

Endurance PE Series Permanent-Magnet DC Motors

2.5-Inch, 4250 RPM, 1/4 HP Fixed or Replaceable Brushes

Allied Motion's Endurance PE series of 2.5-inch (64 mm) diameter PMDC motors are a cost-effective solution for a wide variety of commercial applications like mobile HVAC systems, pumps, and electric actuators.

With rated voltages from 12 up to 115 VDC, and continuous power output up to 1/4 HP, Endurance PE models are especially suitable for battery-fed applications. They offer excellent performance, long service life, and high reliability. Custom design versions are available to exactly match customer needs.

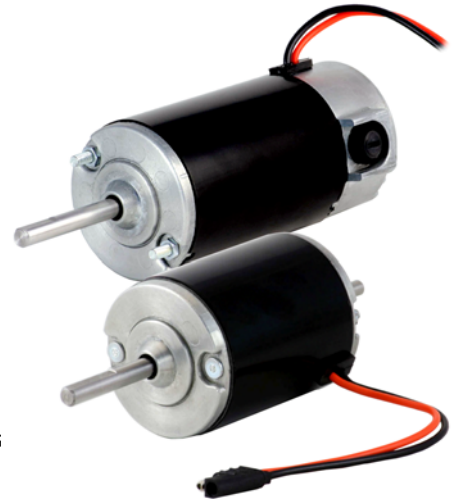
Features and Benefits

- Gloss-black fully-dipped 2.5-inch (64 mm) diameter field housing
- Rugged zinc die-cast end frames
- Continuous power output up to 1/4 HP (0.19kW)
- Continuous speed up to 5000 RPM
- Choice of fixed or replaceable brush models
- Self-aligning bronze sleeve bearings

- IP54 protection level
- Optimized brush life
- Class B (130 °C) winding
- High strength ceramic magnets
- 5/16-inch (8 mm) cold-rolled steel shaft

Options

- Customized shaft, mounting, and lead configurations to match customer application requirements
- Sealed ball bearings
- Stainless steel shaft
- Economical stamped steel end frames versions
- EMI/RFI suppression circuit
- IP56 sealing (wash-down version)
- E-coated, chrome- or zinc-plated housing
- High temperature Class H (180 °C) winding insulation
- Vented end frames
- Overload protection
- Thermal protection
- High strength steel thru bolts



- Reliable 2.5-inch dia. PMDC motor
- 12 to 48 VDC, up to 1/4 HP (Fixed brush)
- 12 to 115 VDC, up to 1/4 HP (Replaceable brush)

SPECIFICATIONS

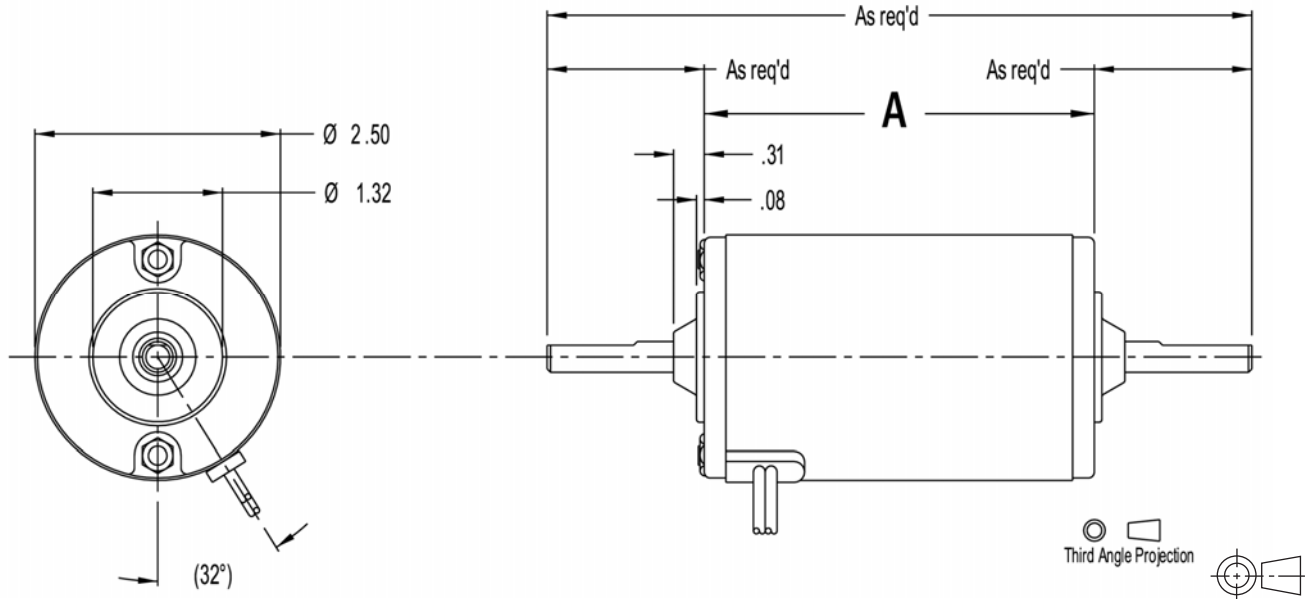
Model	Weight lb (kg)	Cont. Torque oz-in (Nm)	Cont. Speed RPM	No Load Speed RPM	Current			Cont. Power HP (W)
					Pk A	Cont. A	NL A	
PE2000Q	1.0 (0.46)	10 (0.07)	3000	3300	7	3.5	1	0.03 (22)
PE2200Q	1.5 (0.68)	20 (0.14)	2600	3200	7	5	1	0.05 (38)
PE2300Q	2.0 (0.91)	30 (0.21)	3150	3900	12	9	1.5	0.09 (70)
PE2400Q	2.5 (1.13)	40 (0.28)	2950	3800	14	11	2	0.12 (87)
PE2600Q	3.0 (1.36)	50 (0.35)	3500	4250	20	16	2	0.17 (129)
PE2700Q	3.5 (1.59)	60 (0.42)	2800	4000	20	16	2	0.17 (129)
PE2800Q	4.0 (1.81)	60 (0.42)	3400	3800	20	16	2.5	0.20 (150)

Values above are nominal for a 12 volt DC motor. Contact Allied Motion for specific model performance.

PMDC Motors

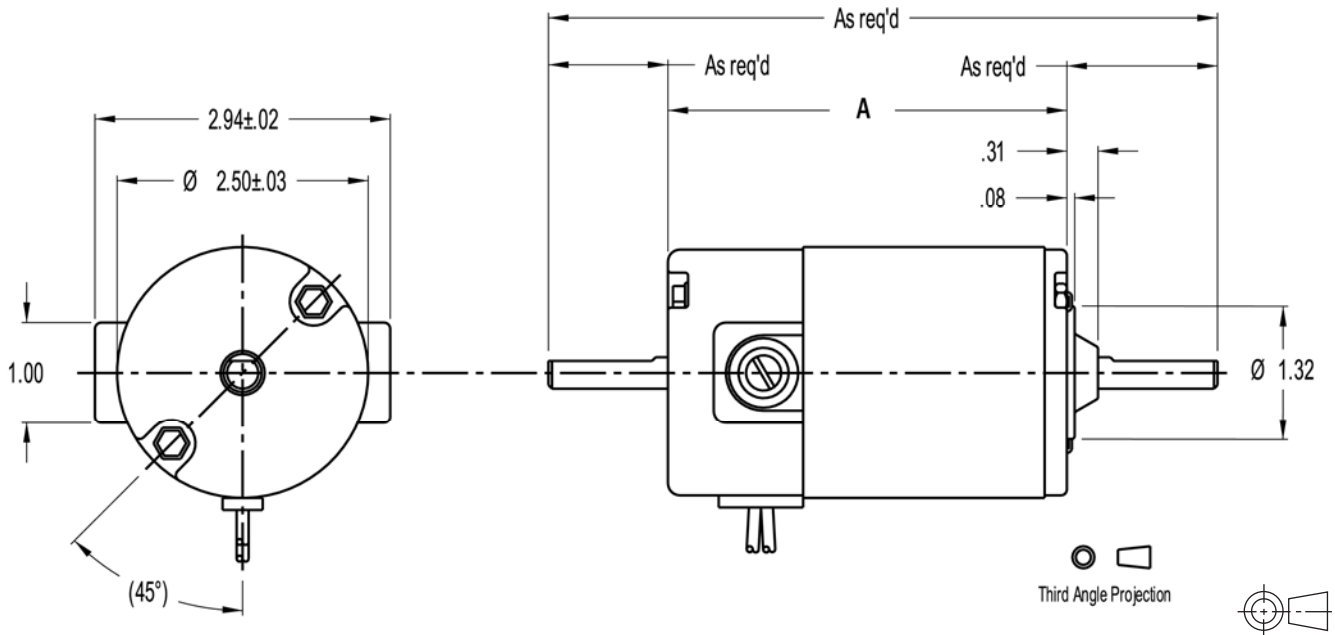
Endurance PE Series Permanent-Magnet DC Motors

DIMENSIONS (PE FIXED BRUSH)



MODEL	PE20000Q	PE22000Q	PE23000Q	PE24000Q	PE26000Q	PE27000Q	PE28000Q
Length A in (mm)	2.97(75.4)	3.22(81.8)	3.47(88.1)	3.72(94.5)	3.97(100.8)	4.28(108.7)	4.47(113.5)

DIMENSIONS (PE REPLACEABLE BRUSH)

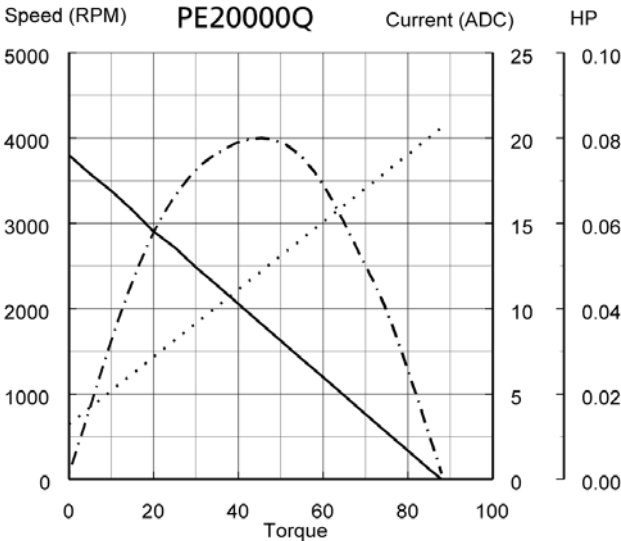


MODEL	PE20000W	PE22000W	PE23000W	PE24000W	PE26000W	PE27000W	PE28000W
Length A in (mm)	3.47(88.1)	3.72 (94.5)	3.97(100.8)	4.22(107.2)	4.47(113.5)	4.72 (119.9)	4.97(126.2)

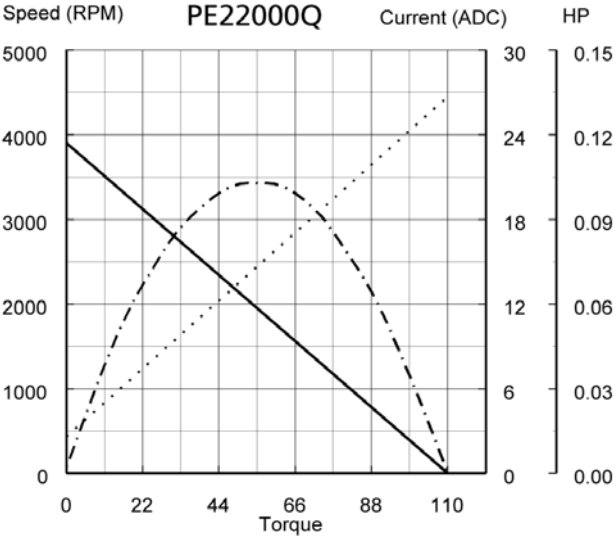
Endurance PE Series Permanent-Magnet DC Motors

PERFORMANCE

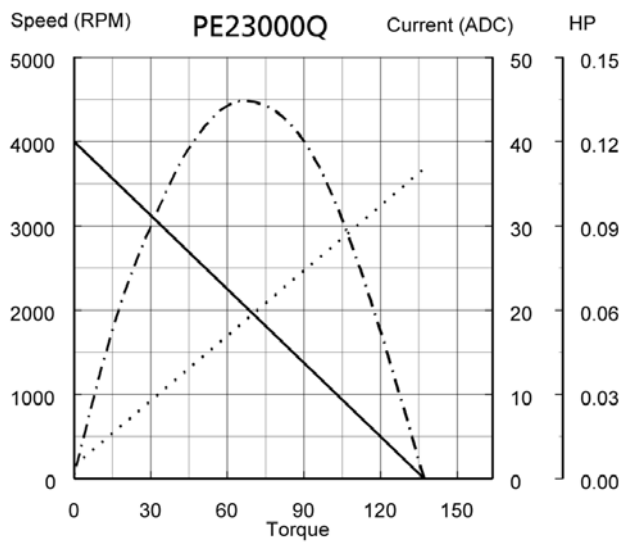
PE20000Q



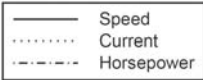
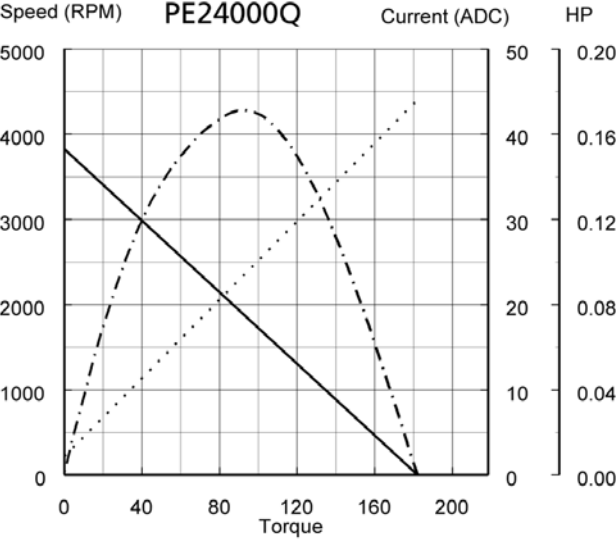
PE22000Q



PE23000Q



PE24000Q

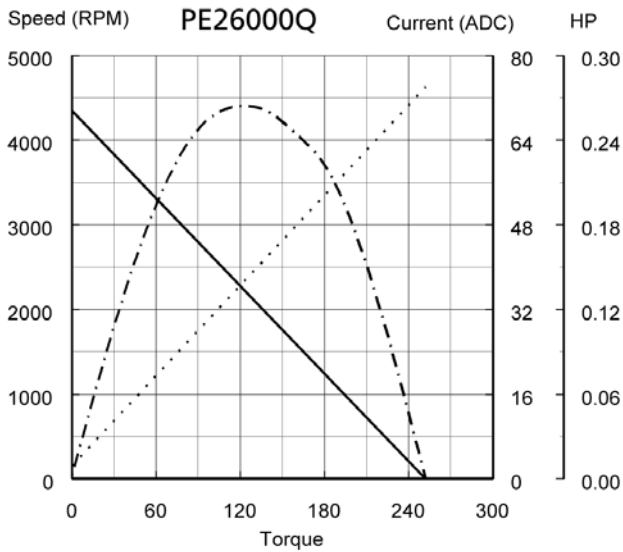


PMDC Motors

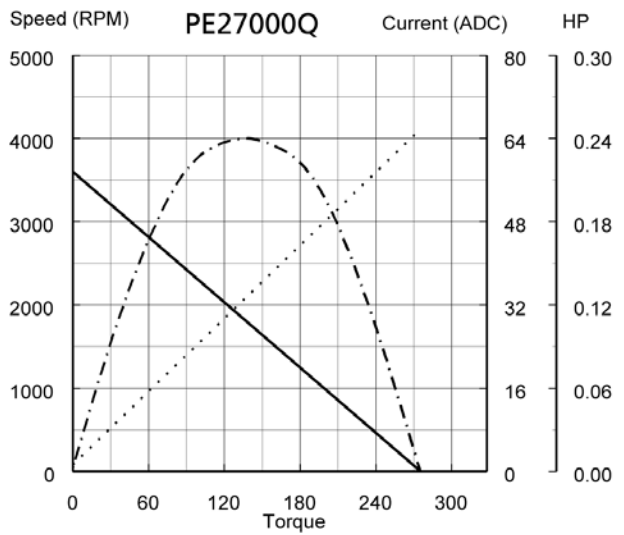
Endurance PE Series Permanent-Magnet DC Motors

PERFORMANCE

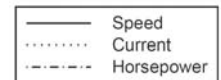
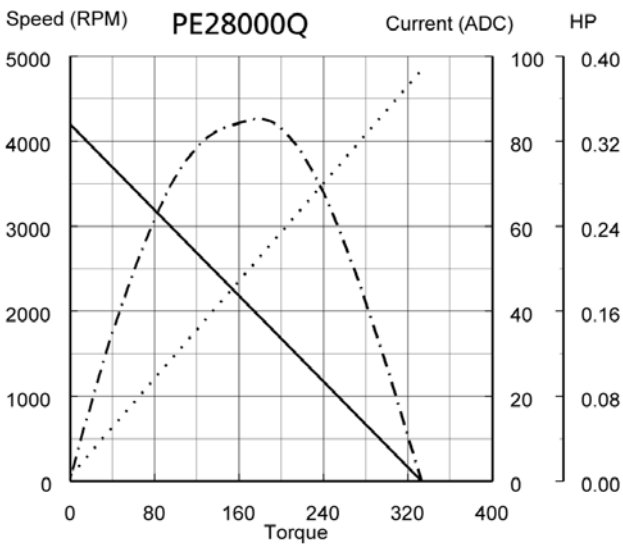
PE26000Q



PE27000Q



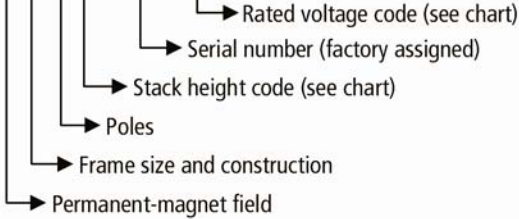
PE28000Q



Endurance PE Series Permanent-Magnet DC Motors

MODEL NUMBERING

P E 2 6 0 0 0 Q



Stack Height (in.)
0 = 0.5
2 = 0.75
3 = 1.0
4 = 1.25
5 = 1.5
6 = 1.75
8 = 2.0

Voltage (VDC)
Q = 12
R = 24
Z = 36
G = 48
W = 115



www.alliedmotion.com

