

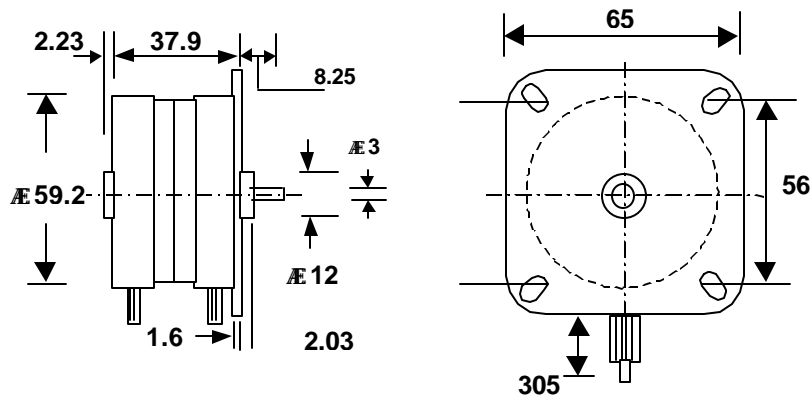
# Reversible synchronous motors

# MV series

The MV86111 series is a low speed AC permanent magnet synchronous motor suitable for applications requiring accurate fixed speed drives. The motor is electrically reversible, the direction of rotation being controlled by means of a phasing capacitor connected as shown below.



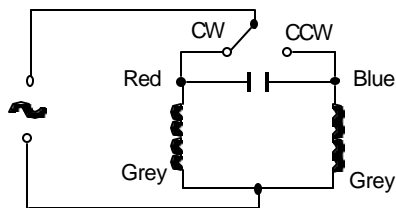
## MV Series dimensions



## MV series specifications

Motor Type	Units	MV86111-P3	MV86111-P4	MV86111-P5
Nominal Voltage	Vac	24	110	220
Current	mA	265	62	32
Phasing capacitor	$\mu$ F	18	0.82	0.22
Min. capacitor voltage	V	64	250	400
Direction of rotation		Reversible		
Output	Rpm	250		
Nom. Working Torque	Ncm	10		
Min. Working Torque	Ncm	7		
Ambient operating temp range	deg C	-20 to +70		
Ambient storage temp range	deg C	-40 to +85		
Bearings		Bronze Sleeve		
Mass	grams	430		

## Connections



Coils in parallel