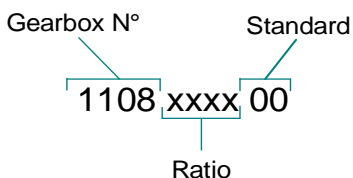


### Technical data

Output shaft material	Stainless steel
Cover material	Plastic
Axial play	0.02 ... 0.22
Max. radial force at 5mm from bearing	5N
Max. axial force	5N

### Part number



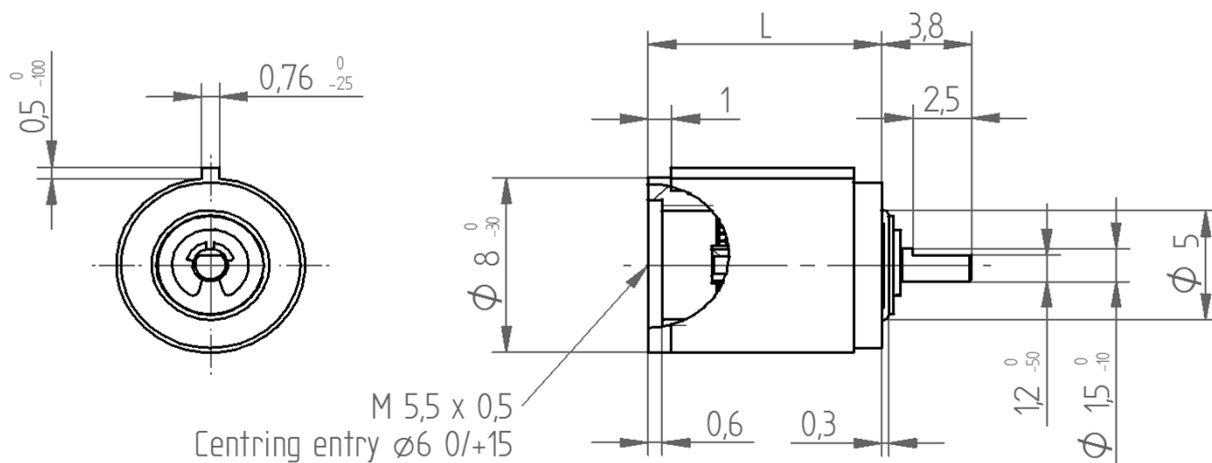
Example with Ratio 75:1  
1108 0075 00

### Characteristics

Ratio	5:1	15:1	25:1	75:1	125:1
No. of gear stages	1	2	2	3	3
Max. torque permanent Nm	0.02				
Max. torque intermittent Nm	0.04				
Dir. of rotation entrance - exit	=				
Mass g	1.8	2.3		2.7	
Lenght L	6	7.7		9.9	

Other ratio on request  
Other adaptor flange on request

(cotation mm, tolerances µm)



Also available with motor: see page 13

