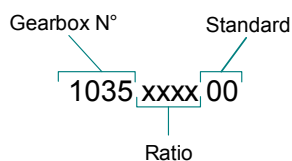


### Technical data

Output shaft material	Stainless steel
Cover material	Steel
Radial play at 5mm from bearing	30µm
Axial play	~0 (no-load)
Average backlash at no-load	0.5°
Max. radial force at 5mm from bearing	500N
Max. axial force	300N

### Part number



Example with Ratio 100:1  
1035 0100 00

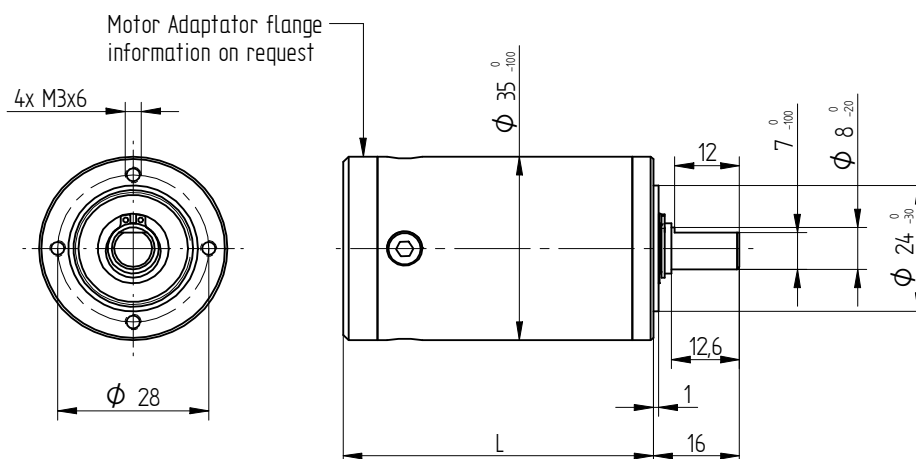
### Characteristics

Ratio	5:1	10:1	20:1	25:1	40:1	50:1	100:1	125:1	200:1	250:1	400:1	500:1
No. of gear stages	1	1	2	2	2	2	2	3	3	3	3	3
Max. torque permanent Nm	5	5	10	10	10	10	10	15	15	15	15	15
Max. torque intermittent Nm	7.5	7.5	15	15	15	15	15	22.5	22.5	22.5	22.5	22.5
Dir. of rotation entrance - exit	=	=	=	=	=	=	=	=	=	=	=	=
Mass g	~130		~205					~275				
Length gearbox L mm	48.1		57.6					67.1				

Other ratio on request

(cotation mm, tolerances µm)

Other adaptor flange on request



Also available with motor: see page 16

