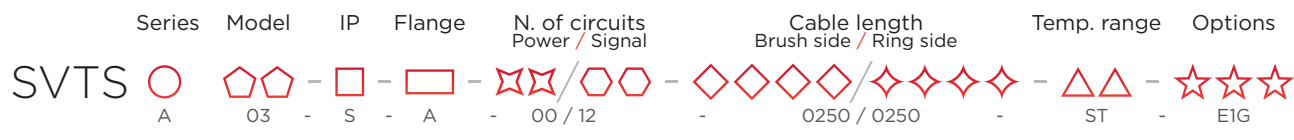


SLIP RINGS



Part number



Series

- A / Capsule Slip Rings
- B / Faston Slip Rings
- C / Through-Bore Slip Rings
- D / Stainless Steel Slip Rings
- E / Frameless Slip Rings
- F / Flat Slip Rings

IP grade

- R / IP00
- S / IP51
- T / IP54
- U / IP65

Power circuits

See specific section for available multiples

Cable length / Brush side

SVTS A /
Custom cable length increase
possible as multiple of 250mm

SVTS B, C, D, E, F /
Custom cable length increase
possible as multiple of 500mm

Temperature range

ST / -20°C +80°C

ET / -40°C +80°C

Special Options

SVTS A 03

- 001 / 4A circuits
- 002 / 8A circuits
- 003 / 10A circuits
- 004 / 20A circuits
- E1M / 100 BaseT Ethernet
- E1G / 1000 BaseT Ethernet

SVTS A 04

- E1M / 100 BaseT Ethernet
- E1G / 1000 BaseT Ethernet

SVTS A 06

- Coax cable
- 01* / RG174
- 02* / RG316
- 03* / RG178
- 04* / RG179

Connectors

- **1 / MMCX
- **2 / SMA
- **3 / SMB
- **4 / MCX
- **5 / BNC

SVTS C 05

- E1M / 100 BaseT Ethernet
- E1G / 1000 BaseT Ethernet
- OP1 / 6mm air plastic passage
- OP2 / 10mm air plastic passage

SVTS E 01

- 001 / 20A Circuits
- 002 / 40A Circuits

SVTS E 03

- 001 / 20A Circuits
- 002 / 40A Circuits
- 003 / 60A Circuits

SVTS E 02

- 001 / 20A Circuits
- 002 / 40A Circuits

SVTS E 04

- 001 / 20A Circuits
- 002 / 40A Circuits
- 003 / 60A Circuits

Model

01, 02, 03, ... / See specific section

Flange

- A / Standard
- B, C, D, E, F / See specific section

Signal circuits

See specific section for available multiples

Cable length / Ring side

SVTS A /
Custom cable length increase
possible as multiple of 250mm

SVTS B, C, D, E, F /
Custom cable length increase
possible as multiple of 500mm

SVTS C Series

Through-bore Slip Rings

SVTS C Series

Through-bore Slip Rings



THROUGH-BORE



MANY CUSTOMISATIONS



POWER, SIGNALS & FIELDBUS

The hollow shaft Slip Rings C Series provides an economical readily available solution when a compact through-bore configuration is required to be easily mounted on the customers' mechanics. Available in a wide range of sizes and models starting from 3 mm up to over 100 mm through-bore diameter. The use of fibre brush technology and the ability to use gold-gold technology for signal circuits ensure long life and low electrical noise allowing high data rate field bus transmission. The extreme flexibility of the C series rotary joints also makes it possible to customise configurations, such as for the use of special cables or connectors, at customer's request.

Benefits

Transmission of electric power/signals and fieldbuses in one unit

Mountable on the shaft

Many sizes

Many customisations

Combinable with fluidic rotary joints and FORJ

Cost-effective

Main applications

Packaging

Automatic machines

Filling machines

Capping machines

Labelling machines

Converting machines

Machine tools

Rotary tables









Robots











Palletisers

Medical / pharmaceutical

Cable reels

Product code (go to page 9 for the detailed coding system)

SVTS C   -  -  -   /   -     /     -   -   

-  Series
-  Model
-  IP grade¹
-  Flange type
-  Power circuits
-  Signal circuits
-  Cable length (brush side)
-  Cable length (ring side)
-  Temperature range²
-  Special options³

¹ IP51 [S]; IP54 [T]; IP65 [U]

² Standard [ST]; Extended [ET]

³ Pneumatic Ø6mm [OP1]; pneumatic Ø10mm [OP2]; Ethernet 100BaseT [E1M]; Ethernet 1000BaseT [E1G]

Features

Current	
Power	10A: AWG16 15A: AWG14 20A: AWG14
Signals	2A: AWG26 5A: AWG22
Voltage	
Power	600 VAC / 600 VDC
Signals	240 VAC / 240 VDC
Cables	Tin plated (power circuits); silver plated (signal circuits) PTFE insulated / colour coded
Cables length	Standard: 500mm*; custom cable length increase possible as multiples of 500mm*
Insulation resistance	
Power	> 1000 MΩ / 500 VDC
Signals	> 500 MΩ / 500 VDC
Dynamic contact resistance	< 0,01 Ω
Bearings	Steel
Housing	ABS (hard plastic)
Temperature	-20°C / +80°C (-40°C as option)
Protection	IP51 (IP54 and IP65 as option)
Expected lifetime	10 ⁸ revolutions** (depending on speed, environmental conditions and size)

*SVTS C 01, SVTS C 02: 250mm

**SVTS C01, SVTS C 02: 10⁷ revolutions

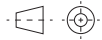
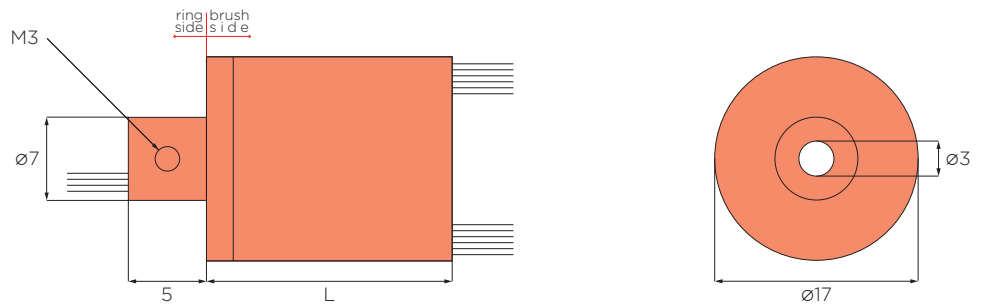
Combinations

Electric	Fieldbus	Fluidic (combined solutions)
Signals	Ethernet	Air
	Profinet	Oil
	Canbus	Gas
	RS 232	Water

Customizations

Cables	Mechanical design	Flange
Materials	Treatments	Cable exits

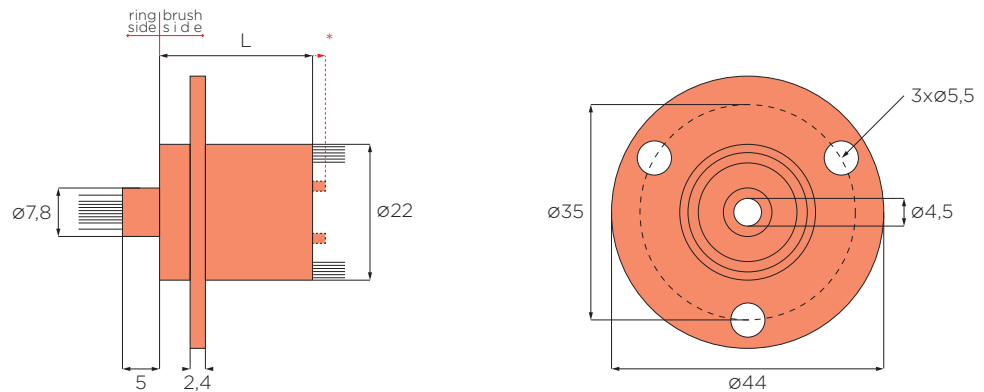
SVTS C 01



Custom cable length increase possible as multiples of 250mm

Model	Number of circuits			L
	Total	Power	Signals 2A	
SVTS C 01-S-A-00/02	2	-	2	13,3
SVTS C 01-S-A-00/03	3	-	3	21
SVTS C 01-S-A-00/06	6	-	6	21
SVTS C 01-S-A-00/08	8	-	8	21

SVTS C 02

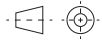
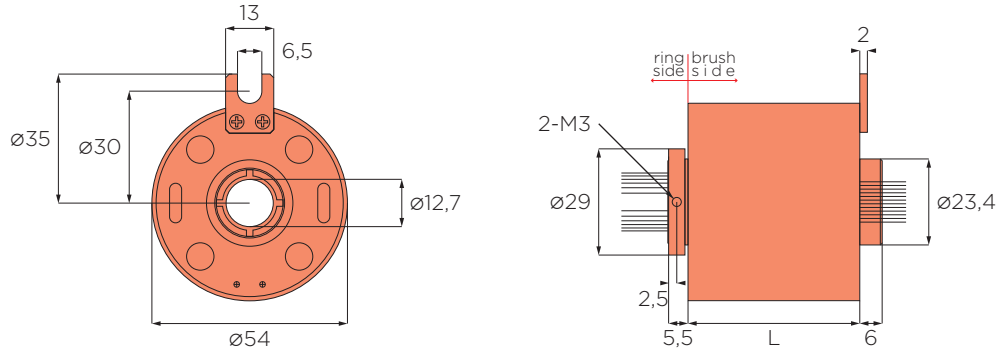


* SVTS C 02-S-A-00/12
Custom cable length increase possible as multiples of 250mm

Model	Number of circuits			L
	Total	Power	Signals 2A	
SVTS C 02-S-A-00/02	2	-	2	19,4
SVTS C 02-S-A-00/06	6	-	6	19,4
SVTS C 02-S-A-00/08	8	-	8	19,4
SVTS C 02-S-A-00/12	12	-	12	26,6 *

All dimensions in millimeters, unless otherwise specified

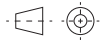
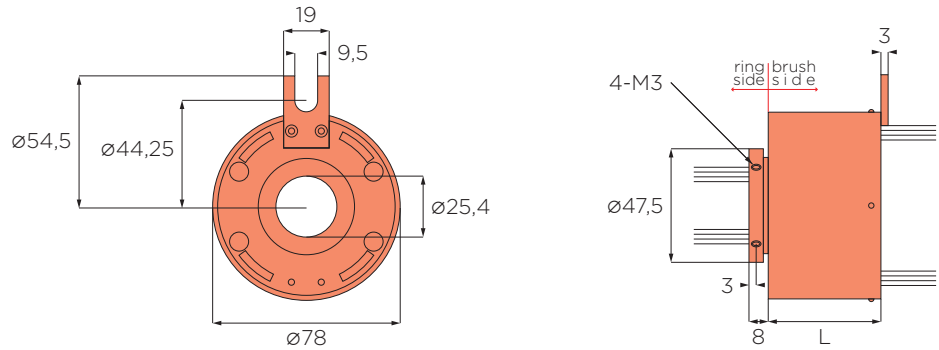
SVTS C 03



Custom cable length increase possible as multiples of 500mm

Model	Number of circuits			L	
	Total	Power	Signals	IP51	IP65
			5A		
SVTS C 03-X-A-00/06	6	-	6	33.5	37.5
SVTS C 03-X-A-00/12	12	-	12	47.5	51.5
SVTS C 03-X-A-00/18	18	-	18	61.5	64.5
SVTS C 03-X-A-00/24	24	-	24	75.5	79.5

SVTS C 04

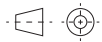
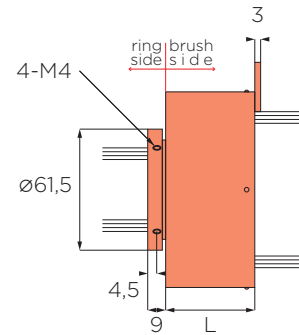
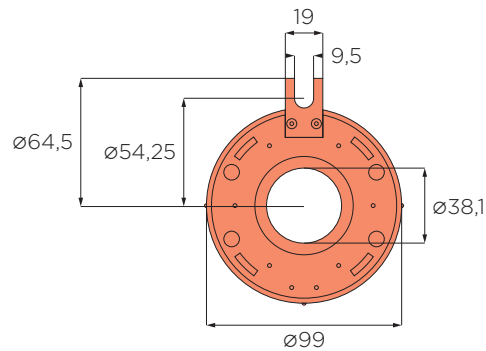


Custom cable length increase possible as multiples of 500mm

Model	Number of circuits			L	
	Total	Power	Signals	IP51	IP65
		15A	2A		
SVTS C 04-X-A-06/00	6	6	-	47	62
SVTS C 04-X-A-00/12	12	-	12	47	62
SVTS C 04-X-A-12/00	12	12	-	71	86
SVTS C 04-X-A-06/12	18	6	12	71	86
SVTS C 04-X-A-00/24	24	-	24	71	86
SVTS C 04-X-A-18/00	18	18	-	95	110
SVTS C 04-X-A-12/12	24	12	12	95	110
SVTS C 04-X-A-06/24	30	6	24	95	110
SVTS C 04-X-A-00/36	36	-	36	95	110
SVTS C 04-X-A-24/00	24	24	-	119	134
SVTS C 04-X-A-18/12	30	18	12	119	134
SVTS C 04-X-A-12/24	36	12	24	119	134
SVTS C 04-X-A-06/36	42	6	36	119	134
SVTS C 04-X-A-00/48	48	-	48	119	134

All dimensions in millimeters, unless otherwise specified

SVTS C 05



Custom cable length increase possible as multiples of 500mm

Model	Number of circuits			L	
	Total	Power 15A	Signals 2A	IP51	IP65
SVTS C 05-X-A-06/00	6	6	-	45.2	65.2
SVTS C 05-X-A-00/12	12	-	12	45.2	65.2
SVTS C 05-X-A-12/00	12	12	-	69.2	89.2
SVTS C 05-X-A-06/12	18	6	12	69.2	89.2
SVTS C 05-X-A-00/24	24	-	24	69.2	89.2
SVTS C 05-X-A-18/00	18	18	-	93.2	113.2
SVTS C 05-X-A-12/12	24	12	12	93.2	113.2
SVTS C 05-X-A-06/24	30	6	24	93.2	113.2
SVTS C 05-X-A-00/36	36	-	36	93.2	113.2
SVTS C 05-X-A-24/00	24	24	-	117.2	137.2
SVTS C 05-X-A-18/12	30	18	12	117.2	137.2
SVTS C 05-X-A-12/24	36	12	24	117.2	137.2
SVTS C 05-X-A-06/36	42	6	36	117.2	137.2
SVTS C 05-X-A-00/48	48	-	48	117.2	137.2

Ethernet option*

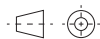
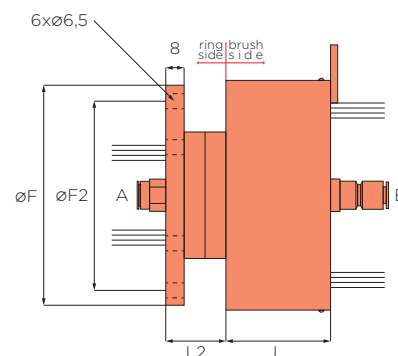
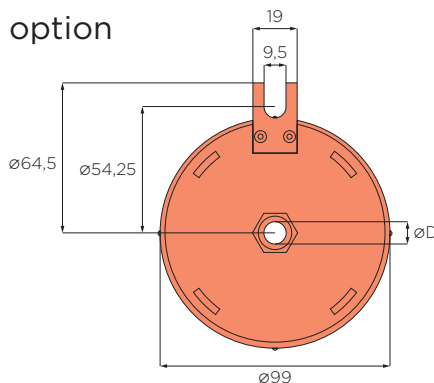
Model	Number of circuits			L	
	Total	Power 15A	Ethernet	IP51	IP65
SVTS C 05-X-A-00/00-...-E1M	5	-	100BaseT	45.2	65.2
SVTS C 05-X-A-06/00-...-E1M	11	6	100BaseT	69.2	89.2
SVTS C 05-X-A-12/00-...-E1M	17	12	100BaseT	93.2	113.2
SVTS C 05-X-A-18/00-...-E1M	23	18	100BaseT	117.2	137.2
SVTS C 05-X-A-00/00-...-E1G	9	-	1000BaseT	69.2	89.2
SVTS C 05-X-A-06/00-...-E1G	15	6	1000BaseT	93.2	113.2
SVTS C 05-X-A-12/00-...-E1G	21	12	1000BaseT	117.2	137.2

*CAT5e Ethernet cable and CAT6 RJ45 connectors included

All dimensions in millimeters, unless otherwise specified

SVTS C 05

Single pneumatic passage option



Custom cable length increase possible as multiples of 500mm

Model	N. of circuits		Dimensions								
	Power	Signal	L		L2		D	F		F2	
	15A	2A	IP51	IP65	IP51	IP65	(pneumatic passage)	IP 51	IP65	IP51	IP65
SVTS C 05-X-A-06/00-...-OP1	6	-	45	65	26	14	6	95	130	81	116
SVTS C 05-X-A-00/12-...-OP1	-	12	45	65	26	14	6	95	130	81	116
SVTS C 05-X-A-12/00-...-OP1	12	-	69	89	26	14	6	95	130	81	116
SVTS C 05-X-A-06/12-...-OP1	6	12	69	89	26	14	6	95	130	81	116
SVTS C 05-X-A-00/24-...-OP1	-	24	69	89	26	14	6	95	130	81	116
SVTS C 05-X-A-18/00-...-OP1	18	-	93	113	26	14	6	95	130	81	116
SVTS C 05-X-A-12/12-...-OP1	12	12	93	113	26	14	6	95	130	81	116
SVTS C 05-X-A-06/24-...-OP1	6	24	93	113	26	14	6	95	130	81	116
SVTS C 05-X-A-00/36-...-OP1	0	36	93	113	26	14	6	95	130	81	116
SVTS C 05-X-A-24/00-...-OP1	24	-	117,5	137,5	26	14	6	95	130	81	116
SVTS C 05-X-A-18/12-...-OP1	18	12	117,5	137,5	26	14	6	95	130	81	116
SVTS C 05-X-A-12/24-...-OP1	12	24	117,5	137,5	26	14	6	95	130	81	116
SVTS C 05-X-A-06/36-...-OP1	6	36	117,5	137,5	26	14	6	95	130	81	116
SVTS C 05-X-A-00/48-...-OP1	-	48	117,5	137,5	26	14	6	95	130	81	116
SVTS C 05-X-A-06/00-...-OP2	6	-	45	65	26	14	10	95	130	81	116
SVTS C 05-X-A-00/12-...-OP2	-	12	45	65	26	14	10	95	130	81	116
SVTS C 05-X-A-12/00-...-OP2	12	-	69	89	26	14	10	95	130	81	116
SVTS C 05-X-A-06/12-...-OP2	6	12	69	89	26	14	10	95	130	81	116
SVTS C 05-X-A-00/24-...-OP2	-	24	69	89	26	14	10	95	130	81	116
SVTS C 05-X-A-18/00-...-OP2	18	-	93	113	26	14	10	95	130	81	116
SVTS C 05-X-A-12/12-...-OP2	12	12	93	113	26	14	10	95	130	81	116
SVTS C 05-X-A-06/24-...-OP2	6	24	93	113	26	14	10	95	130	81	116
SVTS C 05-X-A-00/36-...-OP2	-	36	93	113	26	14	10	95	130	81	116
SVTS C 05-X-A-24/00-...-OP2	24	-	117,5	137,5	26	14	10	95	130	81	116
SVTS C 05-X-A-18/12-...-OP2	18	12	117,5	137,5	26	14	10	95	130	81	116
SVTS C 05-X-A-12/24-...-OP2	12	24	117,5	137,5	26	14	10	95	130	81	116
SVTS C 05-X-A-06/36-...-OP2	6	36	117,5	137,5	26	14	10	95	130	81	116
SVTS C 05-X-A-00/48-...-OP2	-	48	117,5	137,5	26	14	10	95	130	81	116

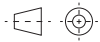
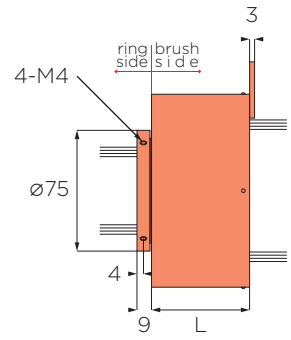
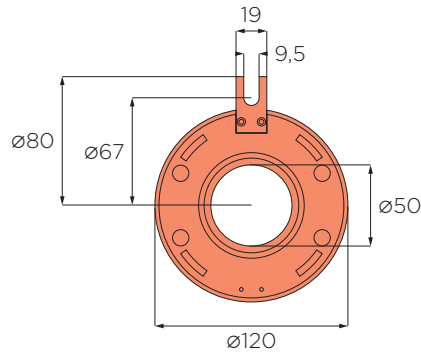
servotecnica

THROUGH-BORE

All dimensions in millimeters, unless otherwise specified

Specifications subject to change.

SVTS C 06

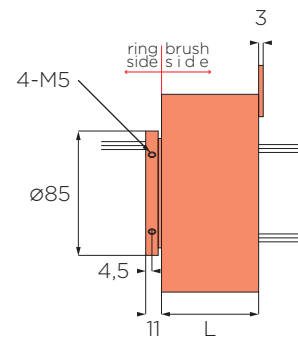
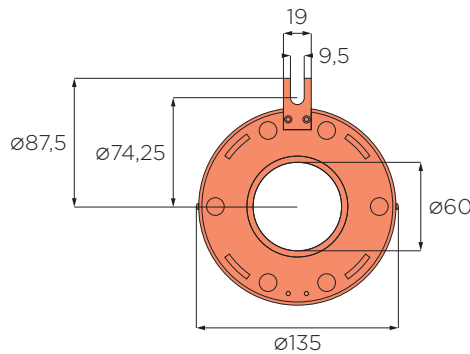


Custom cable length increase possible as multiples of 500mm

Model	Number of circuits			L	IP51	IP65
	Total	Power 20A	Signals 5A			
SVTS C 06-X-A-06/00	6	6	-	60.5	81.5	
SVTS C 06-X-A-00/12	12	-	12	60.5	81.5	
SVTS C 06-X-A-12/00	12	12	-	90.5	111.5	
SVTS C 06-X-A-06/12	18	6	12	90.5	111.5	
SVTS C 06-X-A-00/24	24	-	24	90.5	111.5	
SVTS C 06-X-A-18/00	18	18	-	120.5	141.5	
SVTS C 06-X-A-12/12	24	12	12	120.5	141.5	
SVTS C 06-X-A-06/24	30	6	24	120.5	141.5	
SVTS C 06-X-A-00/36	36	-	36	120.5	141.5	
SVTS C 06-X-A-24/00	24	24	-	150.5	171.5	
SVTS C 06-X-A-18/12	30	18	12	150.5	171.5	
SVTS C 06-X-A-12/24	36	12	24	150.5	171.5	
SVTS C 06-X-A-06/36	42	6	36	150.5	171.5	
SVTS C 06-X-A-00/48	48	-	48	150.5	171.5	
SVTS C 06-X-A-30/00	30	30	-	180.5	201.5	
SVTS C 06-X-A-24/12	36	24	12	180.5	201.5	
SVTS C 06-X-A-18/24	42	18	24	180.5	201.5	
SVTS C 06-X-A-12/36	48	12	36	180.5	201.5	
SVTS C 06-X-A-06/48	54	6	48	180.5	201.5	
SVTS C 06-X-A-00/60	60	-	60	180.5	201.5	
SVTS C 06-X-A-36/00	36	36	-	210.5	231.5	
SVTS C 06-X-A-30/12	42	30	12	210.5	231.5	
SVTS C 06-X-A-24/24	48	24	24	210.5	231.5	
SVTS C 06-X-A-18/36	54	18	36	210.5	231.5	
SVTS C 06-X-A-12/48	60	12	48	210.5	231.5	
SVTS C 06-X-A-06/60	66	6	60	210.5	231.5	
SVTS C 06-X-A-18/36	54	18	36	210.5	231.5	
SVTS C 06-X-A-12/48	60	12	48	210.5	231.5	
SVTS C 06-X-A-06/60	66	6	60	210.5	231.5	
SVTS C 06-X-A-00/72	72	-	72	210.5	231.5	

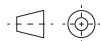
All dimensions in millimeters, unless otherwise specified

SVTS C 07



servotecnica

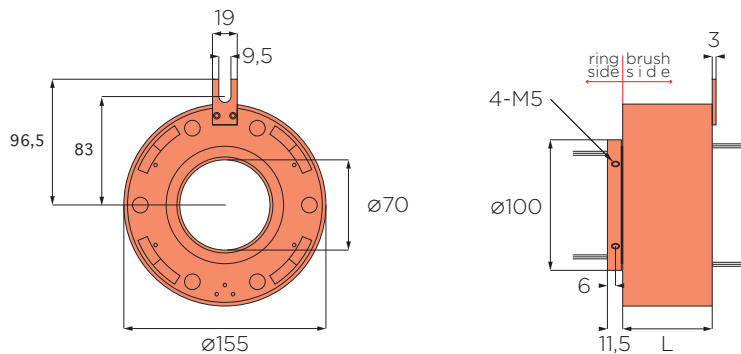
THROUGH-BORE



Custom cable length increase possible as multiples of 500mm

Model	Number of circuits			L	
	Total	Power 20A	Signals 5A	IP51	IP65
SVTS C 07-X-A-06/00	6	6	-	66.5	80.5
SVTS C 07-X-A-00/12	12	-	12	66.5	80.5
SVTS C 07-X-A-12/00	12	12	-	96.5	110.5
SVTS C 07-X-A-06/12	18	6	12	96.5	110.5
SVTS C 07-X-A-00/24	24	-	24	96.5	110.5
SVTS C 07-X-A-18/00	18	18	-	126.5	140.5
SVTS C 07-X-A-12/12	24	12	12	126.5	140.5
SVTS C 07-X-A-06/24	30	6	24	126.5	140.5
SVTS C 07-X-A-00/36	36	-	36	126.5	140.5
SVTS C 07-X-A-24/00	24	24	-	156.5	170.5
SVTS C 07-X-A-18/12	30	18	12	156.5	170.5
SVTS C 07-X-A-12/24	36	12	24	156.5	170.5
SVTS C 07-X-A-06/36	42	6	36	156.5	170.5
SVTS C 07-X-A-00/48	48	-	48	156.5	170.5
SVTS C 07-X-A-30/00	30	30	-	186.5	200.5
SVTS C 07-X-A-24/12	36	24	12	186.5	200.5
SVTS C 07-X-A-18/24	42	18	24	186.5	200.5
SVTS C 07-X-A-12/36	48	12	36	186.5	200.5
SVTS C 07-X-A-06/48	54	6	48	186.5	200.5
SVTS C 07-X-A-00/60	60	-	60	186.5	200.5
SVTS C 07-X-A-36/00	36	36	-	216.5	230.5
SVTS C 07-X-A-30/12	42	30	12	216.5	230.5
SVTS C 07-X-A-24/24	48	24	24	216.5	230.5
SVTS C 07-X-A-18/36	54	18	36	216.5	230.5
SVTS C 07-X-A-12/48	60	12	48	216.5	230.5
SVTS C 07-X-A-06/60	66	6	60	216.5	230.5
SVTS C 07-X-A-00/72	72	-	72	216.5	230.5
SVTS C 07-X-A-42/00	42	42	-	246.5	260.5
SVTS C 07-X-A-36/12	48	36	12	246.5	260.5
SVTS C 07-X-A-30/24	54	30	24	246.5	260.5
SVTS C 07-X-A-24/36	60	24	36	246.5	260.5
SVTS C 07-X-A-18/48	66	18	48	246.5	260.5
SVTS C 07-X-A-12/60	72	12	60	246.5	260.5
SVTS C 07-X-A-06/72	78	6	72	246.5	260.5
SVTS C 07-X-A-00/84	84	-	84	246.5	260.5
SVTS C 07-X-A-48/00	48	48	-	276.5	290.5
SVTS C 07-X-A-42/12	54	42	12	276.5	290.5
SVTS C 07-X-A-36/24	60	36	24	276.5	290.5
SVTS C 07-X-A-30/36	66	30	36	276.5	290.5
SVTS C 07-X-A-24/48	72	24	48	276.5	290.5
SVTS C 07-X-A-18/60	78	18	60	276.5	290.5
SVTS C 07-X-A-12/72	84	12	72	276.5	290.5
SVTS C 07-X-A-06/84	90	6	84	276.5	290.5
SVTS C 07-X-A-00/96	96	-	96	276.5	290.5

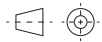
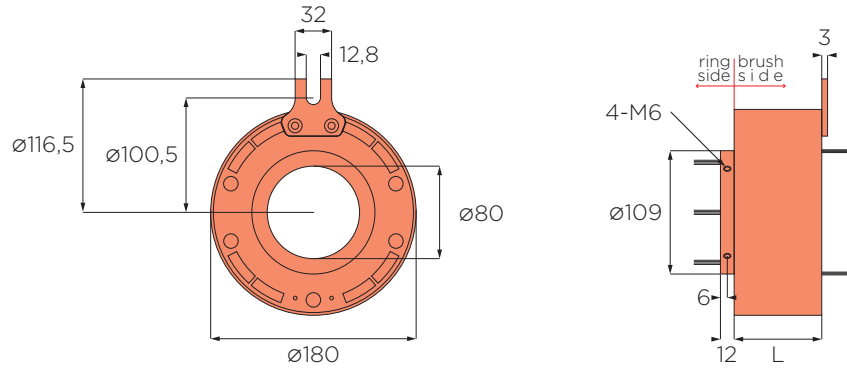
SVTS C 08



Custom cable length increase possible as multiples of 500mm

Model	Number of circuits			L	
	Total	Power 20A	Signals 5A	IP51	IP65
SVTS C 08-X-A-06/00	6	6	-	69.3	93.3
SVTS C 08-X-A-00/12	12	-	12	69.3	93.3
SVTS C 08-X-A-12/00	12	12	-	99.3	123.3
SVTS C 08-X-A-06/12	18	6	12	99.3	123.3
SVTS C 08-X-A-00/24	24	-	24	99.3	123.3
SVTS C 08-X-A-18/00	18	18	-	129.3	153.3
SVTS C 08-X-A-12/12	24	12	12	129.3	153.3
SVTS C 08-X-A-06/24	30	6	24	129.3	153.3
SVTS C 08-X-A-00/36	36	-	36	129.3	153.3
SVTS C 08-X-A-24/00	24	24	-	159.3	183.3
SVTS C 08-X-A-18/12	30	18	12	159.3	183.3
SVTS C 08-X-A-12/24	36	12	24	159.3	183.3
SVTS C 08-X-A-06/36	42	6	36	159.3	183.3
SVTS C 08-X-A-00/48	48	-	48	159.3	183.3
SVTS C 08-X-A-30/00	30	30	-	189.3	213.3
SVTS C 08-X-A-24/12	36	24	12	189.3	213.3
SVTS C 08-X-A-18/24	42	18	24	189.3	213.3
SVTS C 08-X-A-12/36	48	12	36	189.3	213.3
SVTS C 08-X-A-06/48	54	6	48	189.3	213.3
SVTS C 08-X-A-00/60	60	-	60	189.3	213.3
SVTS C 08-X-A-36/00	36	36	-	220	244
SVTS C 08-X-A-30/12	42	30	12	220	244
SVTS C 08-X-A-24/24	48	24	24	220	244
SVTS C 08-X-A-18/36	54	18	36	220	244
SVTS C 08-X-A-12/48	60	12	48	220	244
SVTS C 08-X-A-06/60	66	6	60	220	244
SVTS C 08-X-A-00/72	72	-	72	220	244
SVTS C 08-X-A-42/00	42	42	-	250	274
SVTS C 08-X-A-36/12	48	36	12	250	274
SVTS C 08-X-A-30/24	54	30	24	250	274
SVTS C 08-X-A-24/36	60	24	36	250	274
SVTS C 08-X-A-18/48	66	18	48	250	274
SVTS C 08-X-A-12/60	72	12	60	250	274
SVTS C 08-X-A-06/72	78	6	72	250	274
SVTS C 08-X-A-00/84	84	-	84	250	274
SVTS C 08-X-A-48/00	48	48	-	280	304
SVTS C 08-X-A-42/12	54	42	12	280	304
SVTS C 08-X-A-36/24	60	36	24	280	304
SVTS C 08-X-A-30/36	66	30	36	280	304
SVTS C 08-X-A-24/48S	72	24	48	280	304
SVTS C 08-X-A-18/60	48	18	60	280	304
SVTS C 08-X-A-12/72	84	12	72	280	304
SVTS C 08-X-A-06/84	90	6	84	280	304
SVTS C 08-X-A-00/96	96	-	96	280	304

SVTS C 09



Custom cable length increase possible as multiples of 500mm

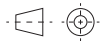
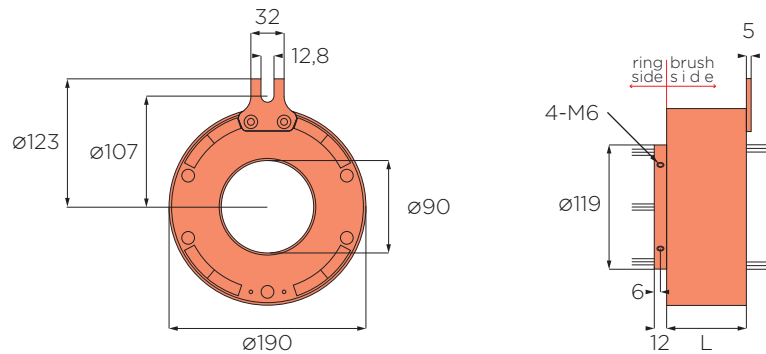
Model	Number of circuits			L	
	Total	Power 20A	Signals 5A	IP51	IP65
SVTS C 09-X-A-06/00	6	6	-	76.5	109
SVTS C 09-X-A-00/12	12	-	12	76.5	109
SVTS C 09-X-A-12/00	12	12	-	106.5	139
SVTS C 09-X-A-06/12	18	6	12	106.5	139
SVTS C 09-X-A-00/24	24	-	24	106.5	139
SVTS C 09-X-A-18/00	18	18	-	136.5	169
SVTS C 09-X-A-12/12	24	12	12	136.5	169
SVTS C 09-X-A-06/24	30	6	24	136.5	169
SVTS C 09-X-A-00/36	36	-	36	136.5	169
SVTS C 09-X-A-24/00	24	24	-	136.5	199
SVTS C 09-X-A-18/12	30	18	12	136.5	199
SVTS C 09-X-A-12/24	36	12	24	136.5	199
SVTS C 09-X-A-06/36	42	6	36	136.5	199
SVTS C 09-X-A-00/48	48	-	48	136.5	199
SVTS C 09-X-A-30/00	30	30	-	196.5	229
SVTS C 09-X-A-24/12	36	24	12	196.5	229
SVTS C 09-X-A-18/24	42	18	24	196.5	229
SVTS C 09-X-A-12/36	48	12	36	196.5	229
SVTS C 09-X-A-06/48	54	6	48	196.5	229
SVTS C 09-X-A-00/60	60	-	60	196.5	229
SVTS C 09-X-A-36/00	36	36	-	227	259
SVTS C 09-X-A-30/12	42	30	12	227	259
SVTS C 09-X-A-24/24	48	24	24	227	259
SVTS C 09-X-A-18/36	54	18	36	227	259
SVTS C 09-X-A-12/48	60	12	48	227	259
SVTS C 09-X-A-06/60	66	6	60	227	259
SVTS C 09-X-A-00/72	72	-	72	227	259
SVTS C 09-X-A-42/00	42	42	-	257	289
SVTS C 09-X-A-36/12	48	36	12	257	289
SVTS C 09-X-A-30/24	54	30	24	257	289
SVTS C 09-X-A-24/36	60	24	36	257	289
SVTS C 09-X-A-18/48	66	18	48	257	289
SVTS C 09-X-A-12/60	72	12	60	257	289
SVTS C 09-X-A-06/72	78	6	72	257	289
SVTS C 09-X-A-00/84	84	-	84	257	289
SVTS C 09-X-A-48/00	48	48	-	287	319
SVTS C 09-X-A-42/12	54	42	12	287	319
SVTS C 09-X-A-36/24	60	36	24	287	319
SVTS C 09-X-A-30/36	66	30	36	287	319
SVTS C 09-X-A-24/48	72	24	48	287	319
SVTS C 09-X-A-18/60	78	18	60	287	319
SVTS C 09-X-A-12/72	84	12	72	287	319
SVTS C 09-X-A-06/84	90	6	84	287	319
SVTS C 09-X-A-00/96	96	-	96	287	319

servotecnica

THROUGH-BORE

All dimensions in millimeters, unless otherwise specified

SVTS C 10

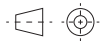
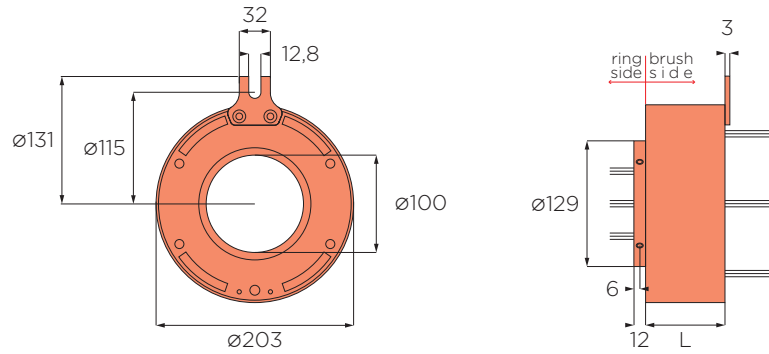


Custom cable length increase possible as multiples of 500mm

Model	Number of circuits			L	
	Total	Power 20A	Signals 5A	IP51	IP65
SVTS C 10-X-A-06/00	6	6	-	76.5	105
SVTS C 10-X-A-00/12	12	-	12	76.5	105
SVTS C 10-X-A-12/00	12	12	-	106.5	135
SVTS C 10-X-A-06/12	18	6	12	106.5	135
SVTS C 10-X-A-00/24	24	-	24	106.5	135
SVTS C 10-X-A-18/00	18	18	-	106.5	165
SVTS C 10-X-A-12/12	24	12	12	136.5	165
SVTS C 10-X-A-06/24	30	6	24	136.5	165
SVTS C 10-X-A-00/36	36	-	36	136.5	165
SVTS C 10-X-A-24/00	24	24	-	136.5	195
SVTS C 10-X-A-18/12	30	18	12	136.5	195
SVTS C 10-X-A-12/24	36	12	24	136.5	195
SVTS C 10-X-A-06/36	42	6	36	136.5	195
SVTS C 10-X-A-00/48	48	-	48	136.5	195
SVTS C 10-X-A-30/00	30	30	-	196.5	225
SVTS C 10-X-A-24/12	36	24	12	196.5	225
SVTS C 10-X-A-18/24	42	18	24	196.5	225
SVTS C 10-X-A-12/36	48	12	36	196.5	225
SVTS C 10-X-A-06/48	54	6	48	196.5	225
SVTS C 10-X-A-00/60	60	-	60	196.5	225
SVTS C 10-X-A-36/00	36	36	-	227	255.5
SVTS C 10-X-A-30/12	42	30	12	227	255.5
SVTS C 10-X-A-24/24	48	24	24	227	255.5
SVTS C 10-X-A-18/36	54	18	36	227	255.5
SVTS C 10-X-A-12/48	60	12	48	227	255.5
SVTS C 10-X-A-06/60	66	6	60	227	255.5
SVTS C 10-X-A-00/72	72	-	72	227	255.5
SVTS C 10-X-A-42/00	42	42	-	257	285.5
SVTS C 10-X-A-36/12	48	36	12	257	285.5
SVTS C 10-X-A-30/24	54	30	24	257	285.5
SVTS C 10-X-A-24/36	60	24	36	257	285.5
SVTS C 10-X-A-18/48	66	18	48	257	285.5
SVTS C 10-X-A-12/60	72	12	60	257	285.5
SVTS C 10-X-A-06/72	78	6	72	257	285.5
SVTS C 10-X-A-00/84	84	-	84	257	285.5
SVTS C 10-X-A-48/00	48	48	-	287	315.5
SVTS C 10-X-A-42/12	54	42	12	287	315.5
SVTS C 10-X-A-36/24	60	36	24	287	315.5
SVTS C 10-X-A-30/36	66	30	36	287	315.5
SVTS C 10-X-A-24/48	72	24	48	287	315.5
SVTS C 10-X-A-18/60	78	18	60	287	315.5
SVTS C 10-X-A-12/72	84	12	72	287	315.5
SVTS C 10-X-A-06/84	90	6	84	287	315.5
SVTS C 10-X-A-00/96	96	-	96	287	315.5

All dimensions in millimeters, unless otherwise specified

SVTS C 11



Custom cable length increase possible as multiples of 500mm

Model	Number of circuits			L	
	Total	Power 20A	Signals 5A	IP51	IP65
SVTS C 11-X-A-06/00	6	6	-	81.5	106,5
SVTS C 11-X-A-00/10	10	-	10	81.5	106,5
SVTS C 11-X-A-12/00	12	12	-	113	138
SVTS C 11-X-A-06/10	16	6	10	113	138
SVTS C 11-X-A-00/20	20	-	20	113	138
SVTS C 11-X-A-18/00	18	18	-	144.5	169,5
SVTS C 11-X-A-12/10	22	12	10	144.5	169,5
SVTS C 11-X-A-06/20	26	6	20	144.5	169,5
SVTS C 11-X-A-00/30	30	-	30	144.5	169,5
SVTS C 11-X-A-24/00	24	24	-	176	201
SVTS C 11-X-A-18/10	28	18	10	176	201
SVTS C 11-X-A-12/20	32	12	20	176	201
SVTS C 11-X-A-06/30	36	6	30	176	201
SVTS C 11-X-A-00/40	40	-	40	176	201
SVTS C 11-X-A-30/00	30	30	-	207.5	232,5
SVTS C 11-X-A-24/10	34	24	10	207.5	232,5
SVTS C 11-X-A-18/20	38	18	20	207.5	232,5
SVTS C 11-X-A-12/30	42	12	30	207.5	232,5
SVTS C 11-X-A-06/40	46	6	40	207.5	232,5
SVTS C 11-X-A-00/50	50	-	50	207.5	232,5
SVTS C 11-X-A-36/00	36	36	-	239	264
SVTS C 11-X-A-30/10	40	30	10	239	264
SVTS C 11-X-A-24/20	44	24	20	239	264
SVTS C 11-X-A-18/30	48	18	30	239	264
SVTS C 11-X-A-12/40	52	12	40	239	264
SVTS C 11-X-A-06/50	56	6	50	239	264
SVTS C 11-X-A-00/60	60	-	60	239	264
SVTS C 11-X-A-42/00	42	42	-	270.5	295,5
SVTS C 11-X-A-36/10	46	36	10	270.5	295,5
SVTS C 11-X-A-30/20	50	30	20	270.5	295,5
SVTS C 11-X-A-24/30	54	24	30	270.5	295,5
SVTS C 11-X-A-18/40	58	18	40	270.5	295,5
SVTS C 11-X-A-12/50	62	12	50	270.5	295,5
SVTS C 11-X-A-06/60	66	6	60	270.5	295,5
SVTS C 11-X-A-00/70	70	-	70	270.5	295,5
SVTS C 11-X-A-48/00	48	48	-	302	327
SVTS C 11-X-A-42/10	52	42	10	302	327
SVTS C 11-X-A-36/20	56	36	20	302	327
SVTS C 11-X-A-30/30	60	30	30	302	327
SVTS C 11-X-A-24/40	64	24	40	302	327
SVTS C 11-X-A-18/50	68	18	50	302	327
SVTS C 11-X-A-12/60	72	12	60	302	327
SVTS C 11-X-A-06/70	76	6	70	302	327
SVTS C 11-X-A-00/80	80	-	80	302	327

All dimensions in millimeters, unless otherwise specified

HEADQUARTERS - ITALY



Servotecnica S.p.A.

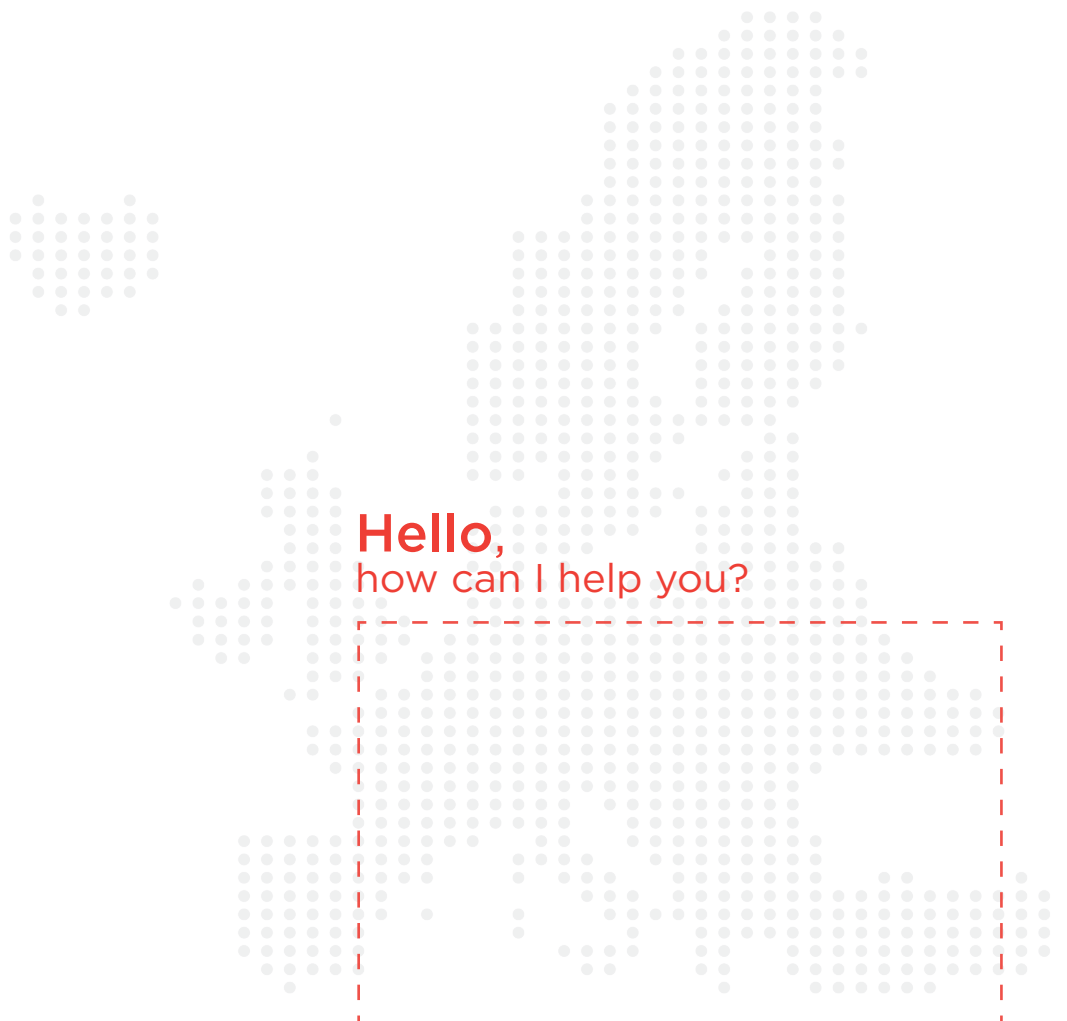
Via E. Majorana, 4
20834 Nova Milanese (MB)
Italy
+39 03624921 | info@servotecnica.com

GERMANY

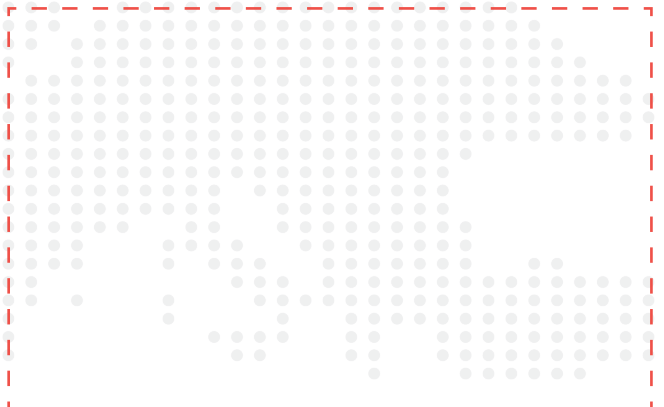


Servotecnica G.m.b.H.

Kelsterbacher Strasse, 20
65479 Raunheim - Deutschland
info@servotecnica.de | www.servotecnica.de



Hello,
how can I help you?



Your local contact