

SLIP RINGS

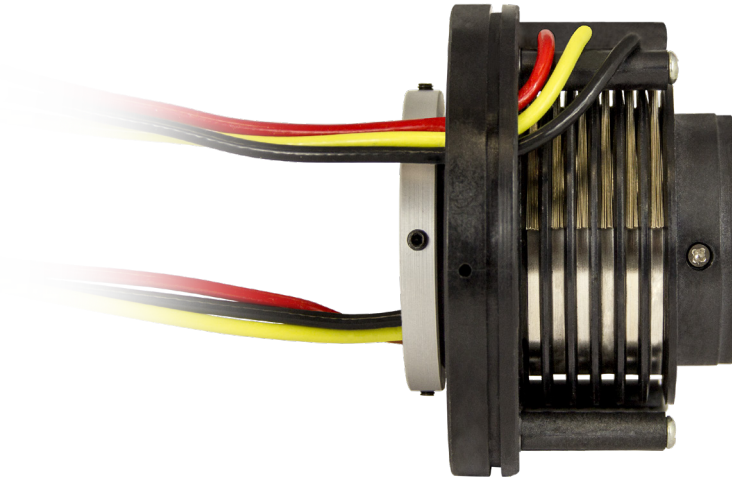



SVTS E Series

Open Slip Rings

SVTS E Series

Open Slip Rings



 COST-EFFECTIVE

 THROUGH-BORE

 EASY INTEGRATION

The open E series provides high performances while keeping the Slip Ring compact in size and at a competitive price. Available with through holes with diameters ranging from 25 mm to 60 mm and currents from 20 A to 60 A.

The affordable rotary joints of the E series are ideal for integration into machine structures where there are no particular risks of contamination.

Benefits

Cost-effective

Easy integration

Main applications

Wind turbines

Rotating billboards

Rotary tables

Cable reels

Palletisers

Product code (go to page 9 for the detailed coding system)

SVTS E - - - / - / - -

- Series
- Model
- IP grade¹
- Flange type
- Power circuits
- Signal circuits
- Cable length (brush side)
- Cable length (ring side)
- Temperature range²
- Special options³

¹ Only IP00

² Only Standard [ST]

³ 20A circuits [001]; 40A circuits [002]; 60A circuits [003]

Features

Current	
Power	20A: 1xAWG14 (each circuit) 40A: 2xAWG14 (each circuit) 60A: 3xAWG14 (each circuit)
Signals	2A: AWG26
Voltage	400 VAC/DC
Cables	Tin plated - PVC insulation
Cables length	Standard: 500mm; custom cable length increase possible as multiples of 500mm
Insulation resistance	> 1000 MΩ/500 VDC
Nominal speed	300 rpm (higher speed upon request)
Dynamic contact resistance	< 0.01Ω
Bearings	Steel
Housing	ABS (hard plastic)
Temperature	-20°C +80°C
Protection	IPO0
Expected lifetime	10 ⁸ revolutions (depending on speed, environmental conditions and size)

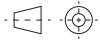
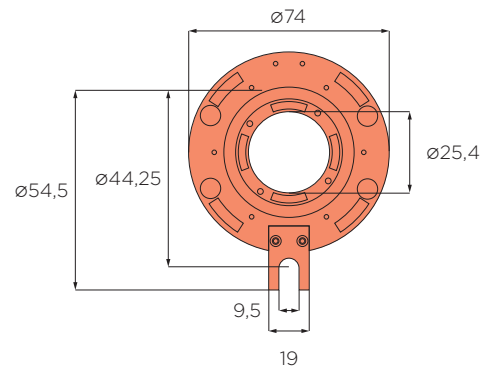
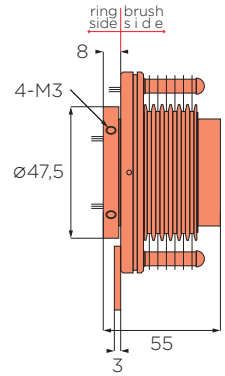
Combinations

Electric	Fluidic (combined solutions)
Signals	Air
Power	Oil
	Gas
	Water

Customizations

Cables		
--------	--	--

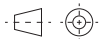
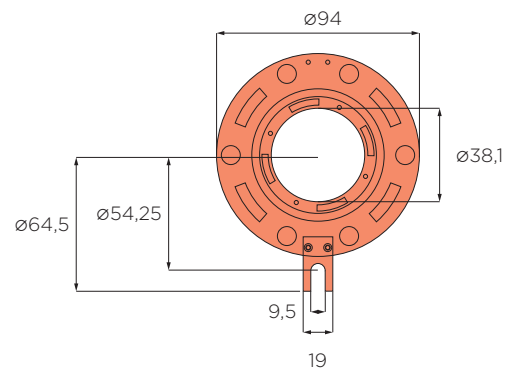
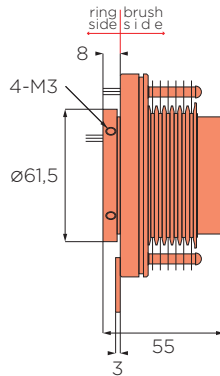
SVTS E 01



Custom cable length increase possible as multiples of 500mm

Model	Number of circuits			Diameters	
	Total	Power		Inside ø (trough-bore)	L
		20A	40A		
SVTS E 01-R-A-03/00-...-001	3	3	-	25,4	55
SVTS E 01-R-A-03/00-...-002	3	-	3	25,4	55

SVTS E 02

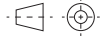
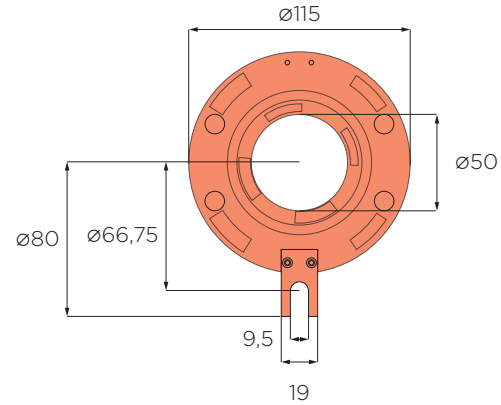
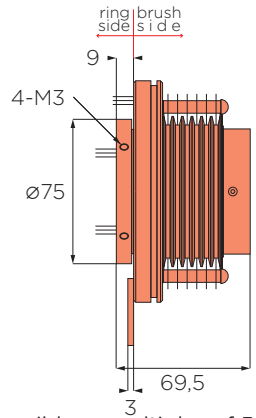


Custom cable length increase possible as multiples of 500mm

Model	Number of circuits			Dimensions	
	Total	Power		Inside ø (trough-bore)	L
		20A	40A		
SVTS E 02-R-A-03/00-...-001	3	3	-	38,1	55
SVTS E 02-R-A-03/00-...-002	3	-	3	38,1	55

All dimensions in millimeters, unless otherwise specified

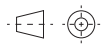
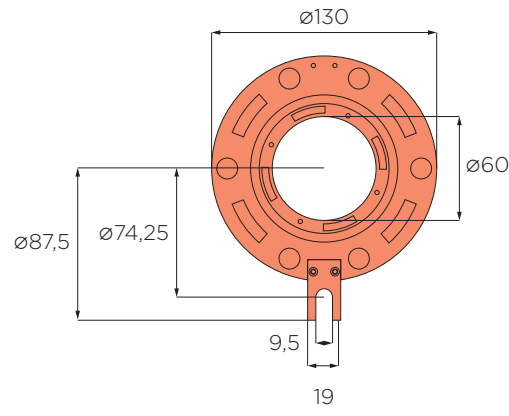
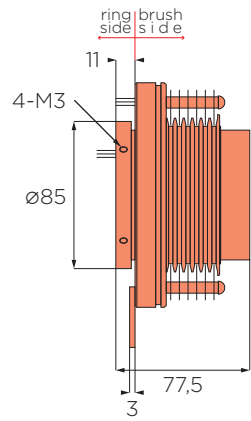
SVTS E 03



Custom cable length increase possible as multiples of 500mm

Model	Number of circuits				Dimensions	
	Total	Power			Inside \varnothing (trough-bore)	L
		20A	40A	60A		
SVTS E 03-R-A-03/00-...-001	3	3	-	-	50	70
SVTS E 03-R-A-03/00-...-002	3	-	3	-	50	70
SVTS E 03-R-A-03/00-...-003	3	-	-	3	50	70

SVTS E 04



Custom cable length increase possible as multiples of 500mm

Model	Number of circuits				Dimensions	
	Total	Power			Inside \varnothing (trough-bore)	L
		20A	40A	60A		
SVTS E 04-R-A-03/00-...-001	3	3	-	-	60	78
SVTS E 04-R-A-03/00-...-002	3	-	3	-	60	78
SVTS E 04-R-A-03/00-...-003	3	-	-	3	60	78

All dimensions in millimeters, unless otherwise specified

Specifications subject to change.

HEADQUARTERS - ITALY



Servotecnica S.p.A.

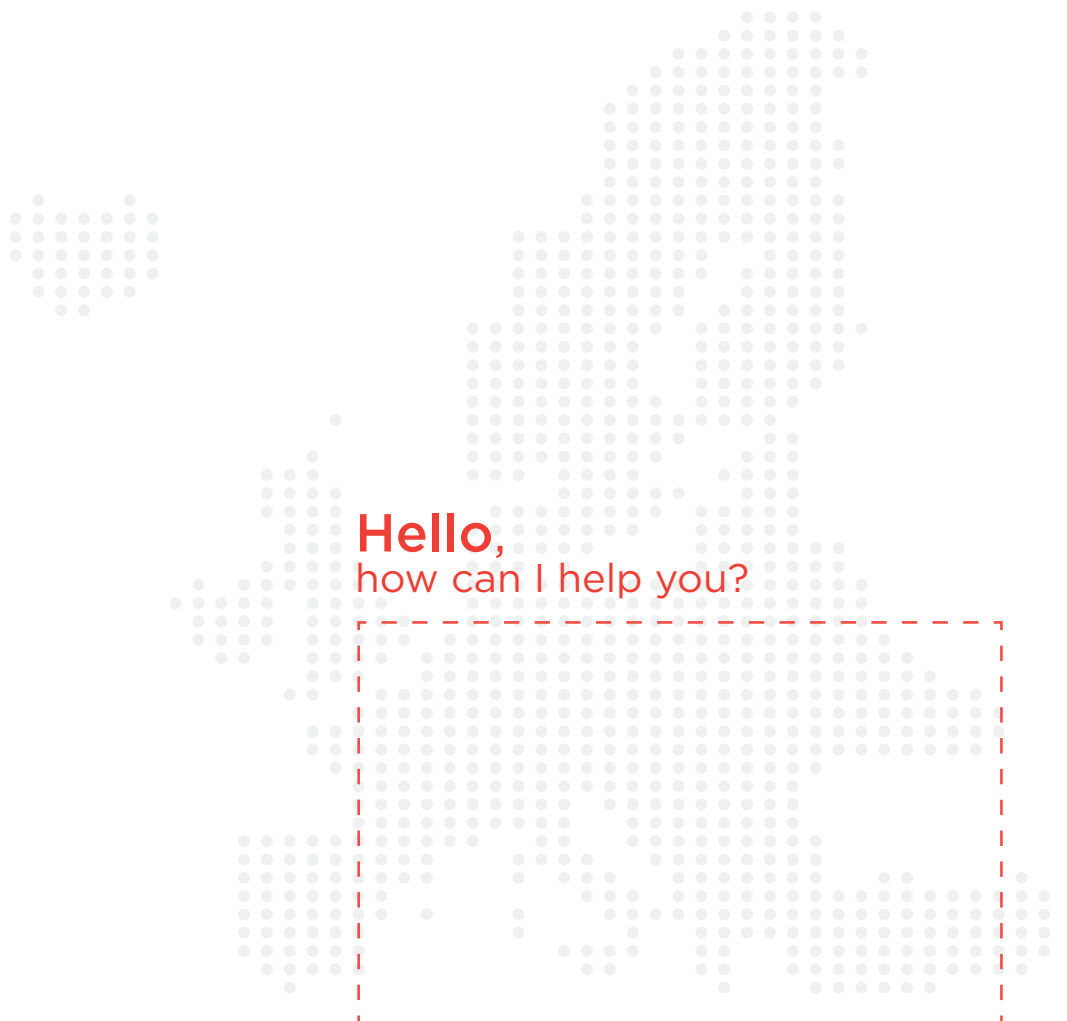
Via E. Majorana, 4
20834 Nova Milanese (MB)
Italy
+39 03624921 | info@servotecnica.com

GERMANY

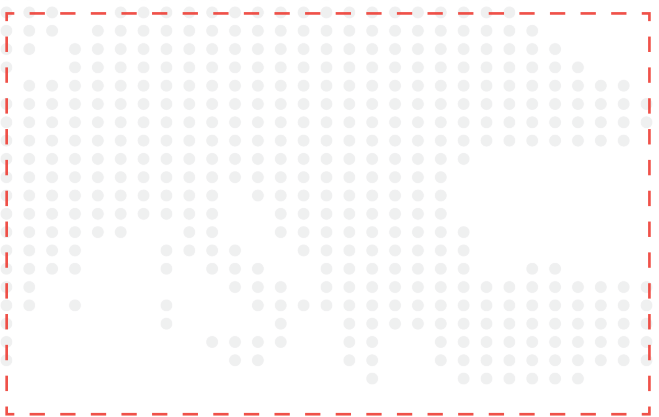


Servotecnica G.m.b.H.

Kelsterbacher Strasse, 20
65479 Raunheim - Deutschland
info@servotecnica.de | www.servotecnica.de



Hello,
how can I help you?



Your local contact