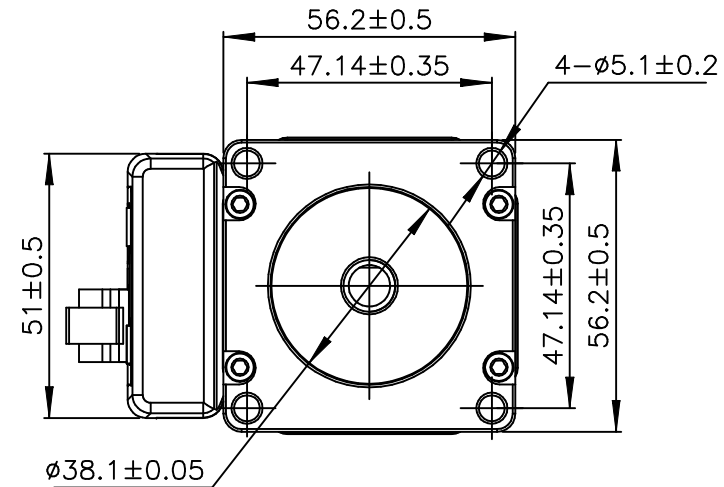
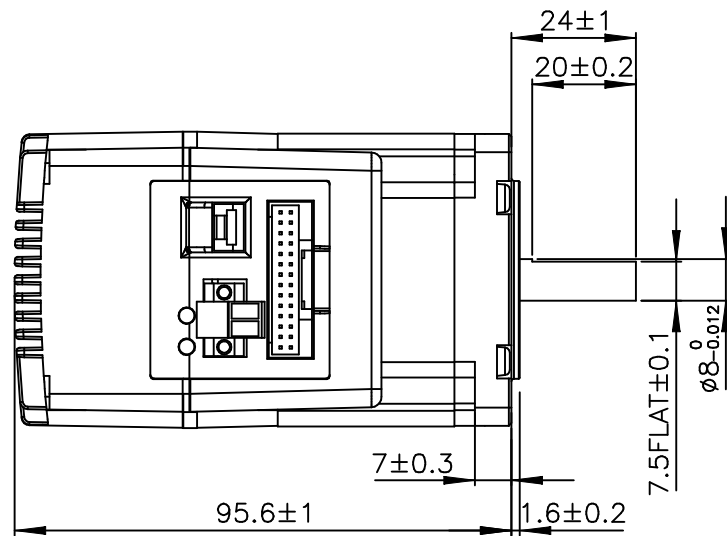
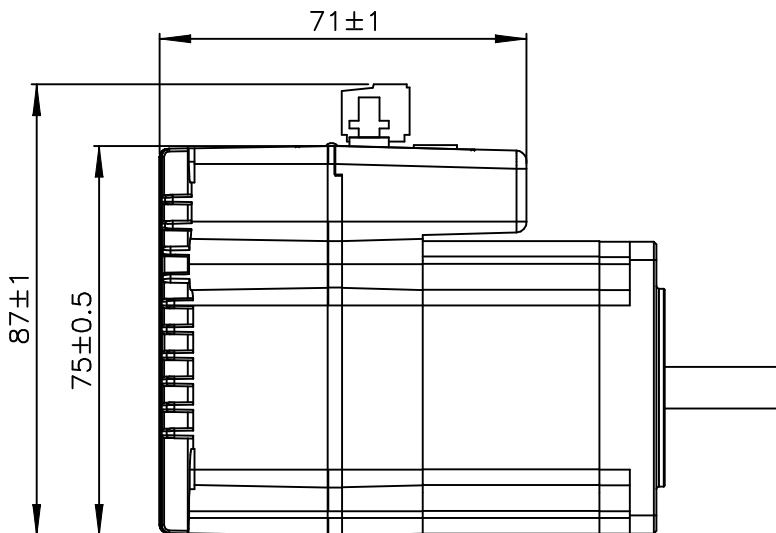


REVISIONS				
ECO NO.	REV	DESCRIPTION	DATE	APPROVED
7135	A	INITIAL RELEASE	1/20/15	J KORDIK



TSM23P-2AG



TOLERANCES		THIRD ANGLE PROJECTION		APPLIED MOTION PRODUCTS, INC.	
*ALL DIMENSIONS IN MM				INTEGRATED STEP MOTOR OUTLINE DRAWING	
DECIMALS: MM X.XX = ±0.13 X.X = ±0.25 ANGLES: MACH. = ±0.5° CHAM. = ±5°					
COMPUTER DATA BASE DRAWING		APPROVALS	DATE	B	DWG NO. TSM23P-2AG
		DRAWN K.KESLER	1/19/15		REV A
		CHECKED -	-		
		APPROVED -	-	SCALE: NONE	SHEET 1 OF 1