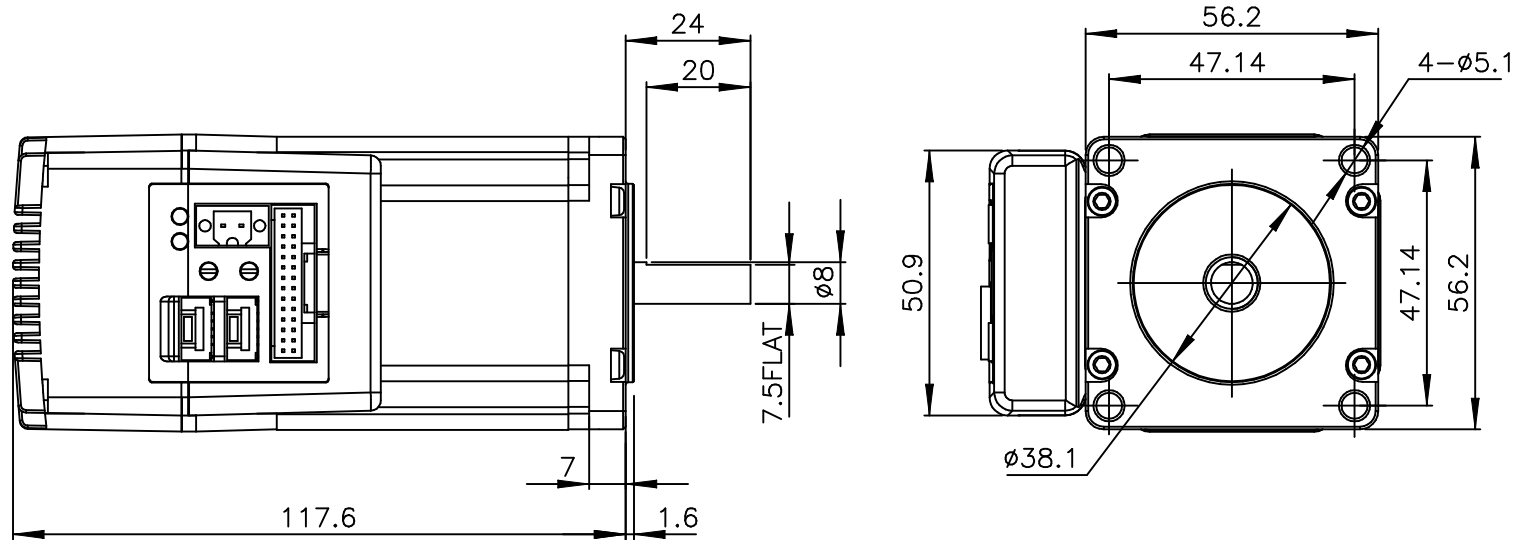
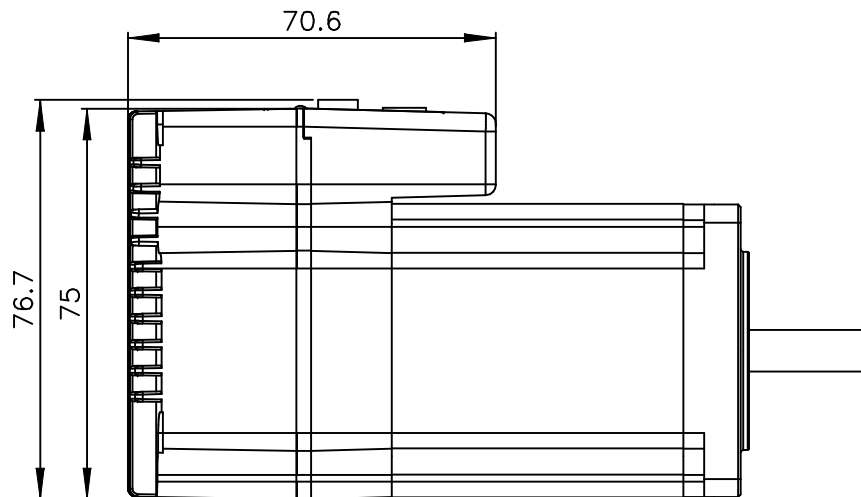

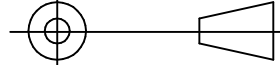


REVISIONS				
ECO NO.	REV	DESCRIPTION	DATE	APPROVED
7135	A	INITIAL RELEASE	1/20/15	J KORDIK



**TSM23C-3CG**



TOLERANCES		THIRD ANGLE PROJECTION		 <b>APPLIED MOTION PRODUCTS, INC.</b>		
*ALL DIMENSIONS IN MM						<b>INTEGRATED STEP MOTOR OUTLINE DRAWING</b>
DECIMALS: MM X.XX = ±0.13 X.X = ±0.25 ANGLES: MACH. = ±0.5° CHAM. = ±5°		APPROVALS	DATE	B	DWG NO. TSM23C-3CG	
COMPUTER DATA BASE DRAWING		DRAWN K.KESLER	1/19/15			SCALE: NONE
		CHECKED -	-			
		APPROVED -	-			