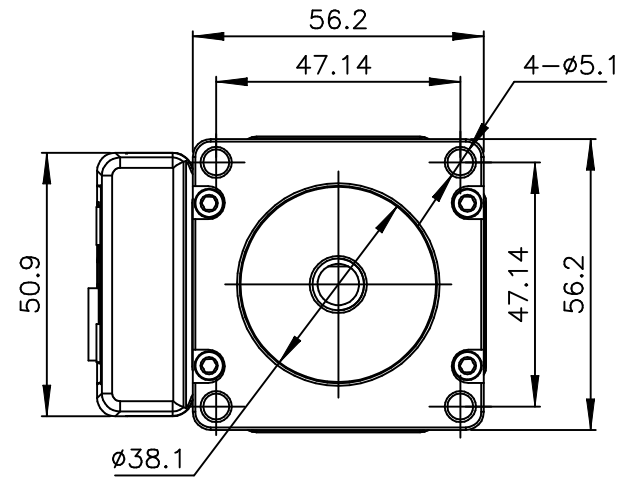
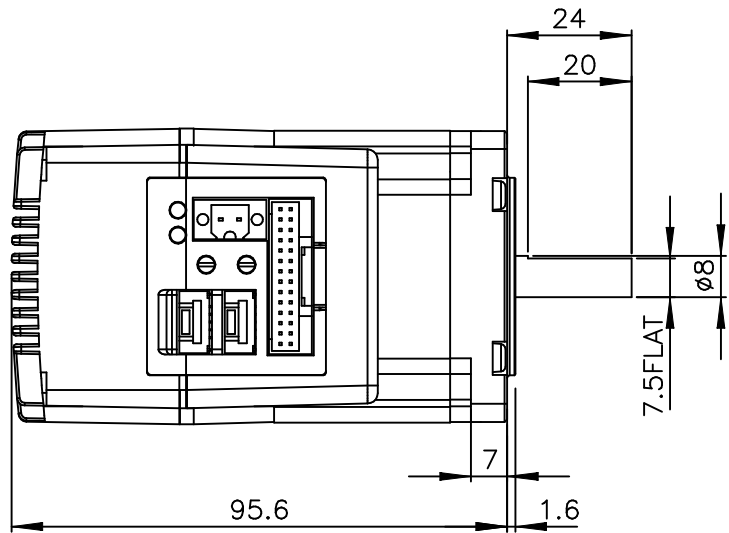
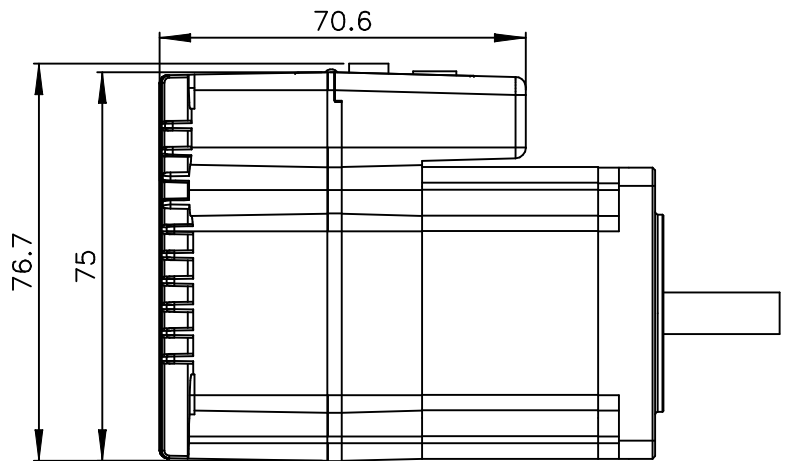


| REVISIONS |     |                 |         |          |
|-----------|-----|-----------------|---------|----------|
| ECO NO.   | REV | DESCRIPTION     | DATE    | APPROVED |
| 7135      | A   | INITIAL RELEASE | 1/20/15 | J KORDIK |



**TSM23C-2CG**



|  |  |                                   |  |  |            |  |
|--|--|-----------------------------------|--|--|------------|--|
| <b>TOLERANCES</b><br>*ALL DIMENSIONS IN MM<br>DECIMALS: MM<br>X.XX = ±0.13<br>X.X = ±0.25<br>ANGLES:<br>MACH. = ±0.5°<br>CHAM. = ±5° |  | <b>THIRD ANGLE PROJECTION</b><br> |  | <br><b>APPLIED MOTION PRODUCTS, INC.</b> |            |  |
| APPROVALS<br>DRAWN K.KESLER<br>CHECKED -<br>APPROVED -   |  | DATE<br>1/19/15<br>-<br>-         |  |  |            | <b>INTEGRATED STEP MOTOR<br/>OUTLINE DRAWING</b> |
| COMPUTER DATA<br>BASE DRAWING  |  | APPROVED -                        |  | B DWG NO.                                | TSM23C-2CG |  |
| SCALE: NONE  |  |                                   |  | SHEET 1 OF 1                             |            |  |