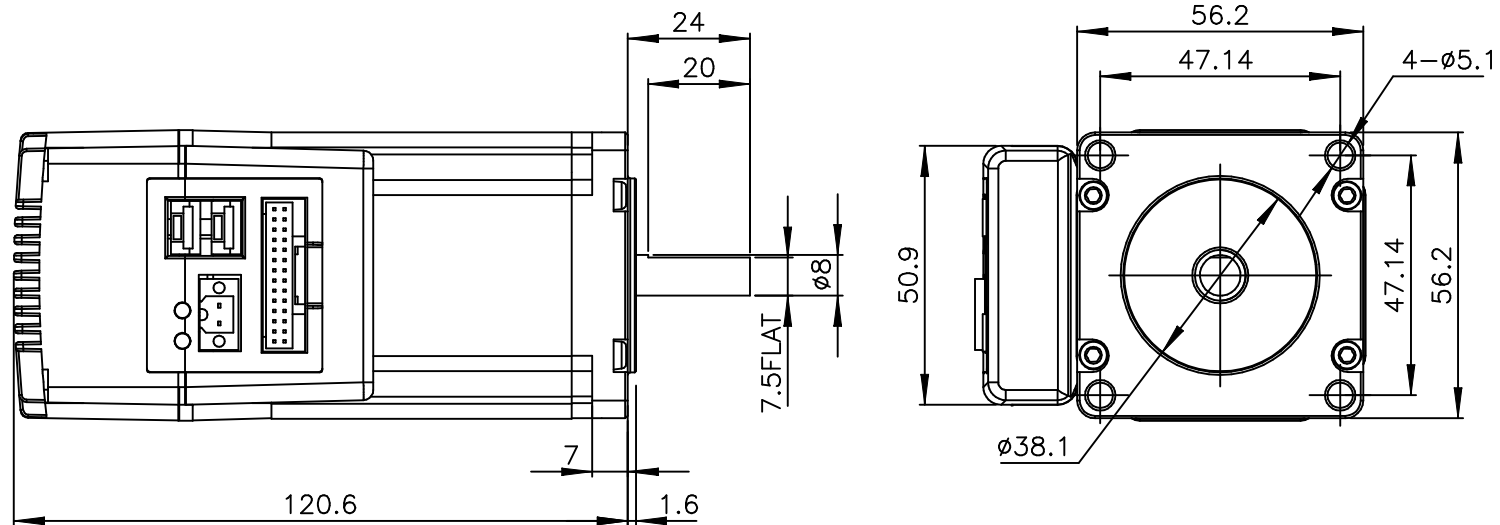
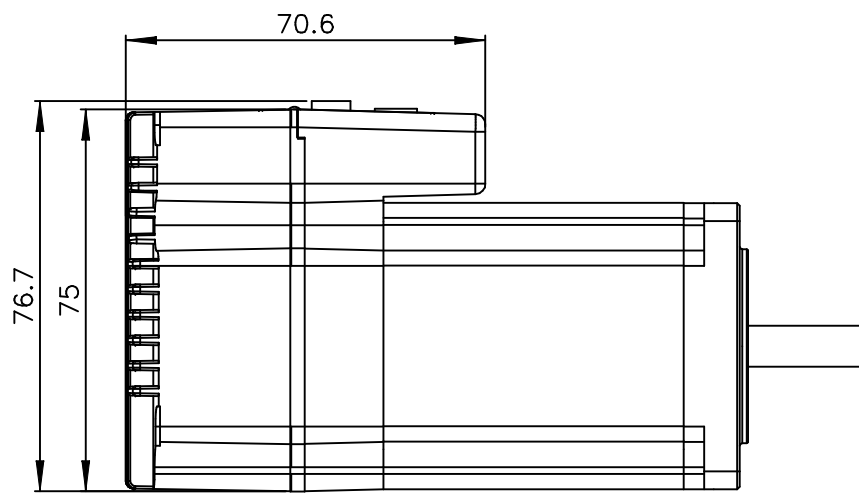


REVISIONS				
ECO NO.	REV	DESCRIPTION	DATE	APPROVED
7135	A	INITIAL RELEASE	1/20/15	J KORDIK



**TSM23Q-4RG**



<b>TOLERANCES</b> *ALL DIMENSIONS IN MM DECIMALS: MM X.XX = ±0.13 X.X = ±0.25 ANGLES: MACH. = ±0.5° CHAM. = ±5°	<b>THIRD ANGLE PROJECTION</b> 		 <b>APPLIED MOTION PRODUCTS, INC.</b>
	APPROVALS DRAWN K. KESLER CHECKED - APPROVED -	DATE 1/19/15	
COMPUTER DATA BASE DRAWING	APPROVED -	DATE -	B DWG NO. TSM23Q-4RG REV A SCALE: NONE SHEET 1 OF 1