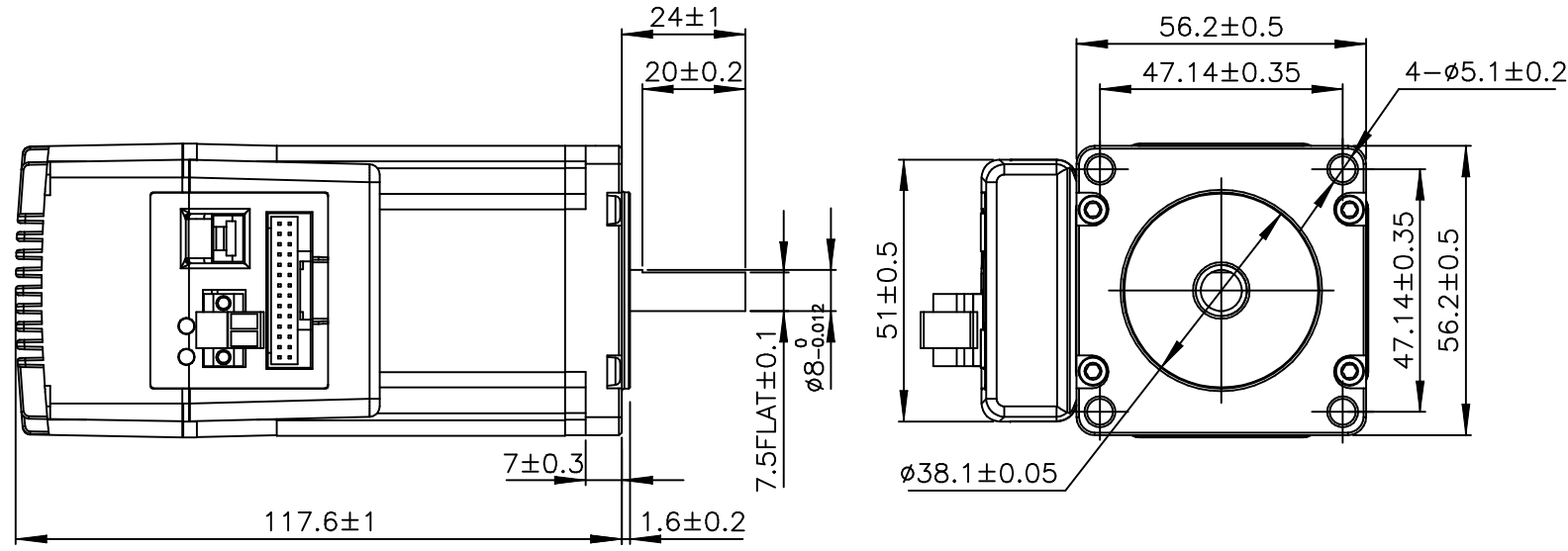
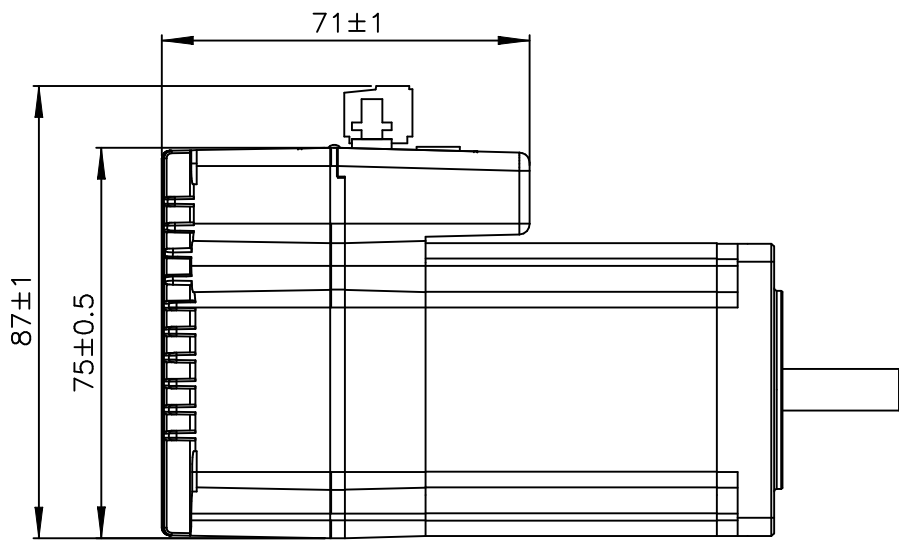


| REVISIONS | | | | |
|-----------|-----|-----------------|---------|----------|
| ECD NO. | REV | DESCRIPTION | DATE | APPROVED |
| 7135 | A | INITIAL RELEASE | 1/20/15 | J KORDIK |



TSM23P-3AG



| TOLERANCES | | THIRD ANGLE PROJECTION | | APPLIED MOTION PRODUCTS, INC. | |
|--|--|------------------------|---------|--|--------------------|
| *ALL DIMENSIONS IN MM | | | | INTEGRATED STEP MOTOR OUTLINE DRAWING | |
| DECIMALS: MM X.XX = ±0.13 X.X = ±0.25 ANGLES: MACH. = ±0.5° CHAM. = ±5° | | | | | |
| COMPUTER DATA BASE DRAWING | | APPROVALS | DATE | B | DWG NO. TSM23P-3AG |
| | | DRAWN K.KESLER | 1/19/15 | REV A | |
| | | CHECKED - | - | SCALE: NONE | |
| | | APPROVED - | - | SHEET 1 OF 1 | |