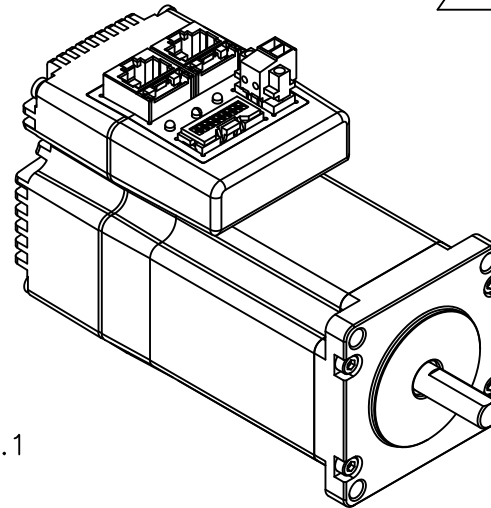
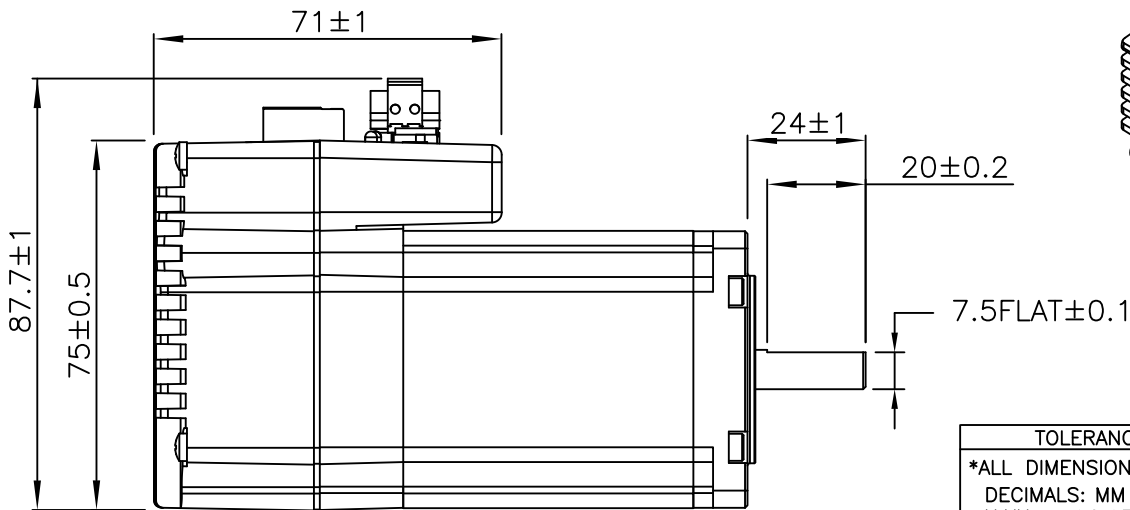
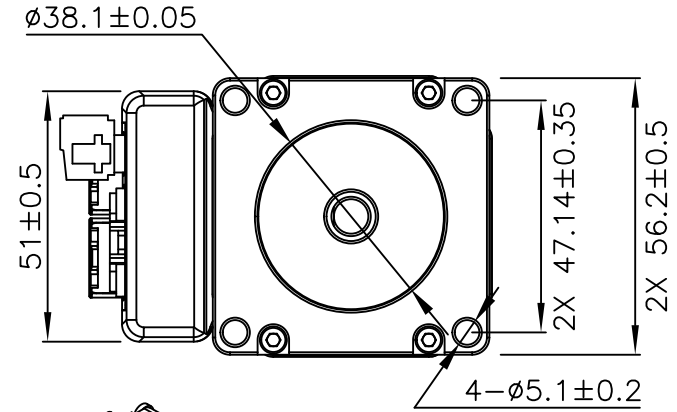
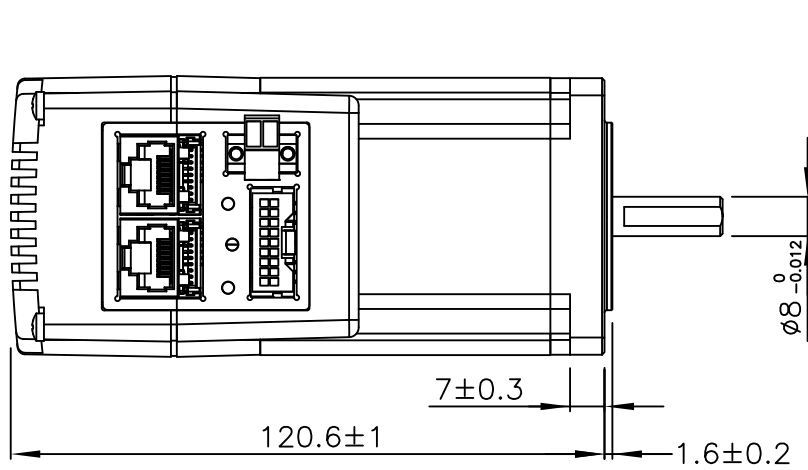

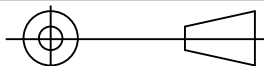


REVISIONS				
ECO NO.	REV	DESCRIPTION	DATE	APPROVED
8152	A	INITIAL RELEASE	2/20/19	LLIU
8244	B	ISO VIEW FIX	5/29/19	LLIU
8255	C	ASSY SCREW HEAD TYPE CHANGE	6/4/19	LLIU



MODELS
TSM23X4G-IP
TSM23X4G-Q

TOLERANCES		THIRD ANGLE PROJECTION		 <b>APPLIED MOTION PRODUCTS, INC.</b>	
*ALL DIMENSIONS IN MM					
DECIMALS: MM X.XX = ±0.13 X.X = ±0.25 ANGLES: MACH. = ±0.5° CHAM. = ±5°		APPROVALS	DATE	B DWG NO. TSM23X4x-x	REV C
COMPUTER DATA BASE DRAWING		DRAWN K.KESLER CHECKED R.JONEZ APPROVED -	6/4/19 6/4/19 -		