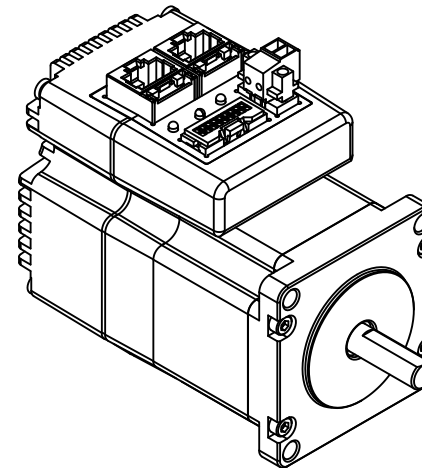
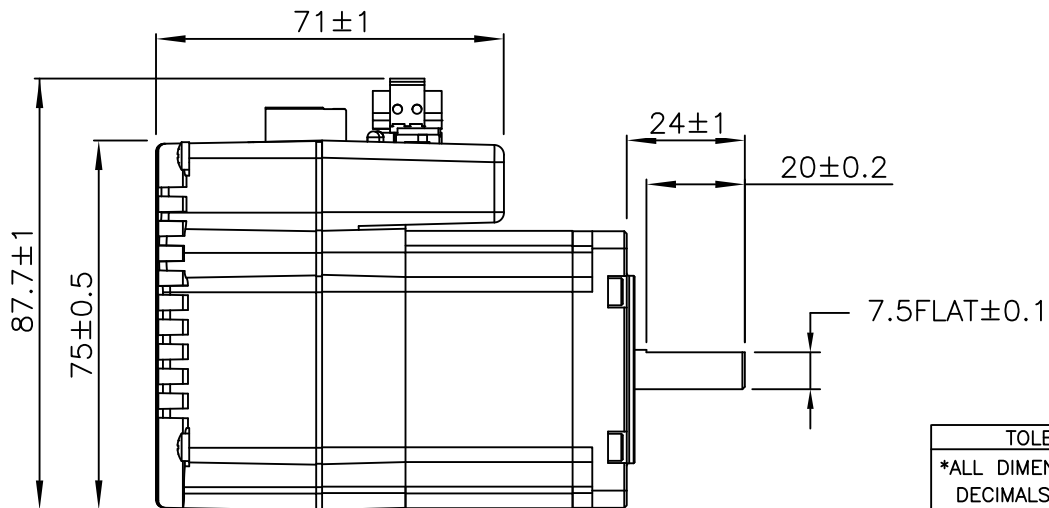
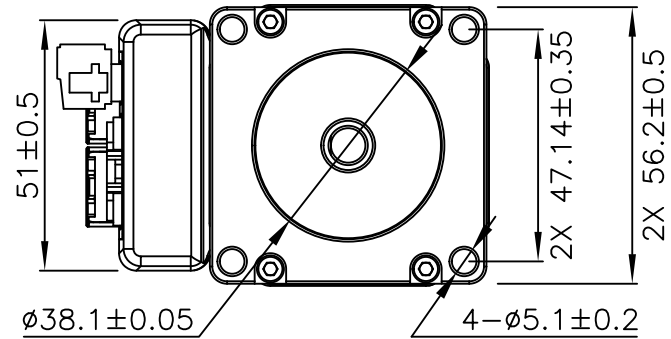
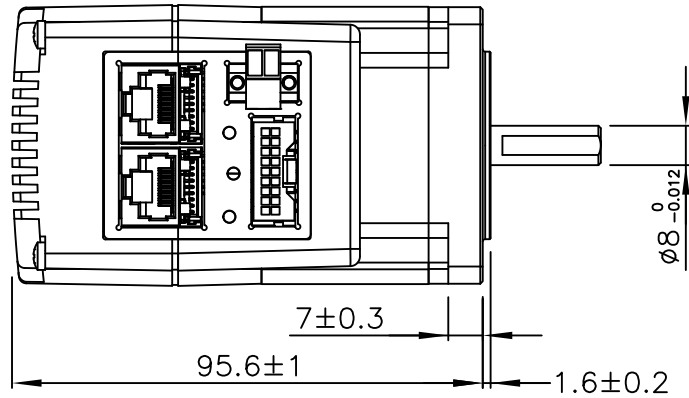


REVISIONS				
ECO NO.	REV	DESCRIPTION	DATE	APPROVED
8152	A	INITIAL RELEASE	2/20/19	LLIU
8244	B	ISO VIEW FIX	5/29/19	LLIU
8255	C	ASSY SCREW HEAD TYPE CHANGE	6/4/19	LLIU



MODELS
TSM23X2G-IP
TSM23X2G-Q

TOLERANCES		THIRD ANGLE PROJECTION		APPLIED MOTION PRODUCTS, INC.	
*ALL DIMENSIONS IN MM					
DECIMALS: MM X.XX = ±0.13 X.X = ±0.25 ANGLES: MACH. = ±0.5° CHAM. = ±5°					
COMPUTER DATA BASE DRAWING		APPROVALS	DATE	INTEGRATED STEP MOTOR OUTLINE DRAWING	
		DRAWN K. KESLER CHECKED R. JONEZ APPROVED -	6/4/19 6/4/19 -		