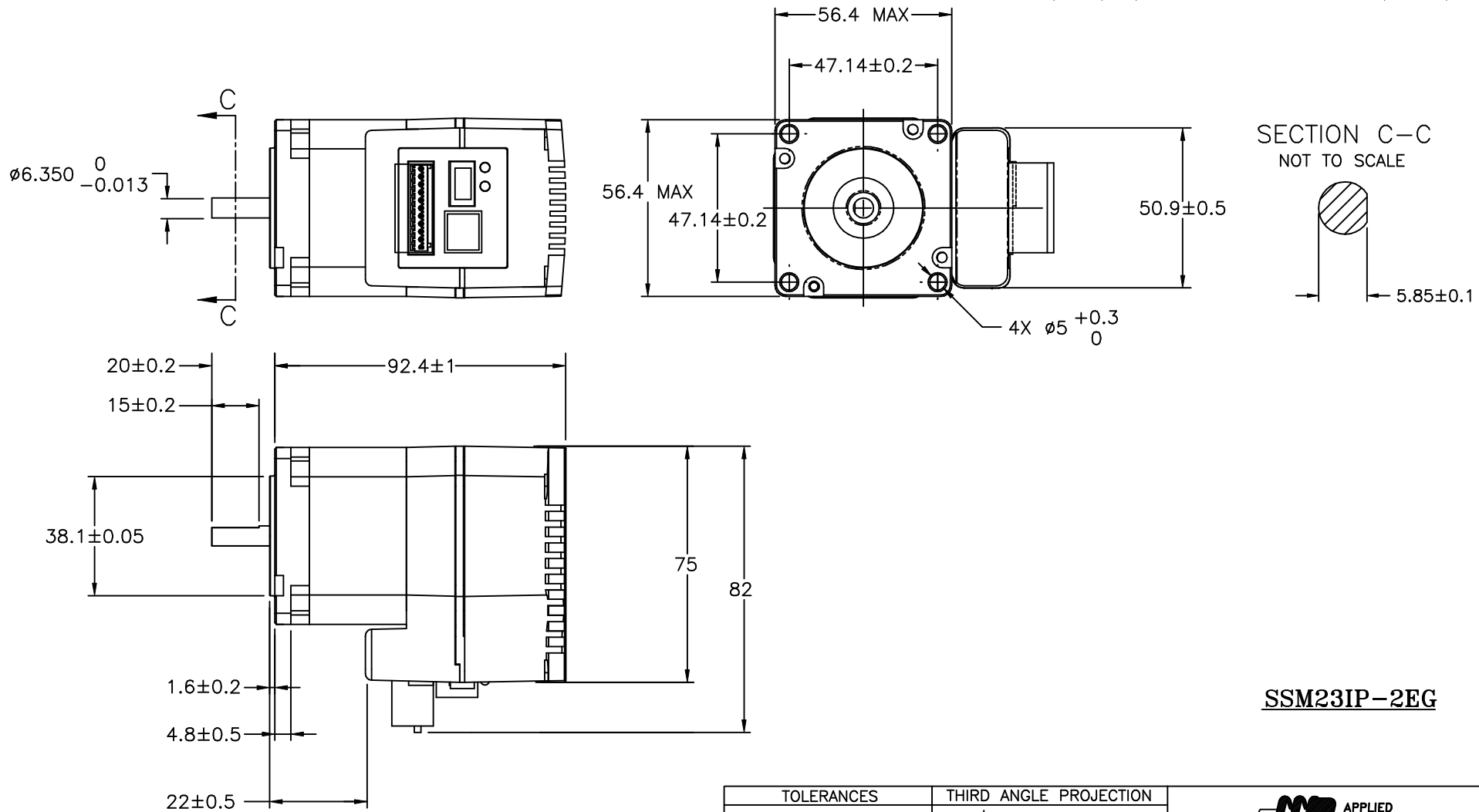


REVISIONS				
ECO NO.	REV	DESCRIPTION	DATE	APPROVED
7179	A	INITIAL RELEASE	3/23/15	J.KORDIK



SSM23IP-2EG

TOLERANCES		THIRD ANGLE PROJECTION		APPLIED MOTION PRODUCTS, INC.		
*ALL DIMENSIONS IN MM				INTEGRATED STEP MOTOR OUTLINE DRAWING		
DECIMALS: MM						
X.XX = ± 0.13		APPROVALS	DATE	PS	DWG NO. SSM23IP-2EG	
X.X = ± 0.25		DRAWN R.JONEZ	3/23/15			REV A
ANGLES:		CHECKED				
MACH. = $\pm 0.5^\circ$		APPROVED		SCALE: SCALE	SHEET 1 OF 1	
CHAM. = $\pm 5^\circ$						
COMPUTER DATA						
BASE DRAWING						