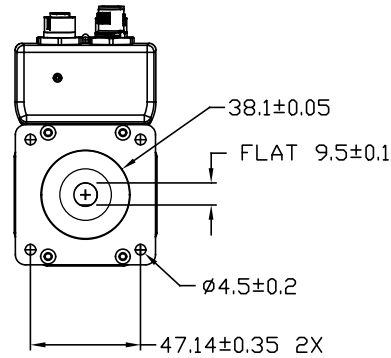
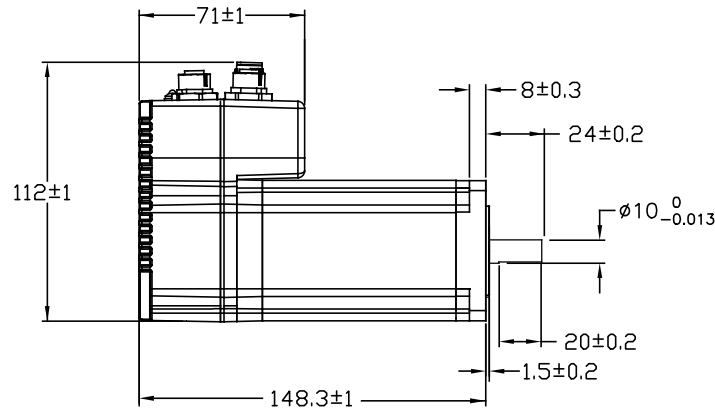
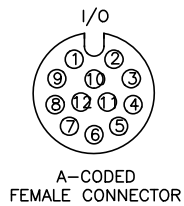


REVISIONS				
ECO NO.	REV	DESCRIPTION	DATE	APPROVED
8422	A	INITIAL RELEASE	2/11/20	L.LIU



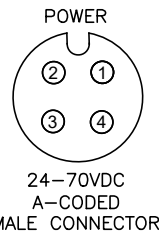
NOTES, UNLESS OTHERWISE SPECIFIED:  
 [1] APPLY LABEL (P/N AND REV) WHERE SHOWN.

I/O CONNECTION CHART	
SIGNAL	PIN
I/O 1+	1
I/O 1-	3
I/O 2+	5
I/O 2-	8
I/O 3+	6
I/O 3-	4
I/O 4+	11
I/O 4-	12
5V 50ma	9
GND	2
Ain	10
GND	7
SHIELD	METAL HOUSING



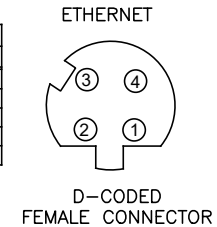
POWER CONNECTION CHART	
PIN	SIGNAL
1	DC+
2	DC-
3	DC+
4	DC-
METAL HOUSING	FRAME GND & SHIELD

MATING CABLE  
3004-277-xM


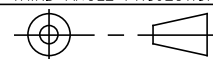


ETHERNET CONNECTION CHART	
PIN	SIGNAL
1	TX+
2	RX+
3	TX-
4	RX-
SHIELD	METAL HOUSING

MATING CABLE  
3004-280-xM



MATING CABLE  
3004-290-xM

TOLERANCES		THIRD ANGLE PROJECTION		 <b>INTEGRATED MOTOR</b>
DECIMALS: INCH [MM] X.XXX = ±.005 X.XX = ±.010 [0.13] X.X = ±.020 [0.25] ANGLES: MACH. = ±5° CHAM. = ±5°		 APPROVALS: _____ DATE: _____ DRAWN: <u>R. JONES</u> 2/5/20 CHECKED: _____		
COMPUTER DATA BASE DRAWING		APPROVED _____		SCALE: NONE SHEET 1 OF 1