

4

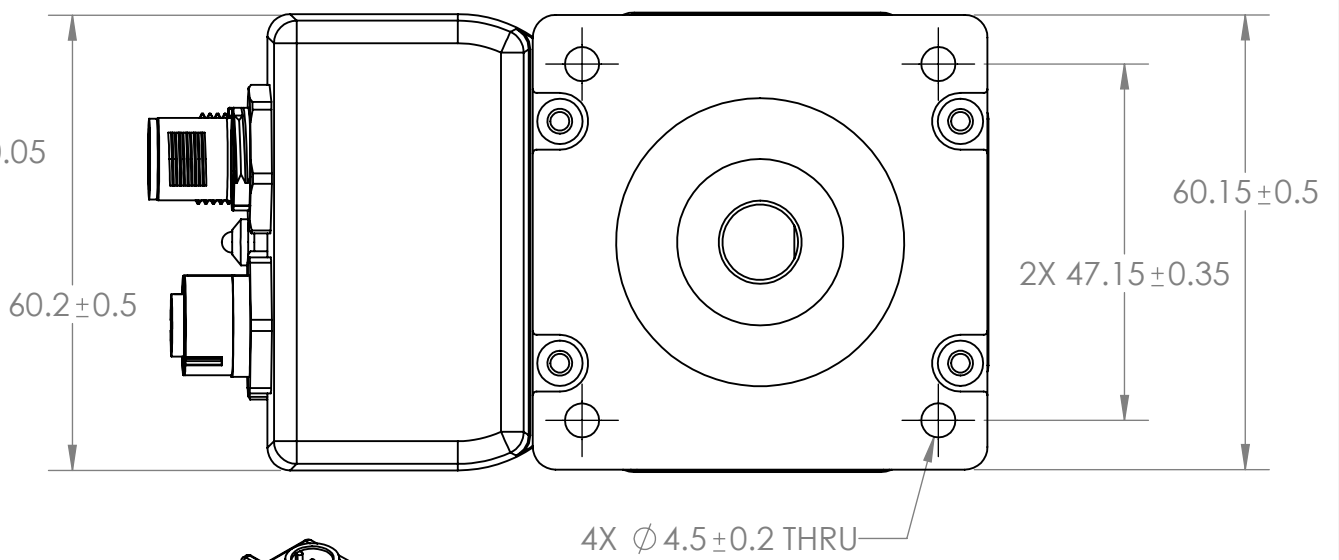
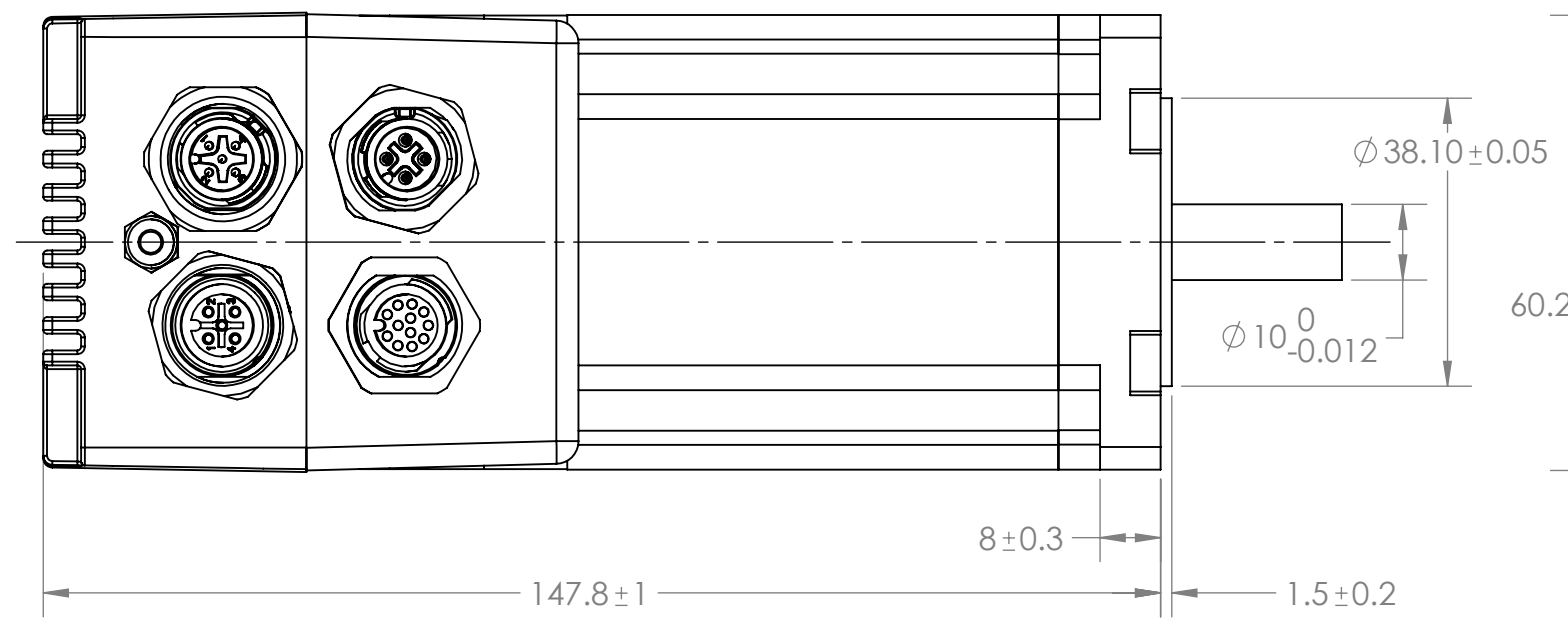
3

2

1

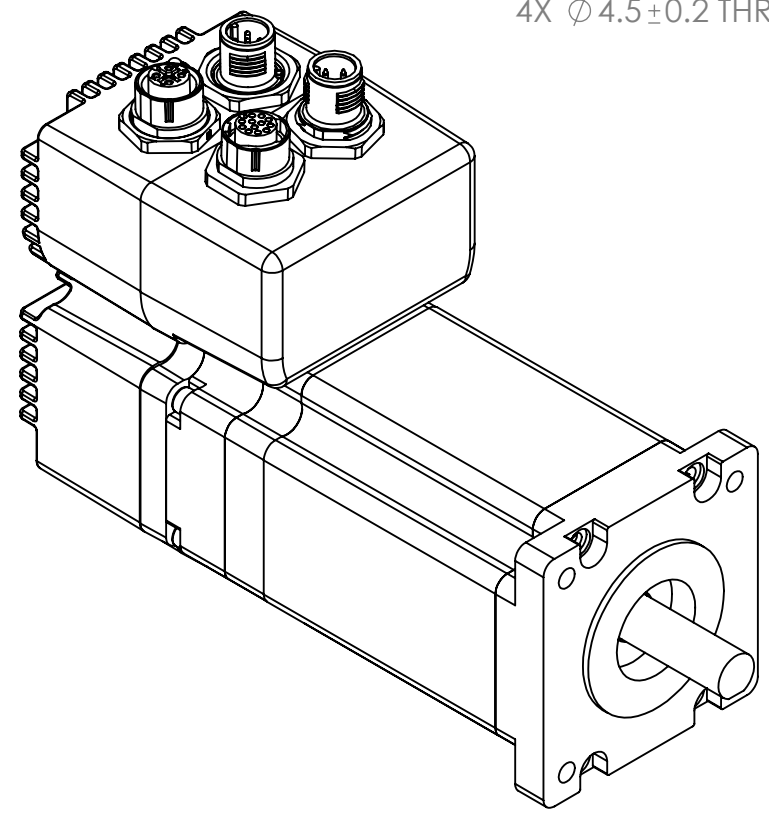
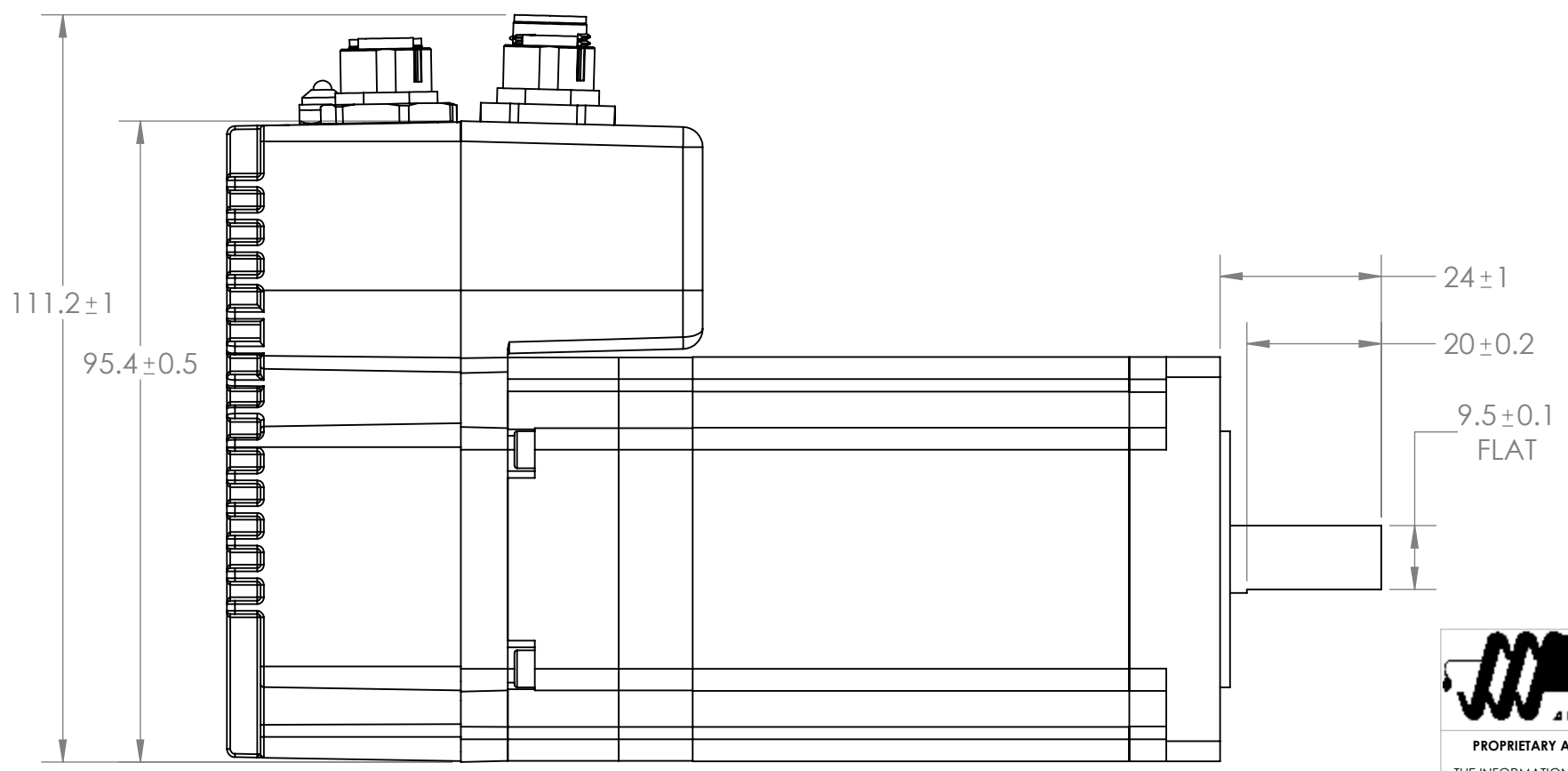
REVISIONS				
ECO #	REV.	DESCRIPTION	DATE	APPROVED
8471	A	INITIAL RELEASE	5/5/2020	LEO. L

B




B

A



A

 <p><b>Applied Motion Products</b> A MOONS' COMPANY</p> <p>PROPRIETARY AND CONFIDENTIAL</p> <p>THE INFORMATION CONTAINED IN THIS DRAWING IS THE SOLE PROPERTY OF APPLIED MOTION PRODUCTS. ANY REPRODUCTION IN PART OR AS A WHOLE WITHOUT THE WRITTEN PERMISSION OF APPLIED MOTION PRODUCTS IS PROHIBITED.</p>	UNLESS OTHERWISE SPECIFIED:	NAME	DATE	<p>TITLE:</p> <p><b>INTEGRATED STEPSERVO MOTOR OUTLINE DRAWING</b></p>						
	DIMENSIONS ARE IN MILLIMETERS	DRAWN	ALAN. N		3/10/20					
	TOLERANCES:	CHECKED	LEO. L		3/10/20					
	ANGULAR: $\pm 0.5$	COMMENTS:								
ONE PLACE DECIMAL $\pm 0.25$				<table border="1"> <tr> <td>SIZE</td> <td>DWG. NO.</td> <td>REV</td> </tr> <tr> <td><b>B</b></td> <td>TXM24X3B-R</td> <td>A</td> </tr> </table>	SIZE	DWG. NO.	REV	<b>B</b>	TXM24X3B-R	A
SIZE	DWG. NO.	REV								
<b>B</b>	TXM24X3B-R	A								
TWO PLACE DECIMAL $\pm 0.13$				SCALE: 1:1						
THIRD ANGLE PROJECTION				WEIGHT						
MATERIAL				SHEET 1 OF 1						
FINISH										
DO NOT SCALE DRAWING										

4

3

2

1