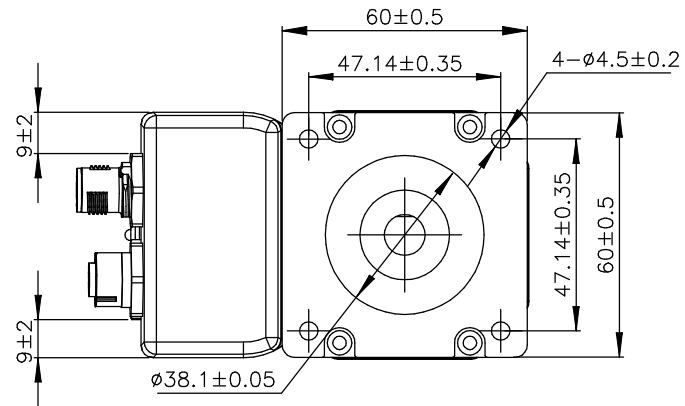
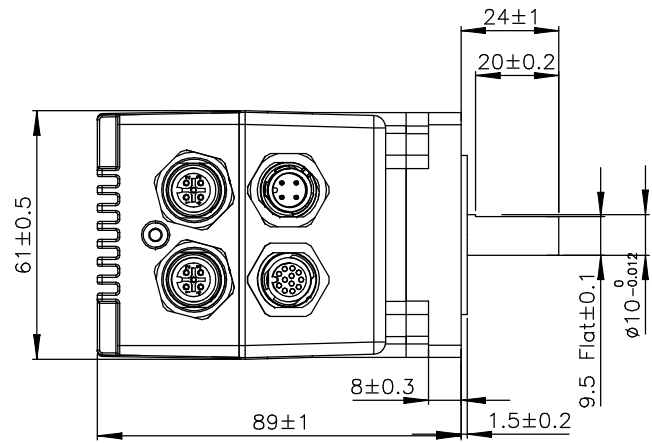
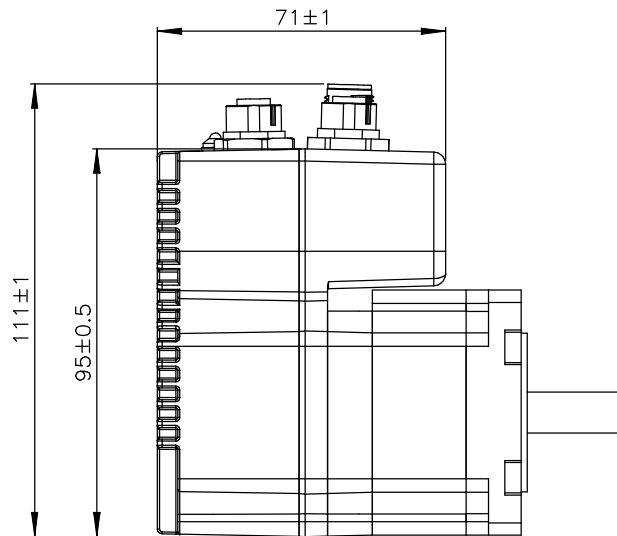




REVISIONS				
ECO NO.	REV	DESCRIPTION	DATE	APPROVED
7179	A	INITIAL RELEASE	5/15/15	J.KORDIK



TXM24S-1RG



TOLERANCES		THIRD ANGLE PROJECTION		 APPLIED MOTION PRODUCTS, INC. INTEGRATED STEP MOTOR OUTLINE DRAWING		
*ALL DIMENSIONS IN MM DECIMALS: MM X.XX = ±0.13 X.X = ±0.25 ANGLES: MACH. = ±0.5° CHAM. = ±5°						
COMPUTER DATA BASE DRAWING		APPROVALS	DATE	B	DWG NO. TXM24S-1RG	REV A
		DRAWN K.KESLER	3/23/15			
		CHECKED -	-	SCALE: NONE		SHEET 1 OF 1