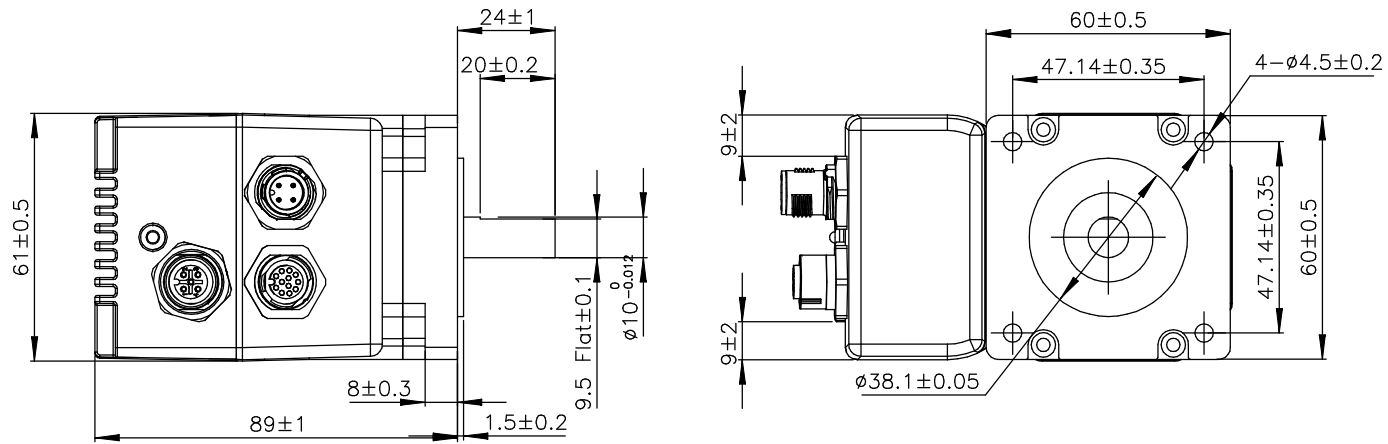
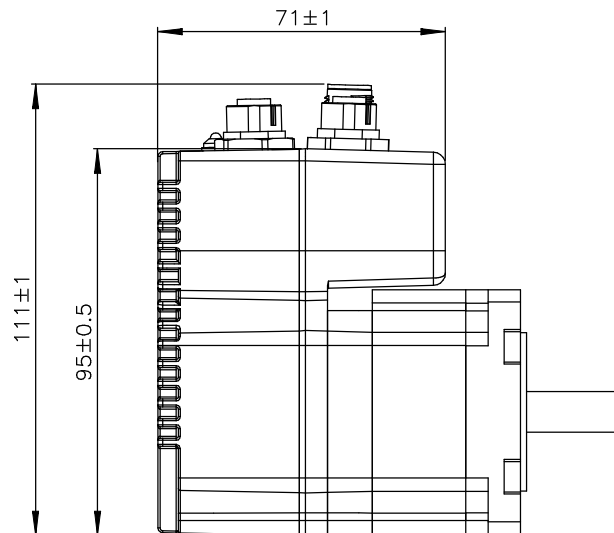




REVISIONS				
ECO NO.	REV	DESCRIPTION	DATE	APPROVED
7135	A	INITIAL RELEASE	1/20/15	J KORDIK



TXM24S-1EG



TOLERANCES		THIRD ANGLE PROJECTION		 APPLIED MOTION PRODUCTS, INC. INTEGRATED STEP MOTOR OUTLINE DRAWING		
*ALL DIMENSIONS IN MM DECIMALS: MM X.XX = ±0.13 X.X = ±0.25 ANGLES: MACH. = ±0.5° CHAM. = ±5°						
APPROVALS		DATE		B	DWG NO. TSM23S-1EG	REV A
DRAWN K.KESLER		3/23/15				
CHECKED		-		SCALE: NONE		SHEET 1 OF 1
COMPUTER DATA BASE DRAWING		APPROVED				