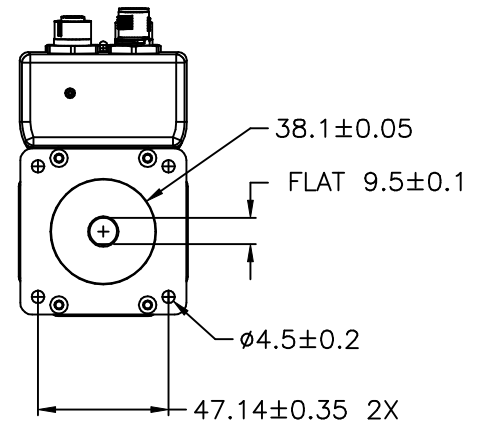
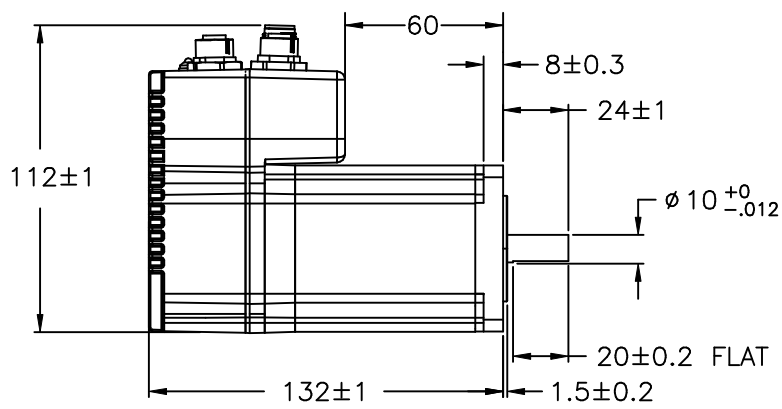
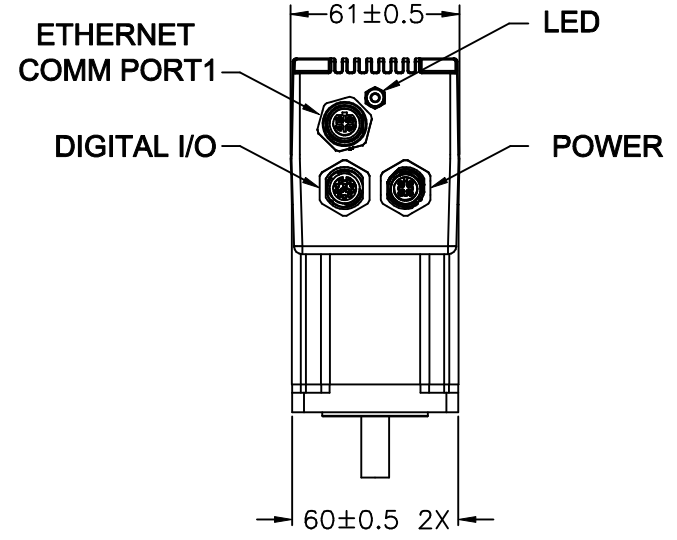
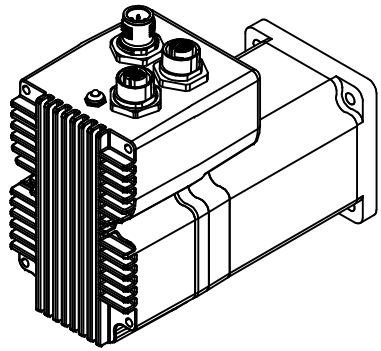


REVISIONS				
ECO NO.	REV	DESCRIPTION	DATE	APPROVED
7179	A	INITIAL RELEASE	3/23/15	3/23/15



TXM24Q-3EG

TOLERANCES *ALL DIMENSIONS IN MM DECIMALS: MM X.XX = ±0.13 X.X = ±0.25 ANGLES: MACH. = ±0.5° CHAM. = ±5°	THIRD ANGLE PROJECTION 		 APPLIED MOTION PRODUCTS, INC.		
	APPROVALS DRAWN: K. KESLER CHECKED: - APPROVED: -	DATE 3/23/15			INTEGRATED STEP MOTOR OUTLINE DRAWING
	COMPUTER DATA BASE DRAWING		B	DWG NO. TXM24Q-3EG	
			SCALE: NONE	SHEET 1 OF 1	