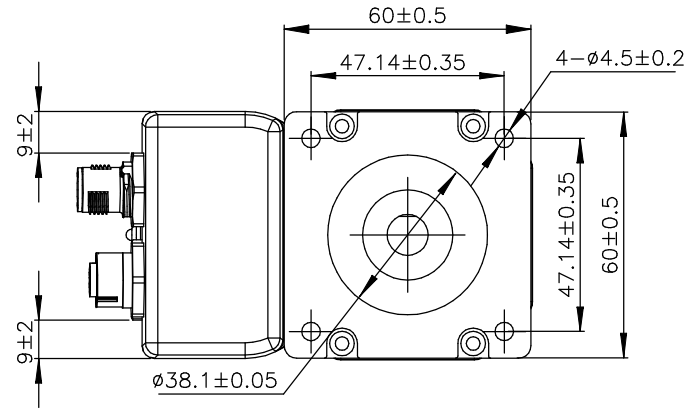
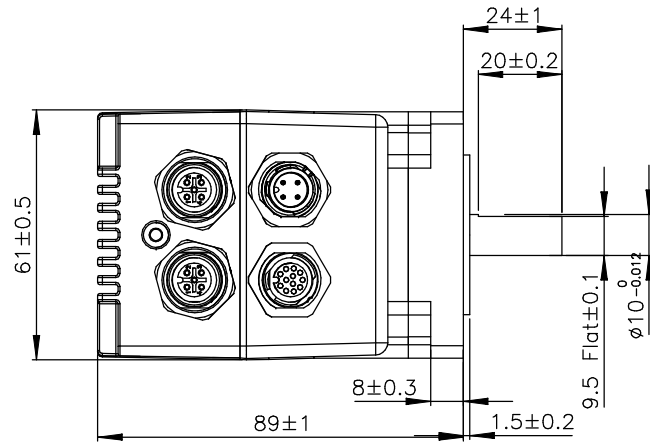
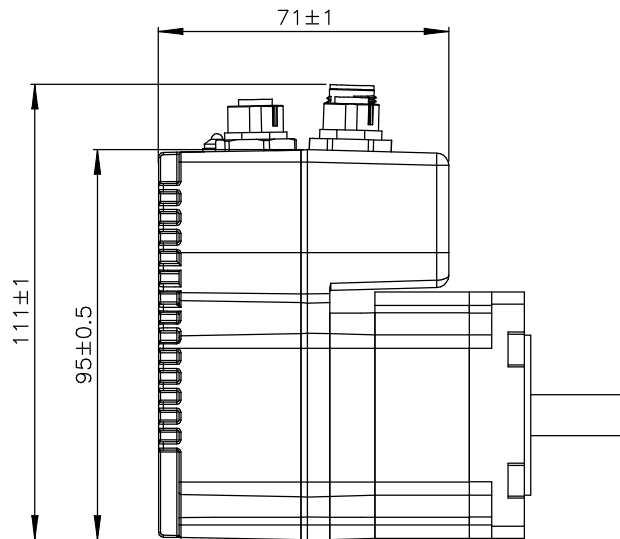

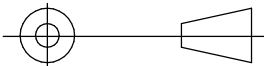


| REVISIONS | | | | |
|-----------|-----|-----------------|---------|----------|
| ECO NO. | REV | DESCRIPTION | DATE | APPROVED |
| 7179 | A | INITIAL RELEASE | 5/15/15 | J.KORDIK |



TXM24Q-1RG



| TOLERANCES | | THIRD ANGLE PROJECTION | |  APPLIED MOTION PRODUCTS, INC. | | |
|---|--|---|---------------------------|--|-----------------------|--|
| *ALL DIMENSIONS IN MM DECIMALS: MM X.XX = ±0.13 X.X = ±0.25 ANGLES: MACH. = ±0.5° CHAM. = ±5° | |  | | | | INTEGRATED STEP MOTOR OUTLINE DRAWING |
| COMPUTER DATA BASE DRAWING | | APPROVALS DRAWN K.KESLER CHECKED - APPROVED - | DATE 3/23/15 - - | B | DWG NO. TXM24Q-1RG | |
| | | | | SCALE: NONE | SHEET 1 OF 1 | |