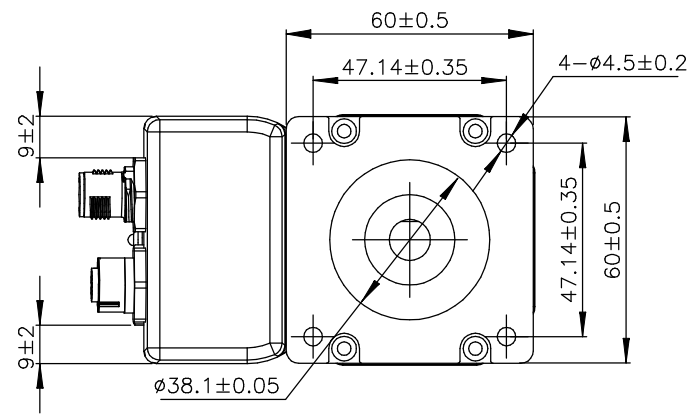
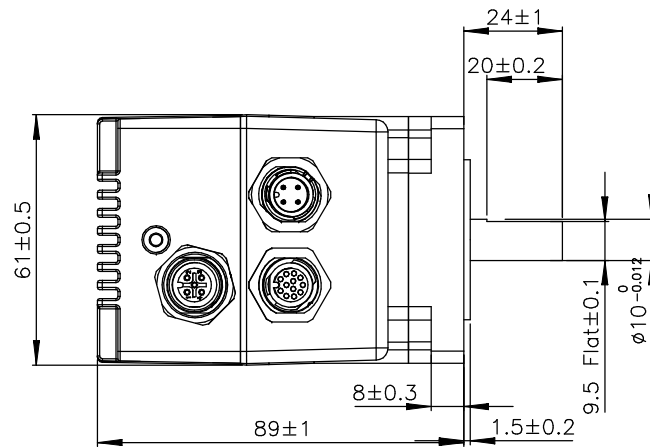
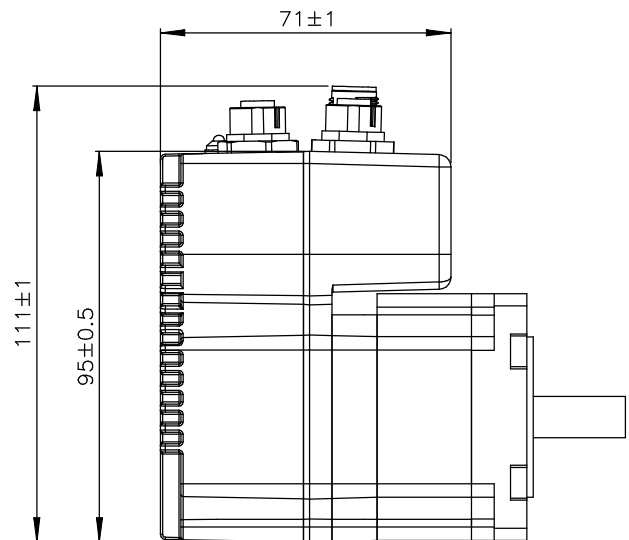


REVISIONS				
ECO NO.	REV	DESCRIPTION	DATE	APPROVED
7179	A	INITIAL RELEASE	5/15/15	J.KORDIK



TXM24IP-1EG



TOLERANCES *ALL DIMENSIONS IN MM DECIMALS: MM X.XX = ±0.13 X.X = ±0.25 ANGLES: MACH. = ±0.5° CHAM. = ±5°	THIRD ANGLE PROJECTION 		 APPLIED MOTION PRODUCTS, INC.		
	APPROVALS DRAWN K.KESLER CHECKED -	DATE 3/23/15 -			INTEGRATED STEP MOTOR OUTLINE DRAWING
	COMPUTER DATA BASE DRAWING	APPROVED -	-	B DWG NO. TXM24IP-1EG	
	SCALE: NONE		SHEET 1 OF 1		