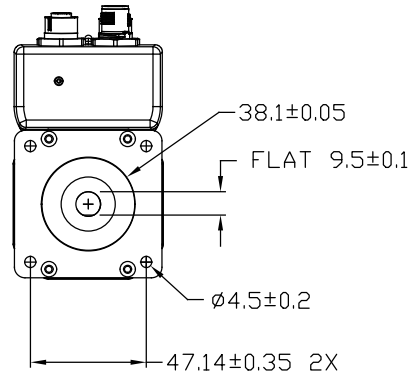
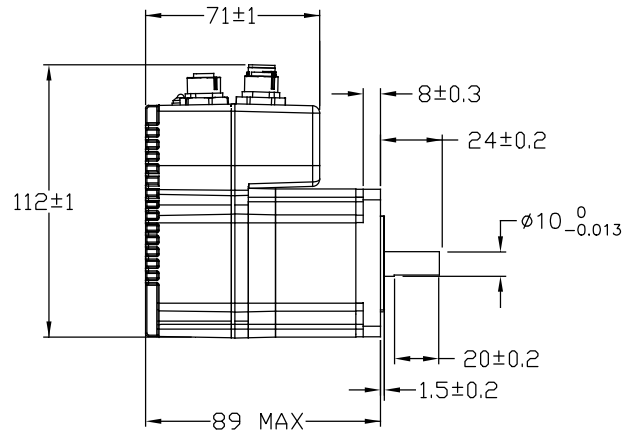
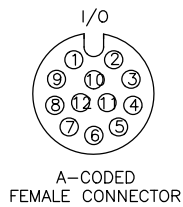


REVISIONS				
ECO NO.	REV	DESCRIPTION	DATE	APPROVED
8154	A	INITIAL RELEASE	2/20/19	L.LIU



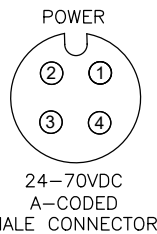
NOTES, UNLESS OTHERWISE SPECIFIED:
 [1] APPLY LABEL (P/N AND REV) WHERE SHOWN.

I/O CONNECTION CHART	
SIGNAL	PIN
I/O 1+	1
I/O 1-	3
I/O 2+	5
I/O 2-	8
I/O 3+	6
I/O 3-	4
I/O 4+	11
I/O 4-	12
5V 50ma	9
GND	2
Ain	10
GND	7
SHIELD	METAL HOUSING



POWER CONNECTION CHART	
PIN	SIGNAL
1	DC+
2	DC-
3	DC+
4	DC-

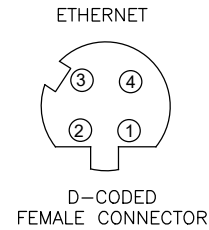
MATING CABLE
3004-277-xM



24-70VDC
A-CODED
MALE CONNECTOR

ETHERNET CONNECTION CHART	
PIN	SIGNAL
1	TX+
2	RX+
3	TX-
4	RX-
SHIELD	METAL HOUSING

MATING CABLE
3004-280-xM



D-CODED
FEMALE CONNECTOR

MATING CABLE
3004-290-xM

TOLERANCES		THIRD ANGLE PROJECTION		
DECIMALS: INCH [MM] X.XXX = ±.005 X.XX = ±.010 [0.13] X.X = ±.020 [0.25] ANGLES: MACH. = ±.5° CHAM. = ±.5°				
APPROVALS DRAWN: R. JONEZ CHECKED:		DATE 2/19/19		INTEGRATED MOTOR DWG NO. TXM24IP-1DX REV A
COMPUTER DATA BASE DRAWING		APPROVED		