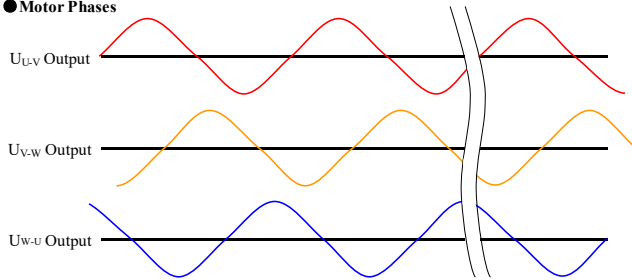


Motor Specifications

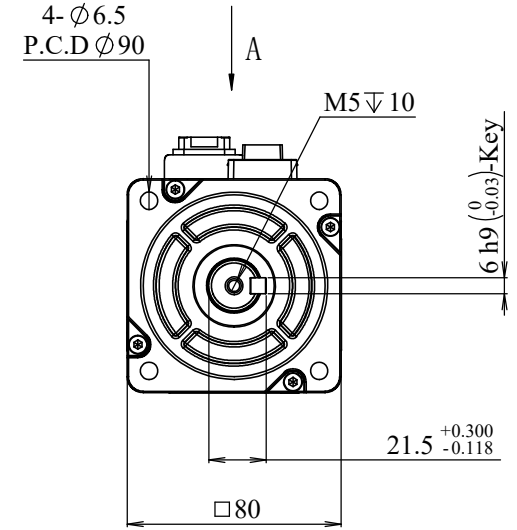
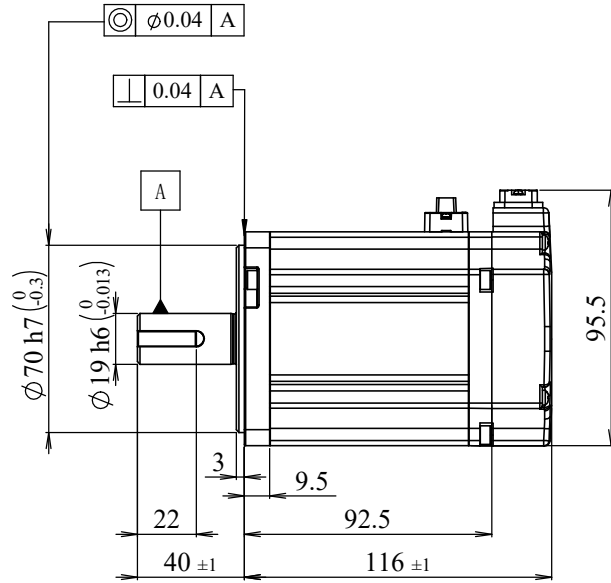
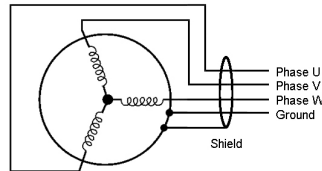
1	Drive Input from Power Supply		208~240V AC
2	Basic DC Bus Voltage	V (DC)	320V
3	Rated Output Power	Watts	750
4	Rated Speed	rpm	3000
5	Max. Mechanical Speed	rpm	6000
6	Rated Torque	Nm	2.4
7	Continuous Stall Torque	Nm	2.5
8	Peak Torque	Nm	6.7
9	Rated Current	A (rms)	4.5
10	Continuous Stall Current	A (rms)	4.5
11	Peak Current	A (rms)	14
12	Voltage Constant $\pm 10\%$	V(rms)/K rpm	33.9
13	Torque Constant $\pm 10\%$	Nm/A(rms)	0.533
14	Winding Resistance(Line-Line) $\pm 10\%$	Ohm @20°C	1.2
15	Winding Inductance(Line-Line) $\pm 20\%$	mH	7.38
16	Inertia	kg m ²	0.0000829
17	Thermal Resistance(mounted)	°C / W	1.23
18	Thermal Time Constant	Minutes	17.5 Min
19	Heat Sink Size(iron)	mm	250*250*6
20	Shaft Load - Axial	N (max.)	90 N / 20 Lbf
21	Shaft Load - Radial(End of Shaft)	N (max.)	270 N / 60 Lbf
22	Weight	kg	2.6 kg / 5.72 Lb
23	Approvals	cULus,CE,RoHS	
24	Encoder	17 bit, Battery-less Absolute Multi-turn Encoder(Fraba)	
25	Insulation Class	F (155°C)	
26	IP rating	IP65(except shaft through hole and cable end connector)	
27	Installation Location	Indoors, free from direct sunlight, corrosive gas, inflammable gas	
28	Ambient Temperature	Operating 0 to 40°C, Storage -20 to 80°C	
29	Ambient Humidity (max.)	85% (free from condensing)	
30	Altitude (max.)	1000 m	
31	Vibration Resistance	49 m/s ²	
32	Rotor Poles	10	

Shaft Load: (L10 life, 20,000 hours, 2,000 RPM)

Motor Phases



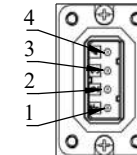
All the timing logics are obtained in CCW rotation as viewed from front shaft.



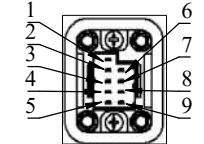
View A

View A

Motor Power Connector: DGFA4S-A2-00A(H)



Encoder Connector: DGFA9S-A1-02A(H)
Pin: DGFA-02A(H)



PIN#	Signal	PIN#	1	2	3	4	5	6	7	8	9
1	FG	Signal	Shield	CLK+	CLK-	Data-	Data+	5V	n/c	GND	n/c
2	Phase U										
3	Phase V										
4	Phase W										

Notes:

1. A shaft seal is shipped with motor, but not installed.
2. A KEY is shipped with motor, but not installed.

Item Number
S0033

Unit: mm First Angle Method		AO	Preliminary	2023.06.14	 MOONS' <i>moving in better ways</i>	SM3L-083ABNDV		
Tolerances for linear and angular dimensions without individual tolerance indications	REV	Sign	Quantity	Date		4611170000729		
GB/T 1804-m eqv ISO 2768-1:m	Design		Technology			Stage	Quality	Scale
Geometrical tolerance for features without individual tolerance indications	Standard		Audit			D		1:2
GB/T 1184-K eqv ISO 2768-2:K	Check		Approve			Sheet		1 of 1
UNLESS OTHERWISE SPECIFIED	Marketing Dep	<input type="checkbox"/>	Date		Shanghai AMP & MOONS' Automation Co.,Ltd			