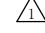
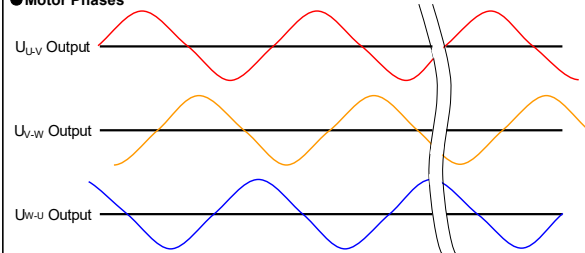


Motor Specifications

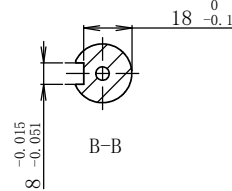
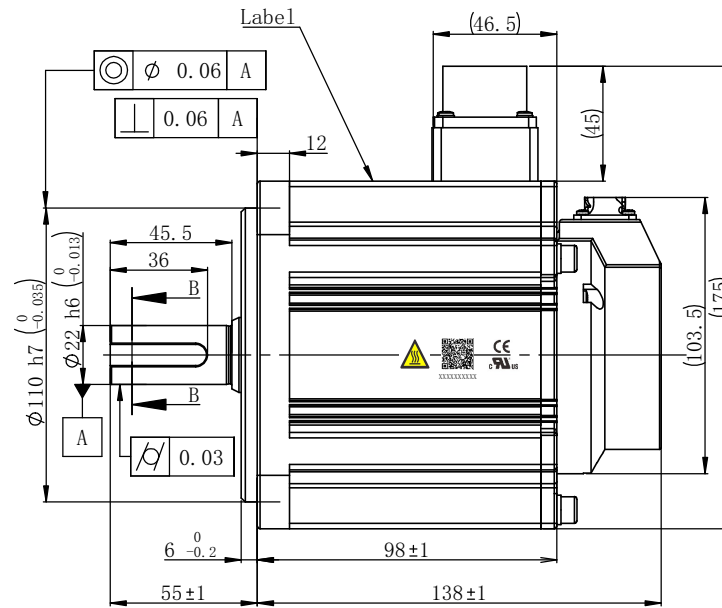
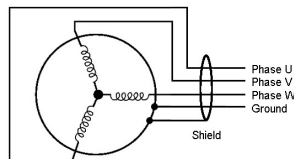
1	Drive Input power supply		208~240VAC
2	Basic DC Bus Voltage	V (DC)	320V
3	Rated Output Power	Watts	850
4	Rated Speed	rpm	1500
5	Max. Mechanical Speed	rpm	3000
6	Rated Torque	Nm	5.39
7	Continuous Stall Torque	Nm	5.8
8	Peak Torque	Nm	16.2
9	Rated Current	A (rms)	6
10	Continuous Stall Current	A (rms)	6
11	Peak Current	A (rms)	19
12	Voltage Constant ±10%	V(rms)/K rpm	55.3
13	Torque Constant ±10%	Nm/A(rms)	0.898
14	Winding Resistance(Line-Line)±10%	Ohm @20°C	1.08
15	Winding Inductance(Line-Line)±20%	mH	9
16	Inertia	kg m ²	0.0013
17	Thermal Resistance(mounted)	°C / W	0.66
18	Thermal Time Constant	Minutes	24 Min
19	Heat Sink Size(Iron)	mm	400×400×20
20	Shaft Load - Axial	N (max.)	196N / 44 Lbf
21	Shaft Load - Radial(End of Shaft)	N (max.)	490 N / 110 Lbf
22	Weight	kg	6.2 kg /13.6 Lb
23	Approvals	CE,cULus,RoHS	
24	Encoder Resolution & Protocol	21bit Absolute Multi-turn TMGW Protocol	
25	Encoder Type	Magnetic 	
26	Insulation Class	F (155°C)	
27	IP rating	IP65(except shaft through hole and cable end connector)	
28	Installation Location	Indoors, free from direct sunlight, corrosive gas, inflammable gas	
29	Ambient Temperature	Operating 0 to 40°C, Storage -20 to 80°C	
30	Ambient Humidity (max.)	85% (free from condensing)	
31	Altitude (max.)	1000 m	
32	Vibration Resistance	10-150Hz 49 m/s ²	
33	Rotor Poles	10	

Shaft Load: (L₁₀ life, 20,000 hours, 2,000 RPM)

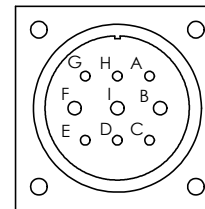
Motor Phases



All the timing logs are obtained in CCW rotation as viewed from front shaft.

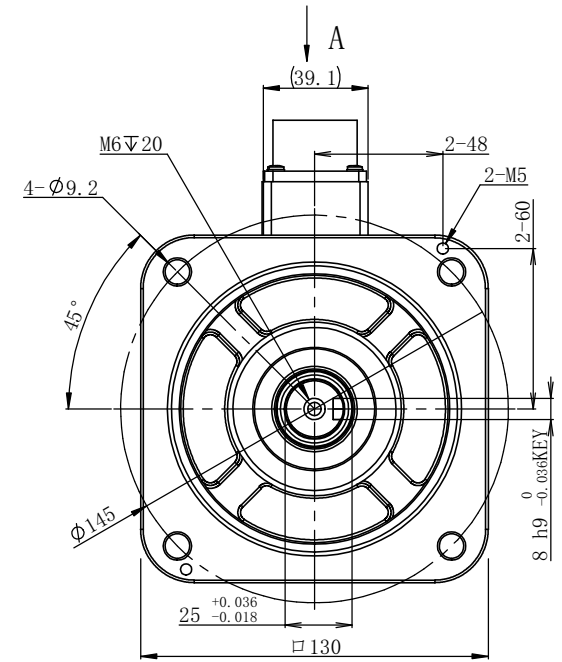


Motor Power Connector:
XMS3102A20-18S(EUMACX)

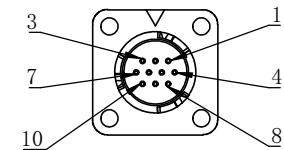


View A

Pin#	A	B	C	D	E
Signal	GND	W	N/C	N/C	N/C
Pin#	F	G	H	I	
Signal	U	N/C	N/C	V	



Encoder Connector:
XM10-S10S-C(EUMACX)



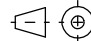
View A

Pin#	1	2	3	4	5
Signal	5V	GND	SD-	SD+	Battery+
Pin#	6	7	8	9	10
Signal	Battery-	N/C	N/C	N/C	Shield

Item Number
S0034

Notes:

1. A shaft seal is shipped with motor, but not installed.
2. A KEY is shipped with motor, but not installed.

Unit: mm			
First Angle Method			
Tolerances for linear and angular dimensions without individual tolerance indications			
GB/T 1804-m eqv ISO 2768-1:m			
Geometrical tolerance for features without individual tolerance indications			
GB/T 1184-K eqv ISO 2768-2:K			
UNLESS OTHERWISE SPECIFIED			
REV	Sign	Quantity	Date
AO		1	2023.11.29
AO		1	2023.09.08
Design		Technology	
Standard		Audit	
Check		Approve	
Marketing Dep	<input type="checkbox"/>	Date	



SM3H-132AXNUV

4611170001555

Stage	Quality	Scale
D		1:2
Sheet	1 of 1	

Shanghai AMP & MOONS' Automation Co.,Ltd