

Mclennan Servo Supplies Ltd.



User Manual for

Sim-Step

Single Axis Stepper Drive & Controller

User Manual for **Sim-Step** Single Axis Stepper Motor Drive and Controller

Mclennan Drg. No. 3400 Issue G

Associated Documents:

MSE570 E2 Data Sheet
PM600 Manual

Software:

McTerminal Terminal and Monitor Program

The associated documents are available from the technical documents section of our web site
www.mclennan.co.uk

SAFETY NOTICE!

Position control systems are inherently hazardous. Even a small motor, if coupled to a leadscrew, gearbox, or any other form of mechanism that provides a mechanical advantage, can generate considerable force and could cause serious injury. Incorrect operation can also lead to damage to the motor or associated machinery. It is essential that the purpose of the various fault detection features built into the **Sim-Step's** PM600 controller be fully understood and used correctly.

Mclennan Servo Supplies Ltd.
Unit 1, The Royston Centre,
Lynchford Road,
Ash Vale,
Surrey,
GU12 5PQ
UK

Telephone: +44 (0)8707 700 700
FAX: +44 (0)8707 700 699
Sales EMAIL: sales@mclennan.co.uk
Technical support EMAIL: tech@mclennan.co.uk

The manufacturer reserves the right to update the data used in this manual in line with product development without prior notice.

CONTENTS

1	DESCRIPTION	3
1.1	REAR VIEW:	4
1.2	LINK SETTINGS.....	6
2	EXTERNAL INTERFACE CONNECTIONS.....	7
3	CABLES.....	10
3.1	MOTOR AND LIMIT/DATUM CABLES.....	10
3.2	ELECTRO-MAGNETIC COMPATIBILITY (EMC)	10
3.3	ENCODER CABLES.....	11
3.3.1	<i>Typical Motor Encoders</i>	11
4	MOTOR CONNECTIONS.....	12
4.1	COLOUR CODE FOR 8 LEAD MOTORS:	12
4.2	CONNECTING TO THE MSA889 JUNCTION BOX	13
4.3	CONNECTION OF LIMITS AND DATUM	14
4.3.1	<i>Datum Position</i>	15
4.3.2	<i>Using Over-travel limits as datum inputs</i>	15
5	POWER SUPPLY UNIT.....	16
6	MSE570 STEPPER DRIVE	17
6.1	GENERAL SET-UP:.....	17
6.2	CURRENT SETTING	17
6.3	OTHER MSE570 CURRENT SETTINGS.....	18
7	MANUAL OPERATION USING THE JOG BOX OR JOYSTICK.....	19
7.1	JOG BOXES - JC SERIES.....	19
7.2	SINGLE AND DUAL AXIS JOG BOX OPERATION.....	20
7.3	MULTI-AXIS JOG BOX OPERATION	20
7.4	JOYSTICK - JC SERIES.....	21
7.5	JOYSTICK OPERATION.....	21
8	PM600 INTELLIGENT STEPPER MOTOR CONTROLLER.....	22
8.1	GENERAL	22
8.2	SETTING UP THE ENCODER (CLOSED-LOOP CONTROL MODES ONLY).....	22
8.2.1	<i>Encoder Termination</i>	22
8.2.2	<i>Encoder Scaling</i>	23
8.2.3	<i>Encoder Direction</i>	23
8.3	PROGRAMMING VIA THE RS232 INTERFACE	23
8.4	GENERAL COMMAND STRUCTURE	25
8.5	EXAMPLES OF COMMAND STRUCTURE	25
9	I/O CABLE AND BREAKOUT BOX.....	26
9.1	ISOLATION	27
9.2	TYPICAL CONNECTIONS	27
9.3	READ PORTS.....	27
9.4	WRITE PORTS	28
9.4.1	<i>Inductive Loads</i>	28
10	<i>SIM-STEP</i> EXAMPLE SEQUENCE	28
10.1	SEQUENCE DEFINITIONS	28
10.2	CONFIGURATION.....	29
10.3	RUN SEQUENCE	29
11	ORDER CODES	30
11.1	SYSTEM	30
11.2	MOTOR ENCODERS	30
11.3	CABLES	30
11.4	JUNCTION BOXES	30
11.5	JOG BOXES & JOYSTICK	30
11.6	EMC FERRITES.....	30
12	LIMITATIONS OF USE	31

1 Description

The system is a single axis stepper motor control and drive rack. Motor motion is commanded either from a computer or from a terminal via the RS232 (or RS485) serial data port or from a manual Jog Box or Joystick controller. The controller can drive stepper motors in open-loop (step counting) mode or encoded motors/mechanisms in closed-loop mode.

The controller consists of:

1	MSE570-Evo2 3.5A Stepper Drive
1	PM600 Motor Controller
1	MSB867 Backplane
1	MSE779 Power Supply Board

These are mounted in a 3U high 28HP rack unit. The **Sim-Step** is supplied with a mains lead, an RS232 cable and an RS232 terminator. A range of standard motor, encoder, limits/datum and I/O cables are available.



Fig.1.1 **Sim-Step** Front View

The system has a PM600 controller and a MSE570 Stepper drive powered by a power supply based on the MSE779 power supply board.

The PM600 controller and the MSE570 plug into the MSB867 backplane. *Step*, *clock* and *direction* signals from the PM600 are fed to the MSE570 Stepper drive. The bipolar stepper motor is connected to the MSB867 backplane via a rear panel connector.

The PM600 position controller generates the *clock* and *direction* signals for the MSE570 drive in response to move commands.

The PM600 *enable* output is connected to the *enable* input of the MSE570 drive. If the PM600's *enable* output is turned off (e.g. as a result of an error) the motor current will be turned off. The *enable* output may be turned off by an **AB abort** command, or *reset* (turned on) by an **RS** command (see Section 6.4).

The *Idle* output from the PM600 is connected to the *current reduction* input on the MSE570 to reduce the motor current to about 25% when the motor is not moving.

An incremental encoder can be fitted to the motor or mechanism to monitor the movement of the mechanism. The quadrature signals from the encoder are connected to the PM600 to allow passive closed-loop operation. The system is initially supplied with the PM600 configured for open-loop operation. The PM600 must be reconfigured for closed-loop operation (see Section 8.2).

The MSB867 has a multi-axis jog receiver; it allows the PM600's Jog inputs to be controlled by a JC809 Jog Box. The axis addresses shown on the JC809 may be changed by altering the settings of the rotary switches accessible by removing the top cover of the unit.

The power supply provides +24V (nominal) to energise the supply rail on the PM600 controller, and +40V (nominal) to energise the supply rail on the MSE570 drive.

The PM600 manual referred to in this document can be found on www.mclennan.co.uk.

1.1 Rear View:

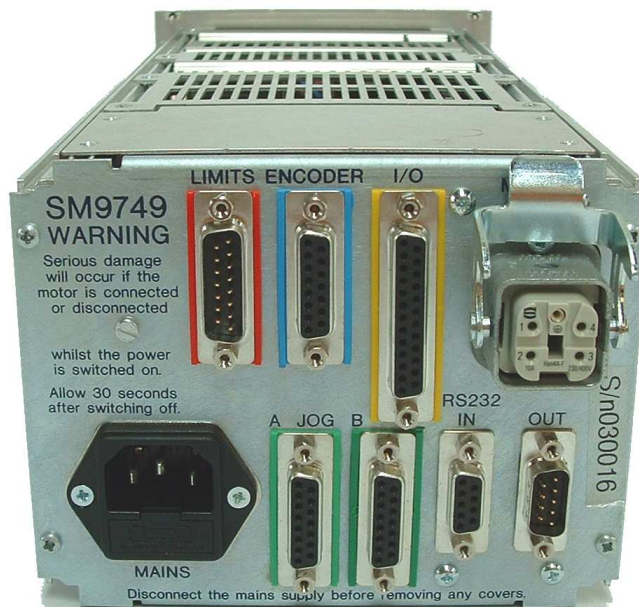


Fig. 1.2 *Sim-Step* Rear Panel

Connections for motors, limits/datum, I/O, encoders, RS232 and mains are taken from the MSB867 backplane to connectors on the rear panel.

The mains input is a filtered IEC inlet.

The **MOTOR** connector has outputs from the PM570-Evo2 stepper drive to connect to a bipolar stepper motor.

WARNING! Serious damage will occur if the motor is connected or disconnected whilst the power is switched on. Allow 30 seconds after switching off.

The **LIMITS/DATUM** connectors have inputs for the Upper and Lower Limit switches, a Datum Approach switch and a Datum Stop switch. The connections to the Limit switch inputs must be **made** for normal operation of the PM600 controllers.

Limit switches must not be used as a safety device or part of a safety system for ensuring the safety of persons

The **ENCODER** connector is for the position encoder input. It has a +5V supply to energise the encoder, complementary *quadrature* inputs and complementary *index* inputs.

The **JOG A** and **JOG B** connectors have inputs for Jog pushbuttons, a Joystick control and data connections for a JC809 Jog Box.

They have connections for Jog, Jog- and Jog Fast pushbuttons compatible with a JC100 Jog Box and +5V, 0V Joystick input and Joystick centre tap compatible with a JC400 Joystick. The JC100 and JC400 may be plugged into either connector.

If using a JC809 Multi axis jog box, the axis address that is assigned to Jog is set on the MSB867 interface board using a rotary switch (see section 5.2). The JC809 can be connected to other axes by using a 'Jog daisy-chain' cable plugged into the vacant **JOG A** or **JOG B** connector. The Jog Terminator supplied with the JC809 must be plugged into the vacant connector in the last axis in the daisy-chain.

The **I/O** connector has inputs and outputs from PM600's *Read* inputs and *Write* outputs.

There are also connectors for **RS232 IN** for connecting to the computer or terminal that supplies the control data and **RS232 OUT** for connecting either to a subsequent control rack (*daisy-chain*) or to an RS232 terminator. These connectors can also be configured for RS485 communications (see section 1.2).

Note: The RS232 Terminator supplied with the control system must be fitted to the last unit in the *daisy-chain*. This allows both replies from, and commands sent to, the controller to be echoed back.

WARNING! To avoid overheating, the vents in the top and bottom of the unit must be unobstructed at all times.

1.2 Link Settings

The control operation of the **Sim-Step** can be configured by means of links fitted to the MSE867. The links can be accessed by removing the rear top cover of the unit.

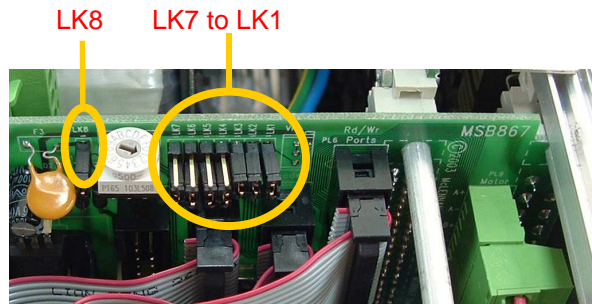


Fig. 1 Link Location

Link	Action	Default
LK1	Select automatic current reduction from PM600 idle output	On
LK2	Drive over-temperature activates PM600 <i>abort stop</i> input	On
LK3	Drive overload activates PM600 <i>abort stop</i> input	On
LK4 to LK7	1-2 selects RS485, 2-3 selects RS232	RS232
LK8	Select internal (on) or external (off) <i>abort stop</i>	Internal

- LK1** If LK1 is on, the current to the motor will be reduced to about 25% of the current set on the drive when the motor has finished its move and the controller returns to *Idle*. The primary use of this function is to reduce the heating effect caused by the motor. It is not intended to produce a precise holding-torque. If LK1 is removed, the motor current will remain at the current set on the drive. This setting is usually only needed when a high holding-torque is required. E.g. when driving a mechanism with an offset load.
- LK2** If LK2 is on, an over-temperature fault detected on the drive output stage will cause the controller *abort stop* input to be activated.
- LK3** Likewise if LK3 is on, an overload fault detected on the drive output stage will cause the controller *abort stop* input to be activated.
- LK4-7** These two position links select either the RS232 or RS485 communication interfaces. When the links LK4 to LK7 are all in the 1-2 position, RS485 is selected and when all in the 2-3 position, RS232 is selected. If using RS485 communication, The last **Sim-Step** in the line should have SW3-8 on the PM600 switched to the ON position. This selects a 100Ω terminating resistor. See figs 8.2 and 8.3 in section 8.3.
- LK8** If LK8 is removed (off) the external 'Abort Stop' input selected. Pins 7 and 14 on the **Limits/Datum** connector must be linked (via a normally-closed contact or switch) to enable moves.

2 External Interface Connections

MAINS supply	
Connector type: IEC chassis plug	
Terminal	Connection
L	Live input 115/230V AC (Internally selectable)
N	Neutral input
E	Earth. THIS UNIT MUST BE EARTHED

MOTOR	
Connector type: HAN-4A socket	
Mating Cable: 507MOCxx892 (xx = length)	
Terminal	Connection
1	Motor Phase A+
2	Motor Phase A-
3	Motor Phase B+
4	Motor Phase B-
E	Screen

LIMITS/DATUM		RED
Connector type: 15 way 'D' Plug		
Mating Cable: 507LDCxx894 (xx = length)		
Terminal	Connection	
1		
2	0V	
3	Upper Limit Input -	
4	Lower Limit Input -	
5	Datum Approach Input -	
6	Datum Stop Input -	
7	Abort Stop – (selected by internal link LK8)	
8		
9		
10	Upper Limit Input + (24V)	
11	Lower Limit Input + (24V)	
12	Datum Approach Input + (24V)	
13	Datum Stop Input + (24V)	
14	Abort Stop + (24V)	
15		

Link pins 3 and 10 to enable positive moves

Link pins 4 and 11 to enable negative moves

Link pins 5 and 12 for fast datum search

If external 'Abort Stop' selected, link pins 7 and 14 to enable moves.

ENCODER		BLUE
Connector type: 15 way 'D' socket		
Mating Cable: 507ENCxx893 (xx = length)		
Terminal	Connection	
1		
2	0V	
3	Channel A-	
4	Channel B-	
5	Channel I-	
6		
7		
8		
9	+5V	
10		
11	Channel A+	
12	Channel B+	
13	Channel I+	
14		
15		

I/O		YELLOW
Connector type: 25 way 'D' socket		
Mating Cable: 507IOCxx895 (xx = length)		
Terminal	Connection	
1	Write Port 1	
2	Write Port 2	
3	Write Port 3	
4	Write Port 4	
5	Write Port 5	
6	Write Port 6	
7	Write Port 7	
8	Write Port 8	
9	Write Port Common (Isolated Supply)	
10	+VLL (Controller Supply)	
11		
12		
13		
14	Read Port 1	
15	Read Port 2	
16	Read Port 3	
17	Read Port 4	
18	Read Port 5	
19	Read Port 6	
20	Read Port 7	
21	Read Port 8	
22	Read Port Common (Isolated 0V)	
23	0V (Controller 0V)	
24		
25		

Refer to PM600 Manual sections 2.18 and 3.16 for typical connections.

JOG A and JOG B		GREEN
Connector type: 15 way 'D' socket		
Compatible with JC100, JC400 and JC809 manual controls		
Terminal	Connection	
1	Jog Common (~+24V)	
2	0V	
3	Jog + Input	
4	Jog – Input	
5	Jog Fast Input	
6		
7		
8		
9	Joystick Supply (+5V)	
10	Joystick Input	
11		
12	Joystick Centre Tap Input	
13		
14	Data A	
15	Data B	

RS232 IN		
Connector type: 9 way 'D' type socket		
Terminal	RS232 Connection	RS485 Connection
1		RS485-A
2	Transmit Data	
3	Receive Data	
4		
5	0V	
6		RS485-B
7	CTS	
8	RTS	
9		

RS232 OUT			
Connector type: 9 way 'D' type plug			
Terminal	RS232 Connection		RS485 Connection
1			RS485-A
2	Receive Data	Link to echo replies and commands	
3	Transmit Data		
4			
5	0V		
6			RS485-B
7	RTS	Link to echo replies and commands	
8	CTS		
9			

3 Cables

3.1 Motor and Limit/Datum cables

Motor and limit / datum cables fitted with connectors to plug into the rear panel of the **Sim-Step** may be specified. The available lengths are shown below. The motor cables have a connector on both ends, which can be connected either to the connector fitted to the stepper motor or to the stepper motor wires via an MSA889 Junction Box.

Likewise, the *Limit* and *Datum* connections can be made either by connecting to the socket on the end of the cable or via an MSA889 junction box. The connections to the MSA889 junction box are shown in figures 4.2 and 4.3.

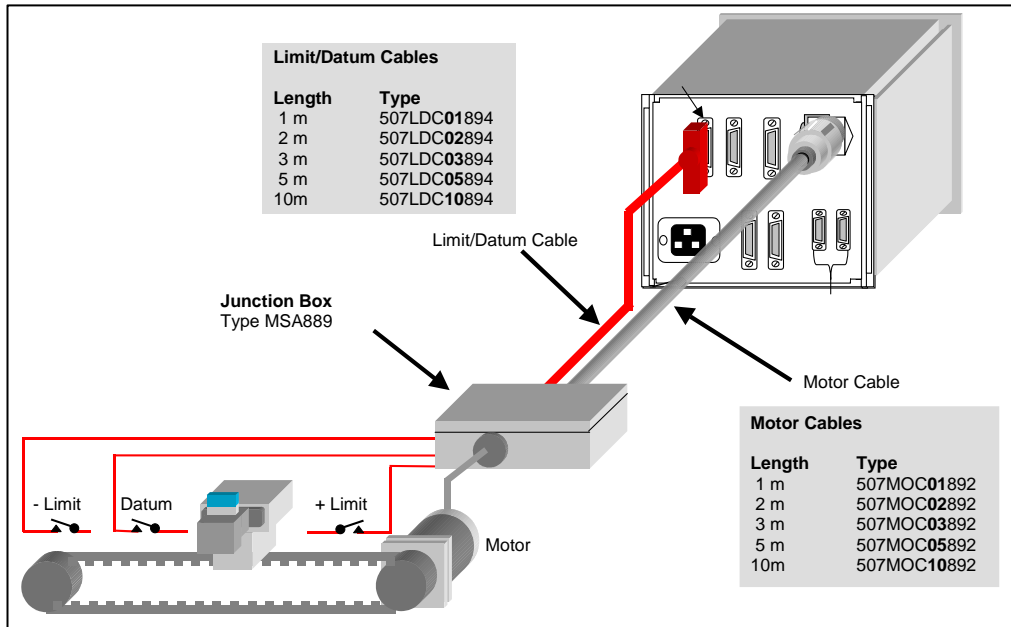


Fig. 3.1 Motor and Limit/Datum Cables

3.2 Electro-magnetic Compatibility (EMC)

The **Sim-Step** complies with EN-50081-1 and EN50082-1 when properly with cables that use EMC connectors. The cable used to connect the motor to the drive should be a screened, twisted pair type. The screen should be connected at both ends of the cable. On the drive end, the screen should be connected to earthed metalwork of the case and on the motor end, the screen should be connected to the motor body.

The EMC profile may be improved by fitting ferrite sleeves to the motor cables. For cable diameters from 7mm to 8.5mm use RS part number 260-6492. For cable diameters from 8.5mm to 10mm use RS part number 309-7962.

3.3 Encoder Cables

The **Sim-Step** can be connected to the encoder via an encoder cable that is equipped with connectors at each end. One connector plugs into the controller, the other into the motor-encoder extension cable as shown in fig 3.2.

Alternatively, if the motor has a connector box, the cable can be plugged in directly.

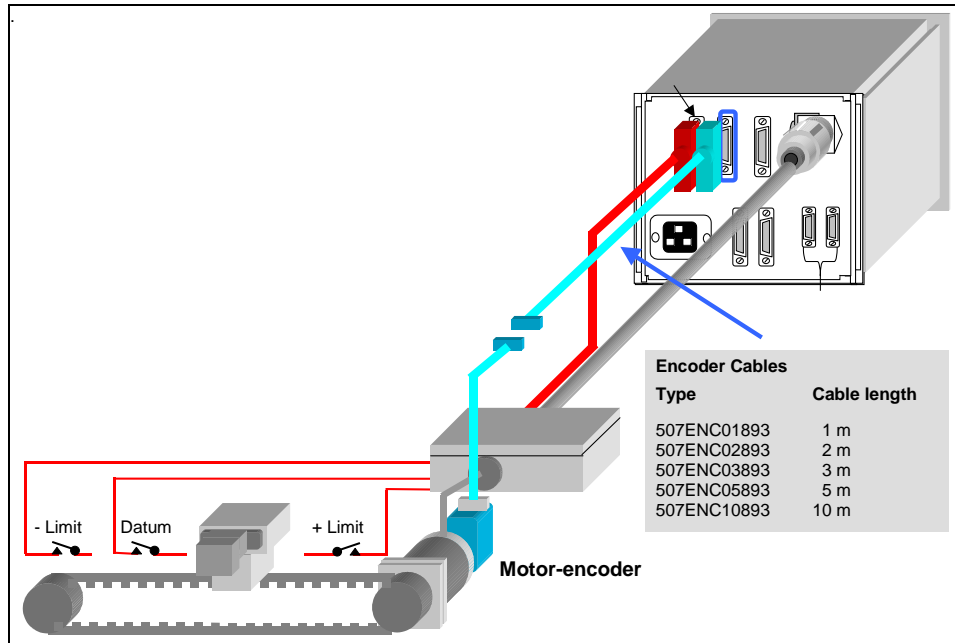


Fig. 3.2 Encoder Cable

3.3.1 Typical Motor Encoders

Frame size	Motor Encoder	Order Code
Size 23	23HSX-206 CI 500L	301HSE00053
	23HSX-306 CI 500L	301HSE00054
Size 34	34HSX-108 RI 500L	301HSE00055
	34HSX-208 RI 500L	301HSE00056

4 Motor Connections

4.1 Colour Code for 8 lead motors:

The motor will have eight leads that can be identified as shown in figure 4.1.

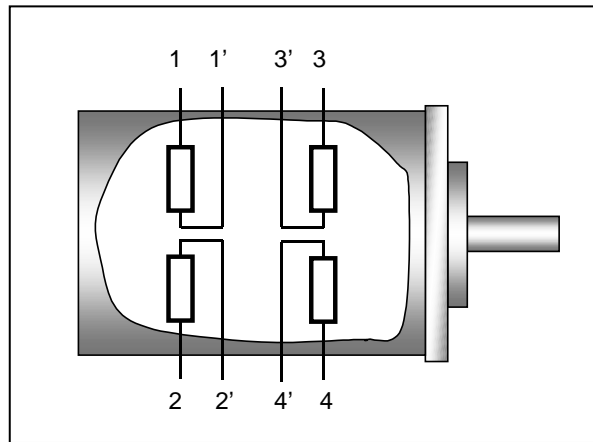


Fig. 4.1 Eight lead 23 & 34 frame size motors

Motor	Lead identification							
	1	1'	2'	2	3	3'	4'	4
HS Series	Red	White/Red	White/Yellow	Yellow	Black	White/Black	White/Orange	Orange
or	Red	Black	White	White/Red	White/Green	White/Black	Orange	Green
23HSX	Red	White/Red	White/Yellow	Yellow	Orange	White/Orange	White/Brown	Brown
34HSX	Red	White/Red	White/Yellow	Yellow	Black	White/Black	White/Orange	Orange

The motor can be connected into the MSA889 junction box as shown in fig. 4.4. Internal links select parallel or series operation. This function is shown in figures 4.2 and 4.3.

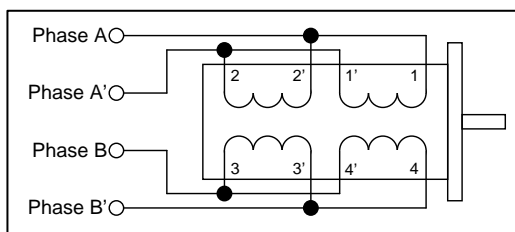


Fig. 4.2 Coils in Parallel

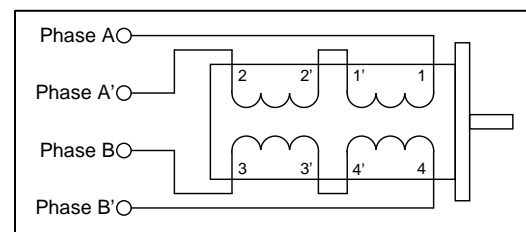


Fig. 4.3 Coils in Series

The maximum drive current for coils wired in parallel is the unipolar motor phase current rating $\times \sqrt{2}$. The maximum drive current for coils wired in series is the unipolar motor phase current rating $/ \sqrt{2}$.

To reverse motor direction, swap the connections to **one** phase. E.g., swap B with B'.

4.2 Connecting To The MSA889 Junction Box

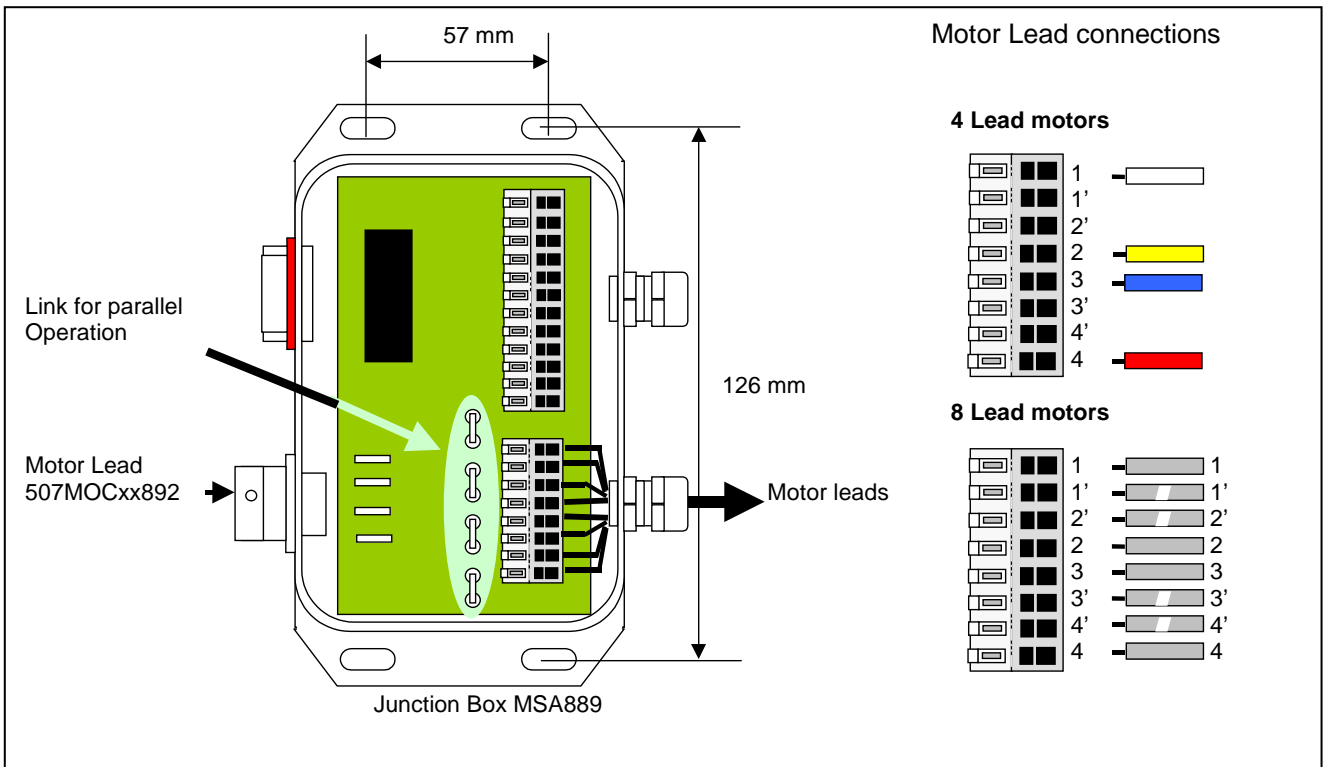


Fig. 4.4 Parallel Motor Coil Connections

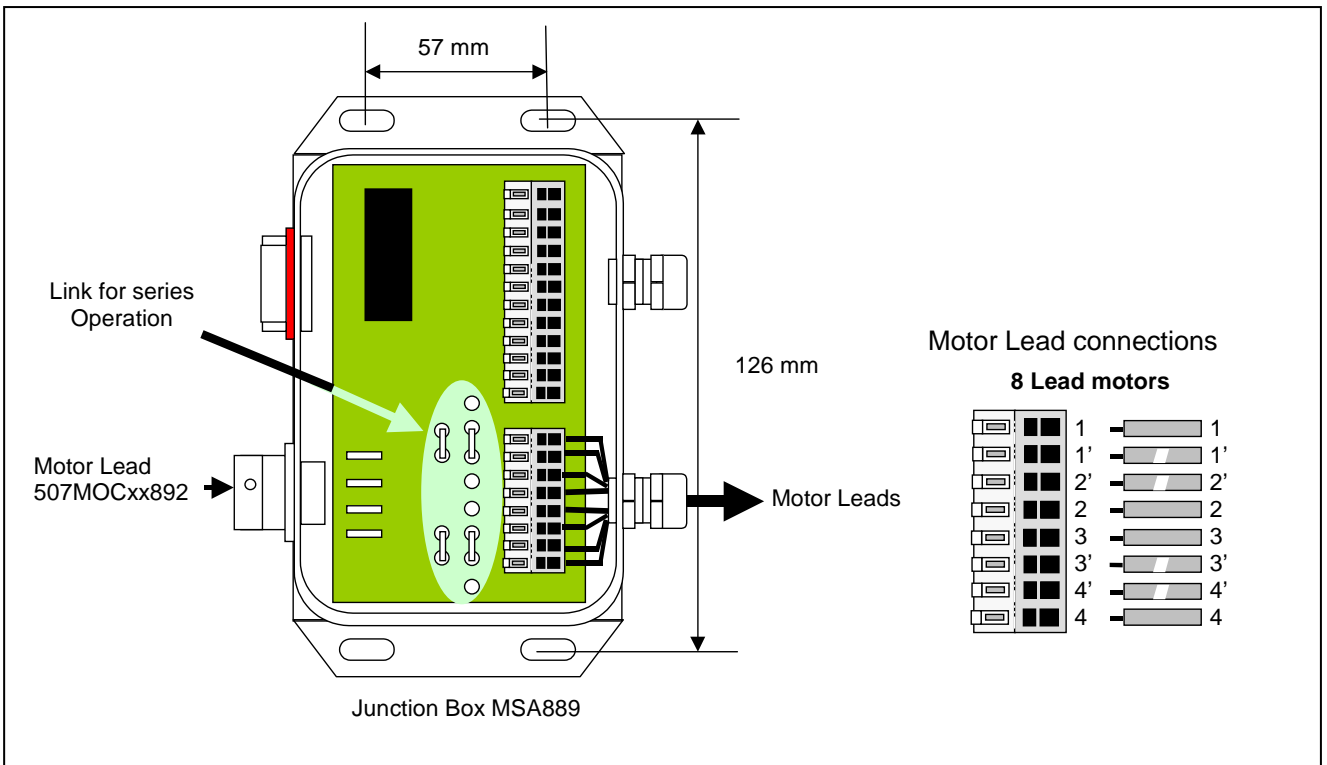


Fig. 4.5 Series Motor Coil Connections

4.3 Connection of Limits And Datum

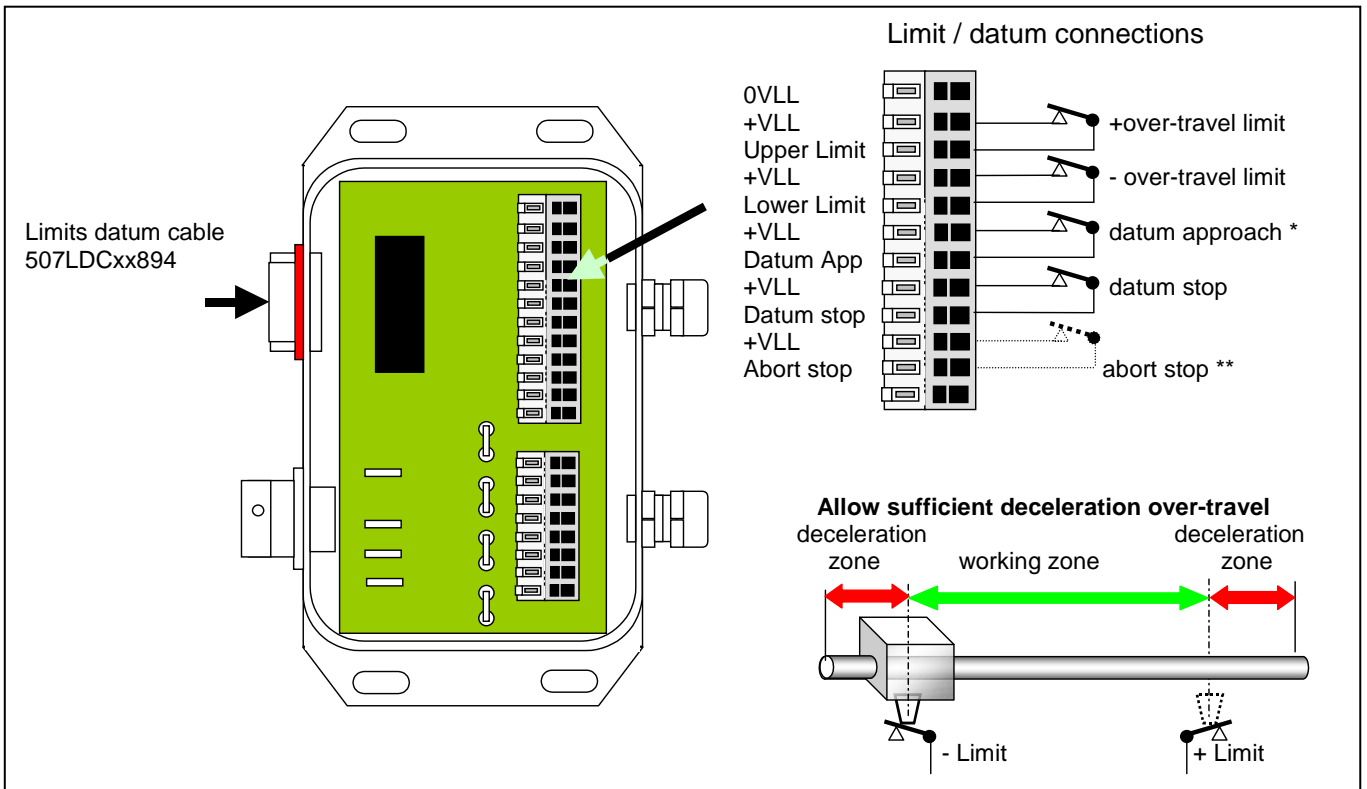


Fig. 4.5 Limit/Datum Connections

All limit and datum signal inputs should utilise normally closed contacts.

- Note*
- The datum approach signal is not always required. This is the case when:
 - The motor is operated at slow (creep speed) since it is not necessary to decelerate before stopping at the datum point. In this case the datum approach terminals should not be connected.
 - When the controller is configured to utilise the high-speed datum registration feature. In this case, the datum approach connections should be linked.

Note ** This connection enables an external open contact to abort a move. However for this feature to be utilised it is necessary to remove an internal link LK8 within the controller.

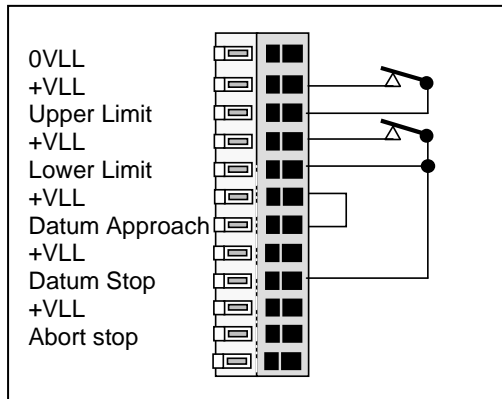
It should be noted that the limit switches should be placed sufficiently within the total travel distance to allow the motor to decelerate from high speed.

They should also be mounted for sliding operation, so that they do not become crushed on first use. No mechanism can decelerate instantaneously.

4.3.1 Datum Position

The *datum* position is detected as the *datum stop* switch opens. It is also summed with the encoder *index* signal (if fitted). For further information, refer to the Datum Search Strategies section (2.13) of the PM600 manual.

4.3.2 Using Over-travel limits as datum inputs.



In applications where space is limited, the over-travel limit switches may also be used as the datum stop switch. In the example shown the lower limit switch is also connected to the datum stop input and the controller is configured to utilise the high-speed datum approach facility.

Fig. 4.6 Limit/Datum Connections

5 Power Supply Unit

The power supply unit used in this system has been designed to energise an MSE570 stepper drive and a PM600 Position Controller.

It provides the unregulated logic supply of +24V (nominal) to the PM600, and an unregulated supply of +40V (nominal) to the MSE570.

There is a mains fuse fitted in the mains inlet, its rating is 2A anti-surge. There are two front panel fuseholders that protect the DC outputs of the power supply. The rating of the fuses are 3.15A for the motor rail and 1A for the logic rail.

The mains voltage may be changed from 230V to 115V by changing the position of the links on the MSE779 PCB.

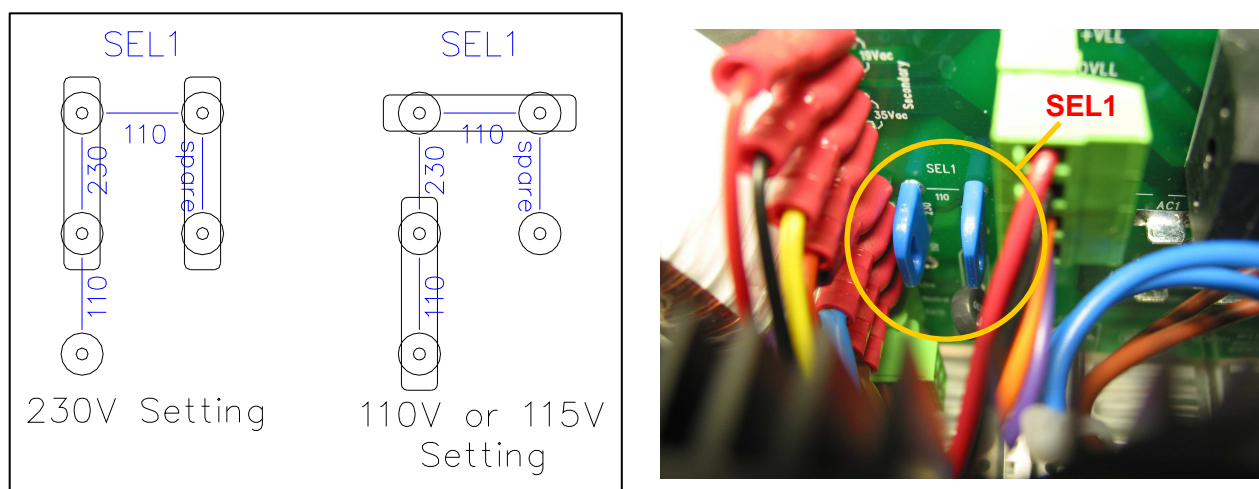


Fig. 5.1 Mains Voltage Selector

6 MSE570 Stepper Drive

The MSE570 stepper drive translator is a 3.5A per phase bi-polar stepper drive. The clock and direction signals from the PM600 controller are converted into chopped, constant current drive levels to energise a bipolar stepper motor. The step sequence is set to *half step*. Using a hybrid type stepper motor, 400 steps per revolution will be obtained.

A thermal sensor protects the output devices in case of overheating. If the drive temperature exceeds 80° C, the thermal sensor will operate. With the switch settings shown below, the drive is disabled (SW1-1=on) and the condition is latched (SW1-2=on). The latched condition can only be reset by removing the power.

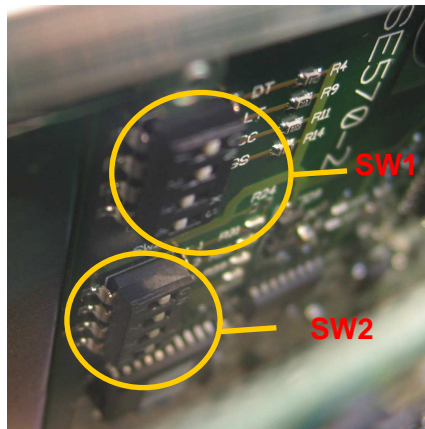


Fig. 6.1 MSE570 Set-up Switches

6.1 General Set-up:

SW1

1	<input type="checkbox"/>	DT	Disable on Overtemperature - on
2	<input type="checkbox"/>	LT	Latch Overtemperature - on
3	<input checked="" type="checkbox"/>	CC	Current Control Type - slow
4	<input checked="" type="checkbox"/>	SS	Slave Sync – off

Off On

6.2 Current Setting

As delivered the motor phase current is set to 3.5A/phase.

SW2

1	<input type="checkbox"/>
2	<input type="checkbox"/>
3	<input type="checkbox"/>
4	<input type="checkbox"/>

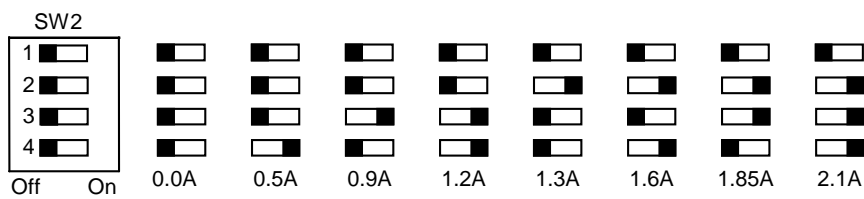
Off On

6.3 Other MSE570 Current Settings

The current setting for the motors detailed below when wired with coils in parallel is 3.5A (default).

Current settings for motors wired with coils in series.

Motor	Current (A)
23HSX-206	2.1
23HSX-306	2.1
34HSX-108	2.7
34HSX-208	2.7



WARNING! Failure to make the correct current settings can damage the motor

7 Manual Operation Using the Jog Box or Joystick

The **Sim-Step** controller can be operated in manual mode by means of either a jog box or joystick. These devices should be connected to the *Jog* connectors on the rear of the unit.

7.1 Jog Boxes - JC Series

JC Series Jog boxes provide a convenient way to manually control motor control systems. Three models, the JC100 single-axis, the JC200 dual axis and the JC809 multi-axis are available and provide the following manual control functions:

- Bi-directional single step (jog) function by momentary depression of '+' or '-' buttons.
- Slow speed continuous operation in desired direction by the depression and holding of the '+' or '-' buttons. The speed of movement can be programmed using **SJ** command into the **Sim-Step** during commissioning.
- Fast speed, continuous operation in desired direction by depressing & holding the 'F' button together with either the '+' or '-' button. The fast positioning rates are can also be programmed using **SF** command into the **Sim-Step** during commissioning.

Figures 7.1 to 7.3 show the connections of the JC series Jog Boxes to the **Sim-Step**.

For single axis drives specify JC100 Jog box and connect it to the green 'D' connector on the **Sim-Step** as shown in fig 7.1.

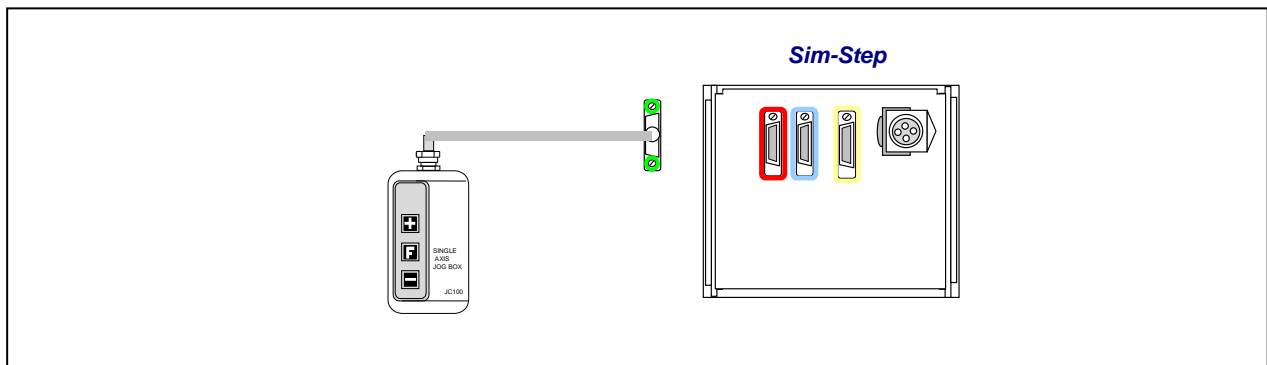


Fig. 7.1 Single axis installations

For dual axis drives specify JC200 Jog box and connect it to the green 'D' connector on the **Sim-Step** as shown in fig 7.2.

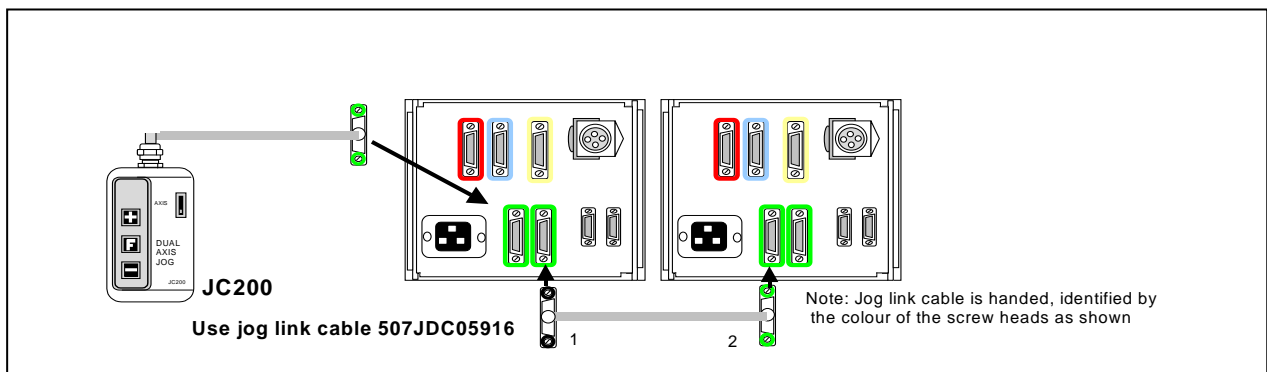


Fig. 7.2 Dual axis installations

For 3-15 axes drives specify JC809 Jog Box and connect it to the green 'D' connector on the **Sim-Step** as shown in fig. 7.3.

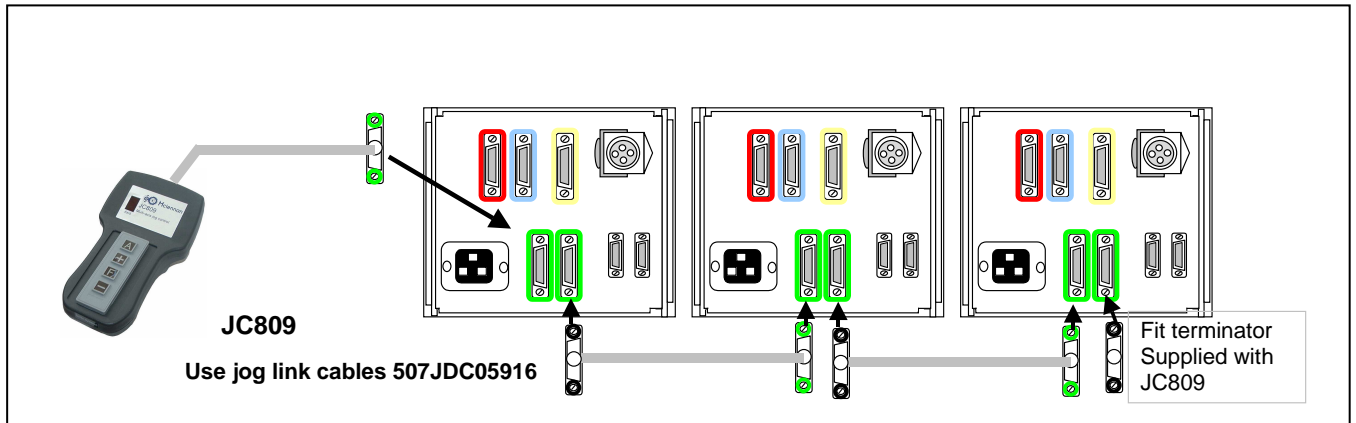


Fig. 7.3 3-15 axis installations

7.2 Single and Dual Axis Jog Box Operation

Jog box operation is very straightforward. Once connected, the jog box will control the motor as follows. Pressing either the + or – button causes the motor to move in the positive or negative rotation direction. The speed of rotation is determined by the **Slow Jog (SJ command)** speed that has been set in the PM600. Momentarily pressing the + or – buttons causes the motor to move in single steps.

Pressing the F button together with either the + or – buttons causes the motor to move at the Fast Jog (**SF command**) speed that has been programmed into the PM600 (see pages 7-48 and 7-49 of the PM600 manual)

7.3 Multi-axis Jog Box Operation

The MSB867 interfaces between the JC809 Multi-axis Jog Box and the PM600.

It communicates to the JC809 via signals transferred over a RS485 link. The outputs from the MSB867 connect to the PM600's Jog inputs. Connecting the 'Jog Daisy-Chain' lead between the **JOG B** connector on one system to the **JOG A** connector on the next system allows further systems to be connected to the JC809.

A rotary switch on the MSB867 sets the axis address that is shown on the JC809. This switch is accessible by removing the rear top cover of the unit. A setting of 0 will mean that the axis cannot be controlled by the JC809. The default axis is 1 but any axis between 1 and 15 can be selected. Note that axes 10, 11, 12, 13, 14 and 15 are represented by the letters A, B, C, D, E and F respectively.

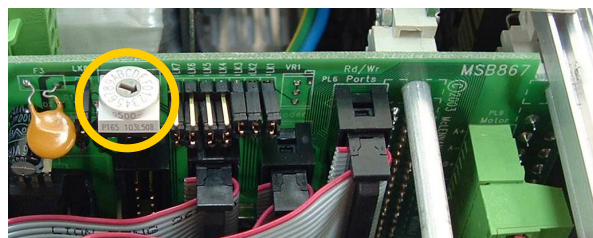


Fig. 7.4 Jog Axis Selector

7.4 Joystick - JC Series

The JC Series Joysticks provide an alternative way to manually control motor speed. The JC400 is a dual axis Joystick that can be used to control either one or two axes. The JC400 is connected in a similar way to the JC100 and JC200 Jog Boxes shown in figures 7.1 and 7.2.

7.5 Joystick Operation

In order to set the joystick parameters, the RS232 connection must be connected to a PC.

The joystick option gives variable control of the motor speed – the further the joystick is moved from the centre position, the faster the motor moves. Before the joystick option can be used, the joystick centre and minimum/maximum positions must be calibrated. Note that the *Sim-Step* is set up for **Jog Box** operation as standard.

The controller must then be told to accept the joystick input using the command **1JM01000000** (see PM600 manual page 7-27).

Assume that the controller is set as Axis 1 and that the joystick is in the “free” (i.e. mid range) position. The command **1AI3** will interrogate the joystick position; the controller will then display a value in the format **01:2126**, where 01: refers to Axis 1, and 2126 is the joystick centre position.

Now hold the joystick at one extreme of its range and repeat the 1AI3 command; note this number and then repeat at the other extreme of the joystick range. Let us assume that the following data are given from the 1AI3 command:

Low	1688
Centre	2126
High	2568

This means that the *range* either side of centre is ~440 units (note that the “centre position” may not be *exactly* in the middle of the upper and lower readings).

1JC2126 This sets the centre position. A value of JC=0 will use the value of a joystick centre tap signal, connected to Analogue input 5, to set the centre position.

1JR340 This sets the +/- range of the joystick (JR = *range* – 2 x JT)

1JT50 This sets the joystick threshold – this is the “deadband” around the centre position. If the joystick is moved by less than the deadband value, the motor will not move.

Note: You must use the **1BD** (backup digiloop) command in order to store these parameters otherwise they will be lost when power to the controller is switched off.

For further information, refer to the Joystick Calibration section (2.19) of the PM600 manual.

8 PM600 Intelligent Stepper Motor Controller

The PM600 is a microprocessor-based unit for controlling servo or stepper motors. The controller has a wide range of functions available; these are described in detail in the PM600 manual included with this documentation. The **Sim-Step** will operate under manual control with either a jog box or joystick, or can run under remote control through the RS232 (or RS485) interface.

Basic information on the command structure and the RS232 interface is given below; the user should refer to the PM600 manual for complete details.

8.1 General

The PM600's switches have been set as follows:

RS232 Control

The controllers are set to axis address 1

The baud rate is set to 9600 baud

The word mode is set to 7 bits, even parity

Quiet mode is selected

Rotary switches SW1 and SW2 set the axis address. These are set to the actual address required. SW3 sets the communication configuration. For further information refer to the Switch Setting section (10) of the PM600 manual

The control mode has been set to open-loop stepper mode by the command **1CM11**. When using the **Sim-Step** with an encoder, the control mode can be changed to closed-loop stepper by the command **1CM14**.

8.2 Setting Up The Encoder (Closed-loop Control Modes Only)

Each edge of the quadrature signals is counted, so the number of encoder counts per revolution will be four times the line count of the encoder.

The PM600 can be used with encoder producing either 5V TTL signals or 5V *line driver* signals. The correct termination should be set. This gives maximum noise immunity. The use of encoders with *line driver* type signals is recommended where the encoder lead length will exceed 1m.

8.2.1 Encoder Termination

Switch SW4 selects the termination for the encoder signals. If using differential signals then the encoder termination should be switched on. With 5V TTL encoders, the encoder termination switches should be switched off.

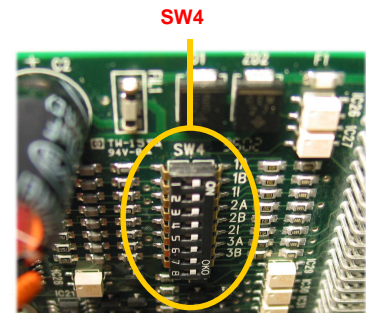
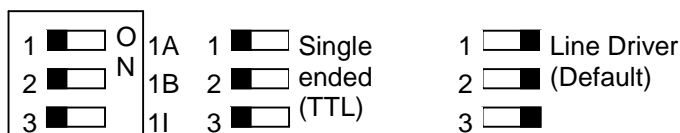


Fig.8.1 Encoder Termination Configuration Switch SW4

8.2.2 Encoder Scaling

The incoming encoder pulses are scaled by the encoder ratio (**ER**) formed by the Encoder Numerator (**EN**) and the Encoder Denominator (**ED**) i.e. the number of pulses received is multiplied by the numerator and divided by the denominator, to become the Actual Position.

If the ratio between the number of steps and the encoder counts is 1:1 (e.g. 100 line encoder = 400 counts per revolution mounted on a 400 step per rev motor) then the encoder scaling factors; Encoder Numerator and Encoder Denominator can be left at their default of 1, otherwise they will need to be changed.

If the Encoder Numerator (**EN**) is set to the number of motor steps per revolution and the Encoder Denominator (**ED**) is set to the number of encoder counts per revolution, then the ratio will be correct. For example, if a 400 step per revolution motor fitted with a 500 line (2000 counts) encoder, then set the Numerator to 400 and the Denominator to 2000 (**ER400/2000** or **EN400, ED2000**).

8.2.3 Encoder Direction

On switch on, both the Command Position and the Actual Position will both be at zero. Try a test move (e.g. **MR1000**) and query the positions with the **OC** and **OA** (or **QP**) commands, to ensure the scaling is correct. If one is the negative of the other, then the 'sense of direction' needs to be reversed, by either swapping the A and B signals OR by setting the Encoder Numerator to a negative value.

8.3 Programming via the RS232 Interface

Any suitable communication programme can be used to communicate with the **Sim-Step** controller. For example, the **MyTerminal** programme (available from www.Sim-Step.co.uk) or the Windows Hyper Terminal programme can be used to make the communications link.

Whichever software is used, the communications interface is set by default, as follows:

Baud Rate	9600
Data Bits	7
Stop Bits	1
Parity	Even
Flow Control	None

Once the communications software has been set up, the remote computer should be connected to the **Sim-Step** via the **RS232 IN** port. Multiple **Sim-Step** units can be *daisy-chained* together to build multi-axis systems. Rotary switches SW1 and SW2 on the PM600 card are used to set the units axis address (0 to 99). This is the address of the serial commands that it will respond to. Each controller in a system will be set to a different address.

The switches on the PM600 are accessible by removing the slotted top cover of the unit. The left-hand switch SW1 sets the decade value and SW2 sets the units. They can be set using a small screwdriver. See figures 8.2 and 8.3.

Note that the RS232 loop-back connector must be fitted to the **RS232 OUT** connector of the final **Sim-Step** in the RS232 chain.

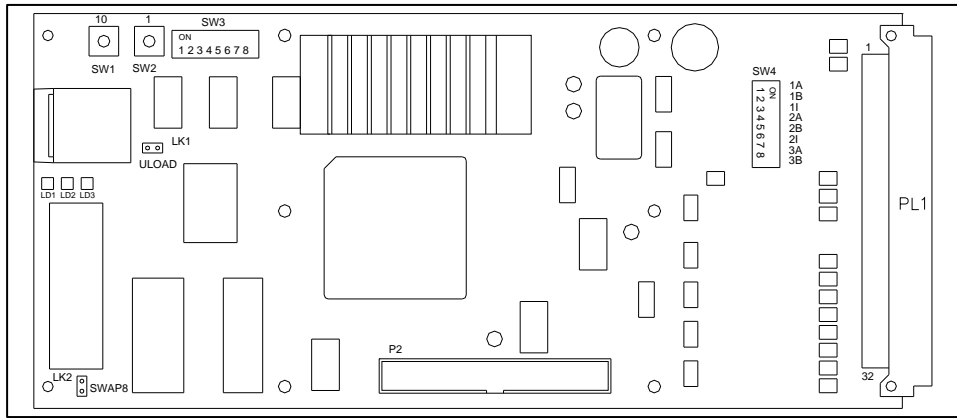


Fig. 8.2 PM600 Switch Positions

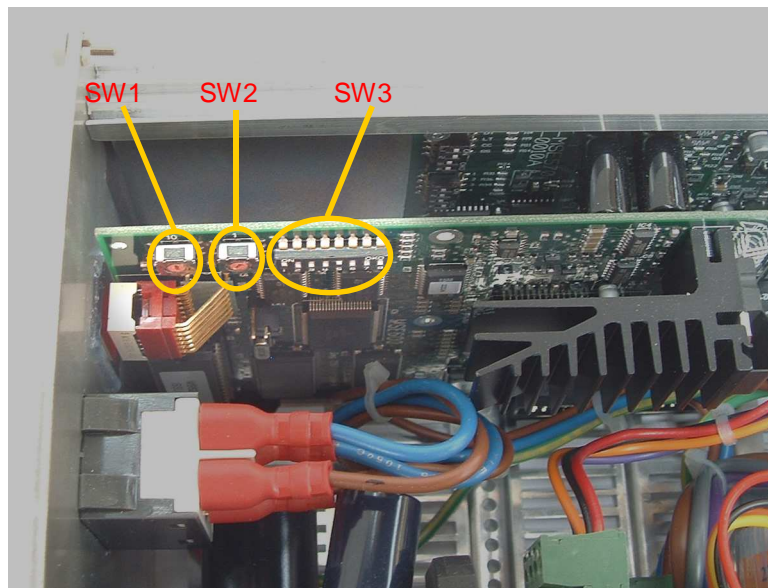


Fig. 8.3 Positions of PM600 Switches SW1, SW2 and SW3

8.4 General Command Structure

The PM600 responds to a character string (sent over the RS232 interface) that defines a command in the following way:

adXXnnn<cr> where
ad = **address** for the axis (see 8.1 above)
XX = **command notation** – all commands are two letters
nnn = **numeric value** for the command argument (if required)
<cr> = **carriage return**

Command strings must be terminated with a carriage return (ASCII 0D hex). Upper or lower case characters maybe used for the command. Spaces in the command line are ignored. Commands are acted upon sequentially, as they have been entered.

8.5 Examples of Command Structure

Set-up commands:

2SA5000 Set Axis 2 acceleration to 5000 steps/sec²
1LL-20000 Set Axis 1 lower software limit to –20000 steps
1QA Query all settings for Axis 1

MOVE COMMANDS:

1MR5000 Move Axis 1 relative to current position by +5000 steps
1ST Soft stop on Axis 1
2MA-2000 Move Axis 2 to absolute position –2000 steps
2OA Output the encoder position of Axis 2

The **Sim-Step** controller responds to all commands once the command has been accepted. However, not all commands can be accepted immediately. For example, a move command sent whilst a previous command is still taking place, will be delayed until the previous one is finished. Commands in general will have an OK response. Some commands, however, will produce a numeric response (e.g.2OA) or produce a string of data (e.g. 1QA).

All replies are preceded by the address of the axis that generated the response – e.g. for axis one the replies will be preceded by **01:OK**.

Important – if the set-up of the PM600 is changed then the **BA** (backup all command) **must** be executed to save set-up values and sequences to Flash memory. If this not done, the values will be lost on power-down.

The user may encounter error message from the controller under certain circumstances, e.g. mistakes in commands or conflicting instructions. The messages are usually self-explanatory; they are listed on page 8-1 of the PM600 manual.

9 I/O Cable and Breakout Box

Eight inputs (Read Ports) and eight outputs (Write Ports) can be used for external digital interfacing.

An I/O cable with the 'breakout' DIN rail mounting terminal box can be used to interface to the **Sim-Step** without needing to make a special cable.

The I/O breakout box features screw terminals to enable the 16 Digital I/O to be connected. The unit is DIN rail mounted so that it can be sited next to a typical PLC control unit

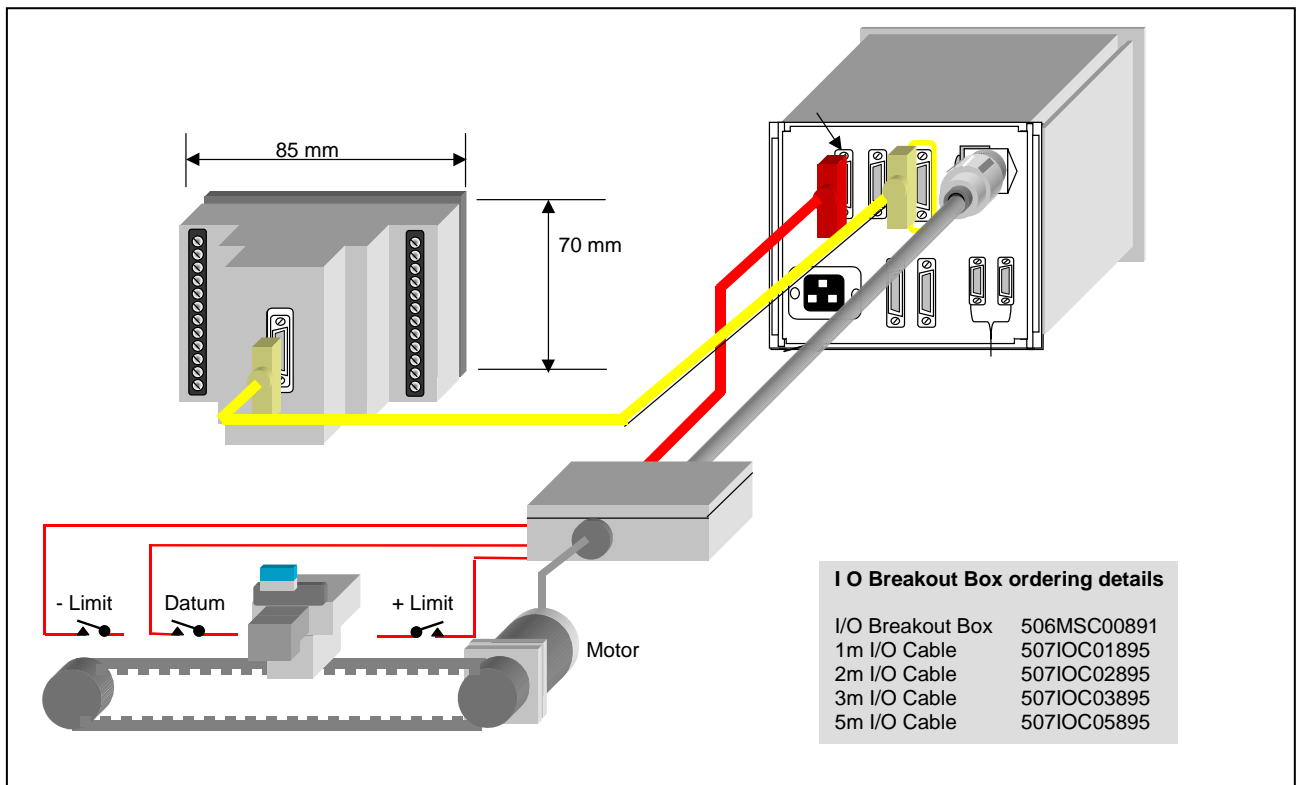


Fig. 9.1 I/O Breakout Box and I/O Cable

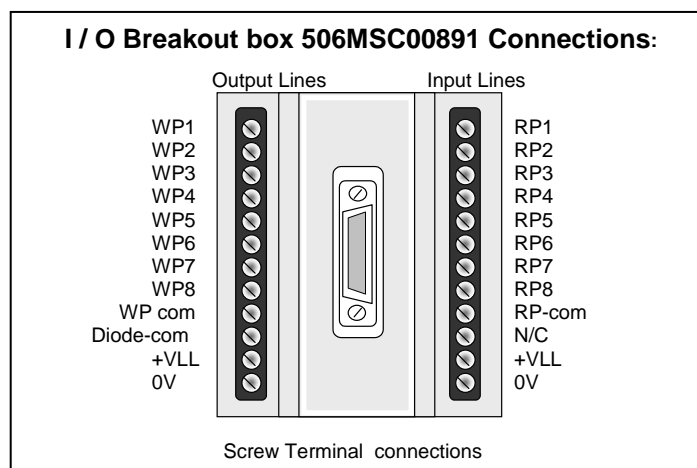


Fig. 9.2 I/O Breakout Box Connections

9.1 Isolation

The *Read Port* inputs and *Write Port* outputs are opto-isolated. A +24V nominal supply must be used as the common for these inputs. This supply can either be a separate external supply or the **Sim-Step's** internal +24V supply. If the internal supply is used, then the **WP-com** terminal must be connected the **+VLL** terminal on the Breakout box and the **RP-com** terminal must be connected the **0V** terminal on the Breakout box. If a separate supply is used then the **WP-Com** terminal must be connected to the +24V terminal of the external power supply and the **RP-Com** terminal must be connected to the 0V terminal of the external power supply. The +24V output from the external supply can be used for the common of the switches.

9.2 Typical Connections

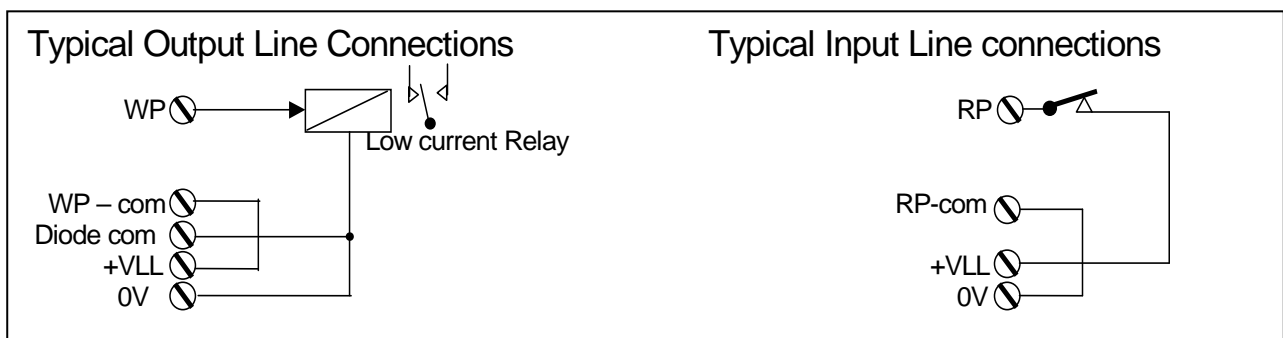


Fig. 9.3 Typical Connections to the I/O Breakout Box

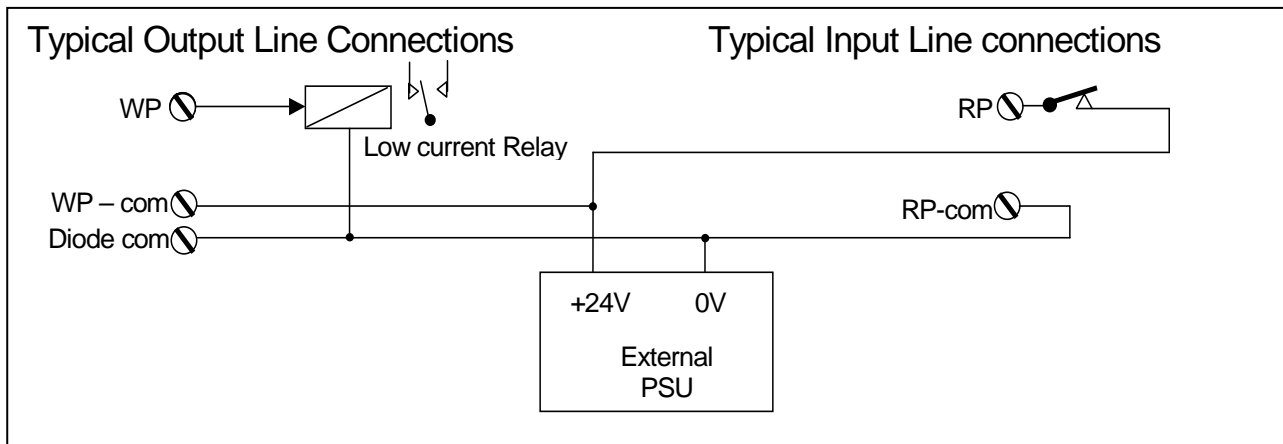


Fig. 9.4 Typical I/O Connections using an External Supply

9.3 Read Ports

The *read ports* can be connected to a PNP signal output, a switch, or another **Sim-Step's** *write port*.

The **RP** Read input Port command is used to check the operation of the *read ports*. This instruction returns an eight digit binary number of either **0** or **1** characters to represent the current state of the read port. These start with *read port* 8, through to 1. Referring to figures 9.3 and 9.4, a **1** represents a closed switch and a **0** represents an open switch.

The input voltage that is considered as a logic 1 signal is 10-35V and the input voltage that is considered as a logic 0 is 0-5V.

9.4 Write Ports

The *write ports* can be connected to an indicator (LED), an opto-isolator, a low-current relay or another *Sim-Step's read port*. The **WP(bit pattern)** command is used to write to the output port.

The bit pattern is specified as an eight digit binary number. The digits will be either characters **0**, **1** or **2** starting with *write port* 8 through to 1. A **0** defines that the output will be **off**, a **1** defines that the output will be **on** and a **2** defines that the output will not change from its current state. The power-on states of the *write ports* are **00000000** - i.e. all **off**.

The outputs are rated at 50mA, 35V.

9.4.1 Inductive Loads

The *write ports* must not be reverse biased. If used to drive an inductive load such as a relay, then protection diodes must be used. If using an MSE891, this can be done by connecting *Diode-Com* to 0V (either **0V** on the Breakout box or the external supply 0V).

10 Sim-Step Example Sequence

An example sequence is shown below. Three switches are connected to the *Read Port* to control the action of the sequence and three outputs are used to monitor the action of the sequence. One switch executes a 'home to datum' move and two switches initiate moves. The 'home to datum' move must be done before the other moves can be selected.

The moves are controlled by the following inputs.

Read Port 1 = home to datum (datum search)

Read Port 2 = move to position 1

Read Port 3 = move to position 2

When the moves are completed, the following outputs turn on.

Write Port 1 = datum search complete

Write Port 2 = at position 1

Write Port 3 = at position 2

10.1 Sequence Definitions

Sequence 0 waits for the 'Home to Datum' input to be '1' and then executes a 'home to datum' (HD) move.

1ds0	Sequence 0 – Search for Datum
1wp22222000	Turn off outputs
1wa22222221	Wait for Home input to go on
1hd	Search for datum
1we	Wait for end of move
1wp22222001	Turn on axis 1 homed
1wa22222220	Wait for Home input to go off
1xs2	Goto input scanning sequence
1es	

Sequence 2 scans the read port inputs and depending on the state of the inputs executes the moves in sequence 3 or 4. After the move is complete, the operation goes back to scanning the *read port* inputs.

1ds2 Sequence 2 - Scan for Move inputs
 1it2222212 Is Move 1 input on
 1xs3 Yes - do move
 1it22222122 Is Move 2 input on
 1xs4 Yes - do move
 1xs2 No rescan inputs
 1es

1ds3 Sequence 3 - Move 1
 1wp22222002 Turn off 'At Position' outputs
 1ma1000 Move to position 1000
 1we Wait for end of move
 1wp22222012 Turn on 'At Position 1' output
 1wa22222202 Wait for Move 1 input to go off
 1xs2 Goto input scanning sequence
 1es

1ds4 Sequence 4 - Move 2
 1wp22222002 Turn off 'At Position' outputs
 1ma5000 Move to position 5000
 1we Wait for end of move
 1wp22222102 Turn on 'At Position 2' output
 1wa22222022 Wait for Move 2 input to go off
 1xs2 Goto input scanning sequence
 1es

1bs Save sequences

1ae0 Execute sequence 0 on power-up

10.2 Configuration

Configure the **Sim-Step** to set the position to zero when the datum position is found. This will mean that moves are relative to the datum position.

1dm00100000 Set datum position to home position (0)
 1bd Save settings

10.3 Run Sequence

Either the sequence can be run by sending a 1xs command or as sequence 0 has been set as an automatically executing sequence, by cycling the power to the **Sim-Step**.

11 Order Codes

11.1 System

Type	Order Code
<i>Sim-Step</i>	508SMS09749

11.2 Motor Encoders

Frame size	Type	Order Code
Size 23	23HSX-206 CI 500L	301HSE00053
	23HSX-306 CI 500L	301HSE00054
Size 34	34HSX-108 RI 500L	301HSE00055
	34HSX-208 RI 500L	301HSE00056

11.3 Cables

Type	Order Code
Motor – 1m	507MOC01892
Motor – 2m	507MOC02892
Motor – 3m	507MOC03892
Motor – 5m	507MOC05892
Motor – 10m	507MOC10892
Encoder – 1m	507ENC01893
Encoder – 2m	507ENC02893
Encoder – 3m	507ENC03893
Encoder – 5m	507ENC05893
Encoder – 10m	507ENC10893
Limits/Datum – 1m	507LDC01894
Limits/Datum – 2m	507LDC02894
Limits/Datum – 3m	507LDC03894
Limits/Datum – 5m	507LDC05894
Limits/Datum – 10m	507LDC10894
Jog Link – 0.5m	507JDC05916
I/O – 0.5m	507IOC05895
I/O – 1m	507IOC01895
I/O – 2m	507IOC02895
I/O – 3m	507IOC03895

11.4 Junction Boxes

Type	Order Code
MSA889 – Motor & Limits/Datum	506MSC00889
MSA891 – I/O Breakout	506MSC00891

11.5 Jog Boxes & Joystick

Type	Order Code
JC100 – Single Axis	506JCT00100
JC200 – Dual Axis	506JCT00200
JC809 – Multi-Axis	506JCT00809
JC400 – Dual Axis Joystick	506JCT00400

11.6 EMC Ferrites

Type	Order Code
Cable Dia. 7 – 8.5mm	114FER00003
Cable Dia. 8.5 – 10.5mm	114FER00004

12 Limitations of Use

This system has been designed to drive a hybrid type stepper motor. Any other use has not been considered, therefore could damage the drive and could be dangerous for the users.

Good engineering practices should be employed when using this product.

The operating temperature should be between 0°C and 30°C.

Users should take suitable precautions in the application of this product, to ensure that the overall system complies with EN50081-1 and EN50082-1 (EMC directive).

These products should not be put into service until the machinery in which they are incorporated has been declared in conformity with the provisions of The Supply of Machinery (Safety) Regulations 1992 and The Supply of Machinery (Safety) (Amendment) Regulations 1994 (Machinery Directive).

Motor control systems are inherently hazardous. Even a small motor, if coupled to a leadscrew, gearbox, or any other form of mechanism that provides a mechanical advantage, can generate considerable force and could cause serious injury. Incorrect operation can also lead to damage to the motor or associated machinery.

SAFETY NOTICE

Motor drive systems are inherently hazardous. Even a small motor, if coupled to a leadscrew, gearbox, or any other form of mechanism which provides a mechanical advantage, can generate considerable force and could cause serious injury. Incorrect operation can also lead to damage to the motor or associated machinery



Static sensitive devices - This unit has static sensitive devices. Observe handling precautions: Hold card by edges only. Do not touch connector pins. Ship only in anti-static packaging.



Warning - Mains voltages can be present within a system, do not adjust, service, dis-assemble or otherwise work on this system whilst power is applied.



In accordance with European directive 2002/96/EC on Waste Electrical and Electronic Equipment (WEEE), disposal of this item must be through the correct channels for WEEE. It should not be disposed of by landfill.



This item can be returned to Mclennan for end of life disposal under the WEEE directive, contact Mclennan for further information.

