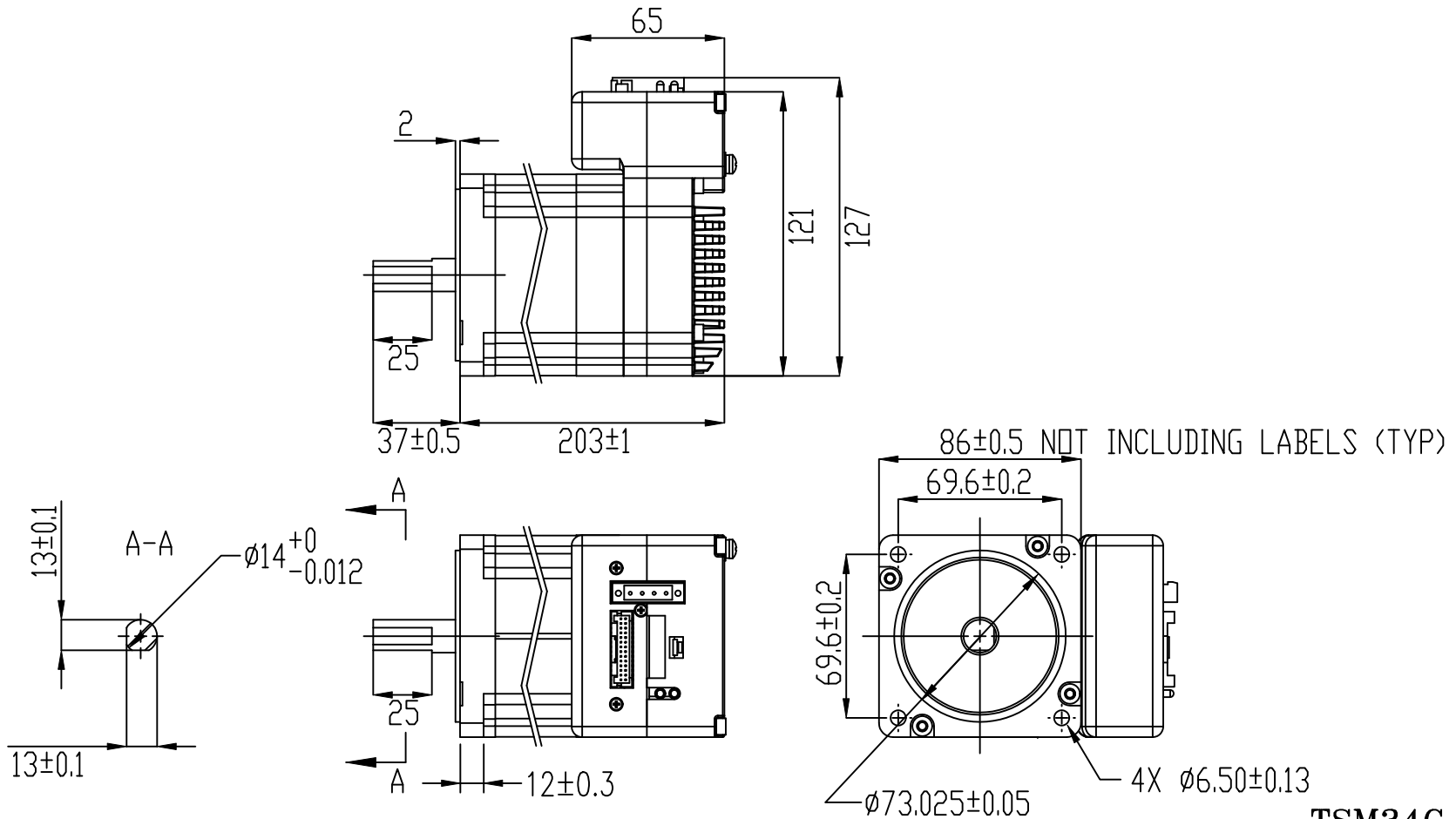


REVISIONS				
ECO NO.	REV	DESCRIPTION	DATE	APPROVED
7466	A	INITIAL RELEASE	8/31/16	J.KORDIK



TSM34C-6CG

TOLERANCES	THIRD ANGLE PROJECTION		APPLIED MOTION PRODUCTS, INC.	
*ALL DIMENSIONS IN MM			INTEGRATED StepSERVO MOTOR OUTLINE DRAWING	
DECIMALS: MM				
X.XX = ±0.13	DRAWN	K.KESLER		7/13/16
X.X = ±0.25	CHECKED	-		-
ANGLES:	APPROVED	-		-
MACH. = ±0.5°	COMPUTER DATA	B		DWG NO. TSM34C-6CG
CHAM. = ±5°	BASE DRAWING	-		REV A
		SCALE: NONE		SHEET 1 OF 1