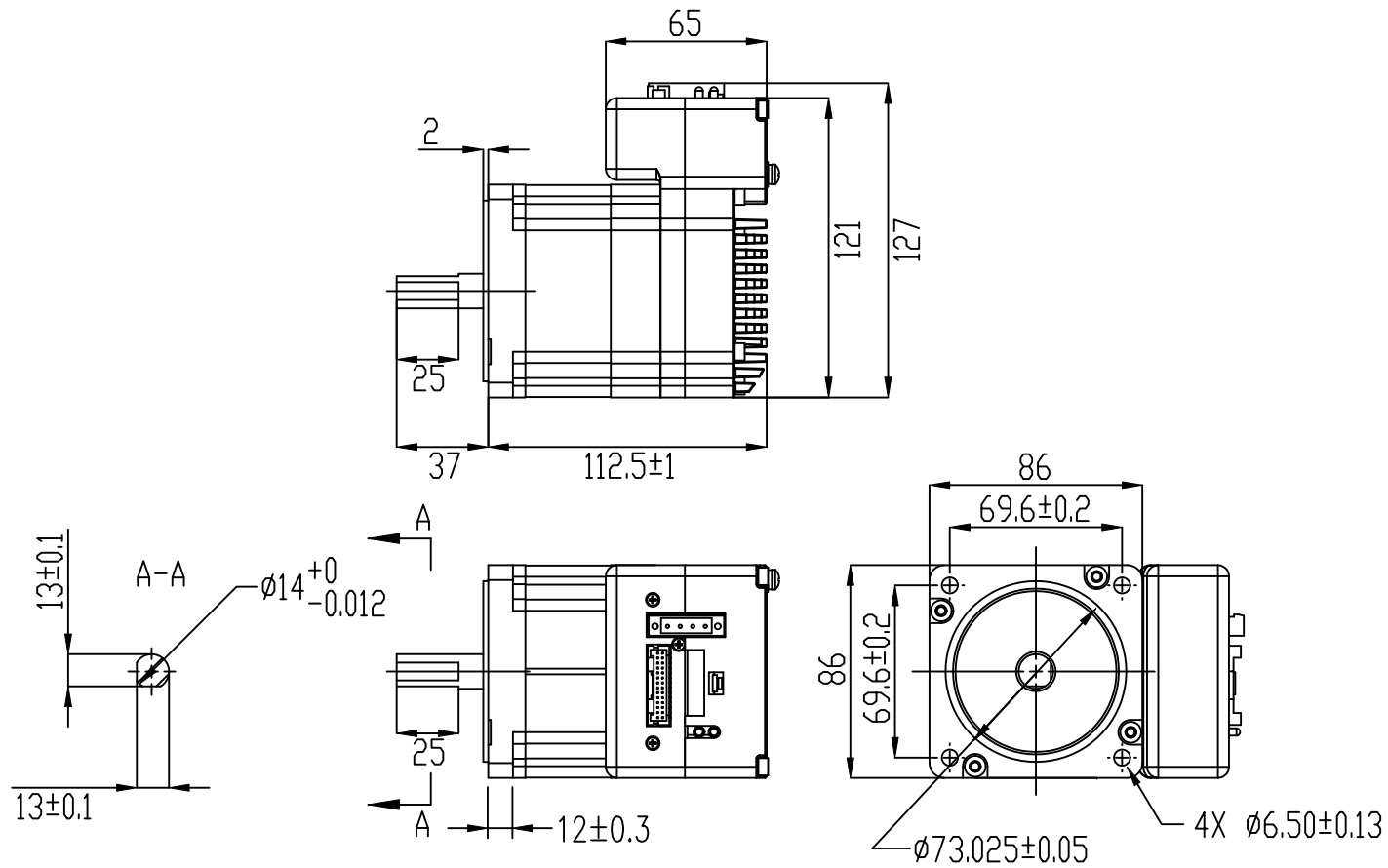


REVISIONS				
ECO NO.	REV	DESCRIPTION	DATE	APPROVED
7466	A	INITIAL RELEASE	8/31/16	J.KORDIK



TSM34C-1CG

TOLERANCES	THIRD ANGLE PROJECTION		APPLIED MOTION PRODUCTS, INC.	
*ALL DIMENSIONS IN MM DECIMALS: MM X.XX = ±0.13 X.X = ±0.25 ANGLES: MACH. = ±0.5° CHAM. = ±5°			INTEGRATED StepSERVO MOTOR OUTLINE DRAWING	
	APPROVALS	DATE		
	DRAWN K.KESLER	7/13/16	DWG NO. TSM34C-1CG	
COMPUTER DATA BASE DRAWING	APPROVED -	-	SCALE: NONE	SHEET 1 OF 1