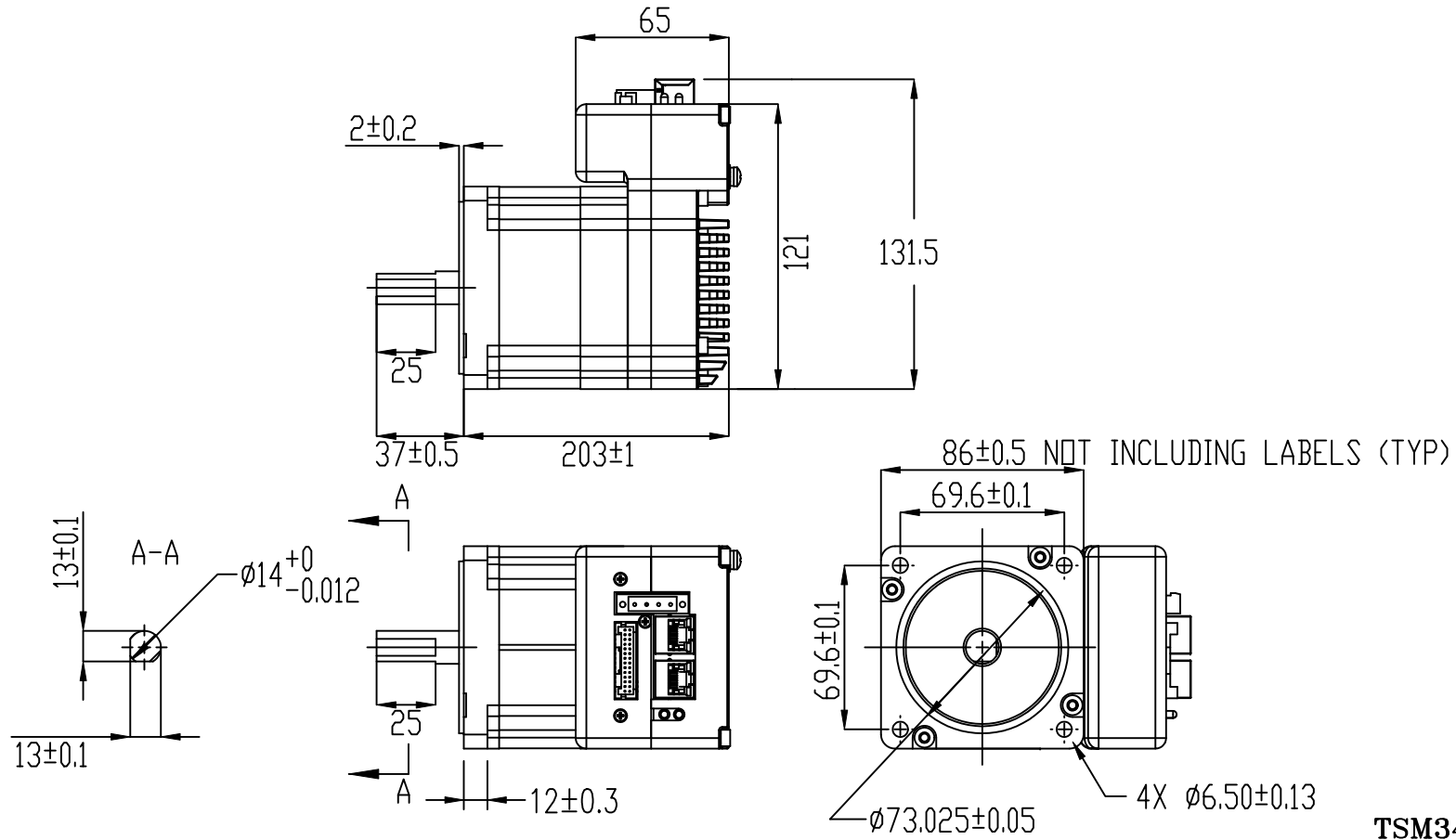


REVISIONS				
ECO NO.	REV	DESCRIPTION	DATE	APPROVED
7466	A	INITIAL RELEASE	8/31/16	J.KORDIK



**TSM34Q-6DG**

TOLERANCES	THIRD ANGLE PROJECTION		APPLIED MOTION PRODUCTS, INC.	
*ALL DIMENSIONS IN MM DECIMALS: MM X.XX = ±0.13 X.X = ±0.25 ANGLES: MACH. = ±0.5° CHAM. = ±5°			<b>INTEGRATED StepSERVO MOTOR OUTLINE DRAWING</b>	
	APPROVALS	DATE	B	DWG NO. TSM34Q-6DG
	DRAWN K.KESLER	7/13/16		
	CHECKED	-	SCALE: NONE	
COMPUTER DATA BASE DRAWING	APPROVED	-	SHEET 1 OF 1	