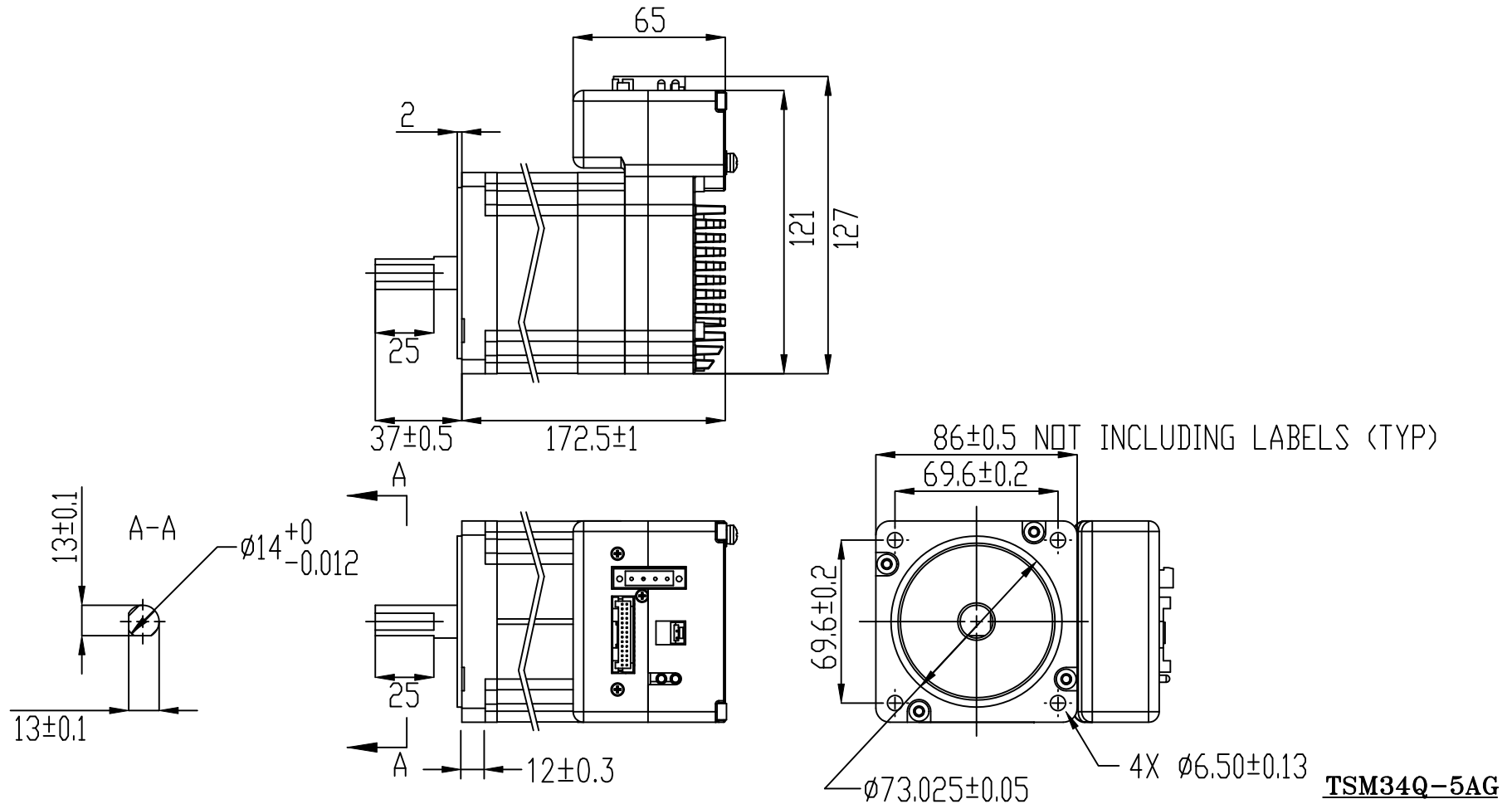


REVISIONS				
ECO NO.	REV	DESCRIPTION	DATE	APPROVED
7466	A	INITIAL RELEASE	8/31/16	J.KORDIK



TSM34Q-5AG

TOLERANCES	THIRD ANGLE PROJECTION		APPLIED MOTION PRODUCTS, INC.		
*ALL DIMENSIONS IN MM DECIMALS: MM X.XX = ± 0.13 X.X = ± 0.25 ANGLES: MACH. = $\pm 0.5^\circ$ CHAM. = $\pm 5^\circ$			INTEGRATED StepSERVO MOTOR OUTLINE DRAWING		
					APPROVALS
	DRAWN K.KESLER	7/13/16	B	DWG NO. TSM34Q-5AG	REV A
	COMPUTER DATA BASE DRAWING	CHECKED -	APPROVED -	SCALE: NONE	SHEET 1 OF 1