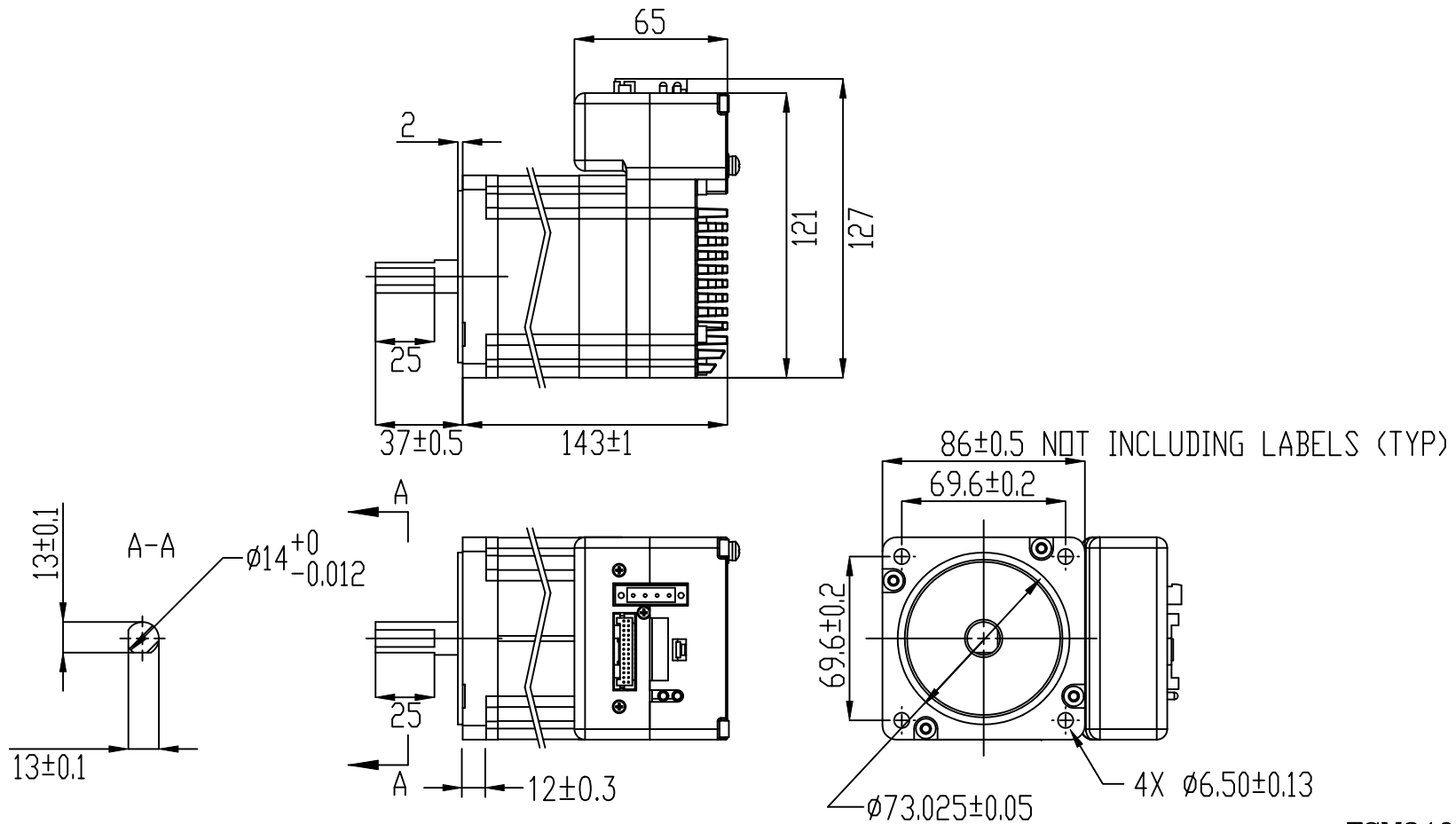


REVISIONS				
ECD NO.	REV	DESCRIPTION	DATE	APPROVED
7466	A	INITIAL RELEASE	8/31/16	J.KORDIK



TSM34Q-3RG

TOLERANCES	THIRD ANGLE PROJECTION		APPLIED MOTION PRODUCTS, INC.	
*ALL DIMENSIONS IN MM DECIMALS: MM X.XX = ± 0.13 X.X = ± 0.25 ANGLES: MACH. = $\pm 0.5^\circ$ CHAM. = $\pm 5^\circ$			INTEGRATED StepSERVO MOTOR OUTLINE DRAWING	
	COMPUTER DATA BASE DRAWING	DRAWN K.KESLER CHECKED - APPROVED -	DATE 7/13/16 - -	B DWG NO. TSM34Q-3RG SCALE: NONE