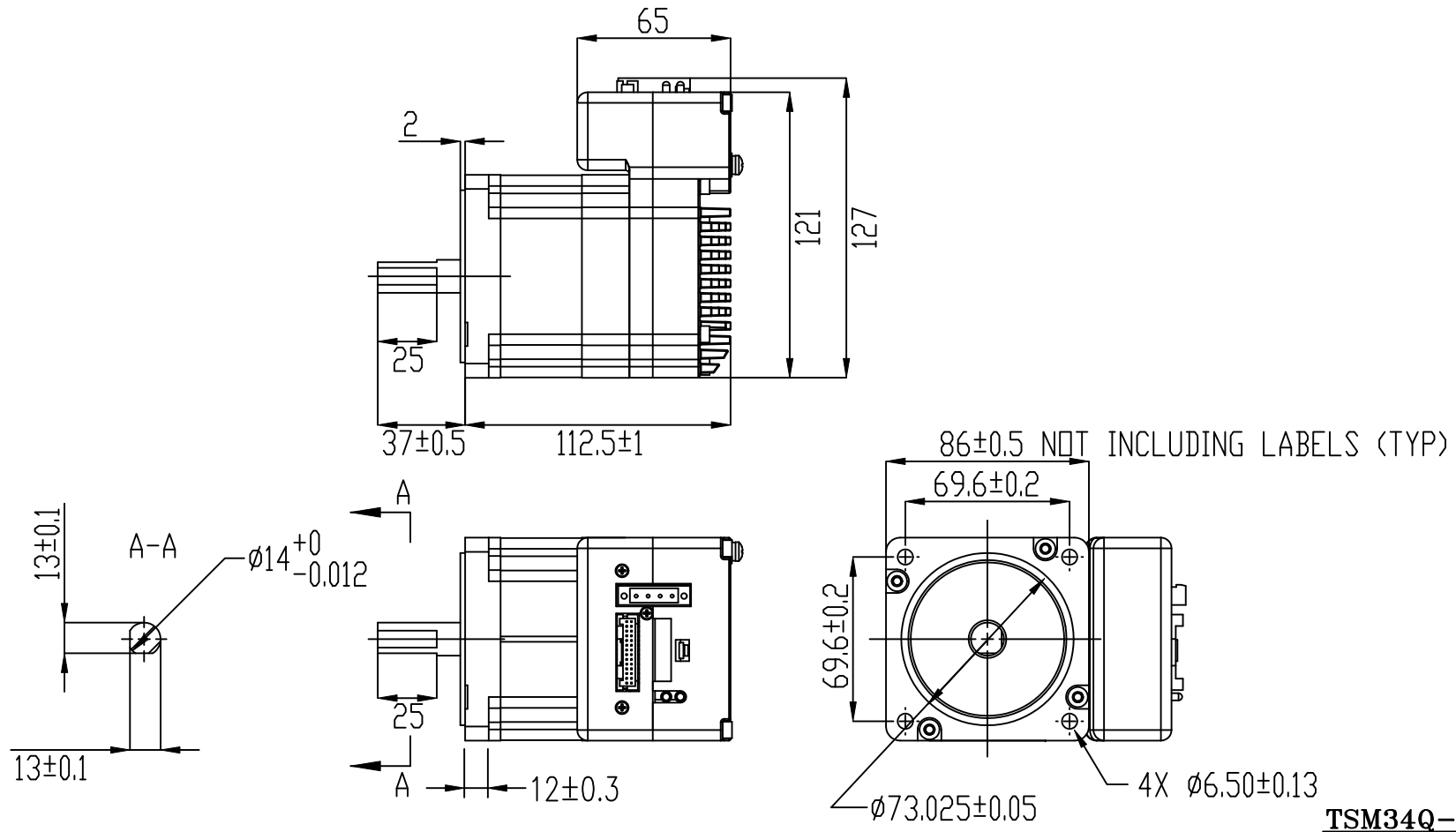


REVISIONS				
ECO NO.	REV	DESCRIPTION	DATE	APPROVED
7466	A	INITIAL RELEASE	8/31/16	J.KORDIK



TSM34Q-1RG

TOLERANCES	THIRD ANGLE PROJECTION	APPLIED MOTION PRODUCTS, INC.	
*ALL DIMENSIONS IN MM DECIMALS: MM X.XX = ±0.13 X.X = ±0.25 ANGLES: MACH. = ±0.5° CHAM. = ±5°		INTEGRATED StepSERVO MOTOR OUTLINE DRAWING	
		APPROVALS	DATE
	COMPUTER DATA BASE DRAWING	DRAWN: K.KESLER CHECKED: - APPROVED: -	7/13/16 - -
		SCALE: NONE	SHEET 1 OF 1