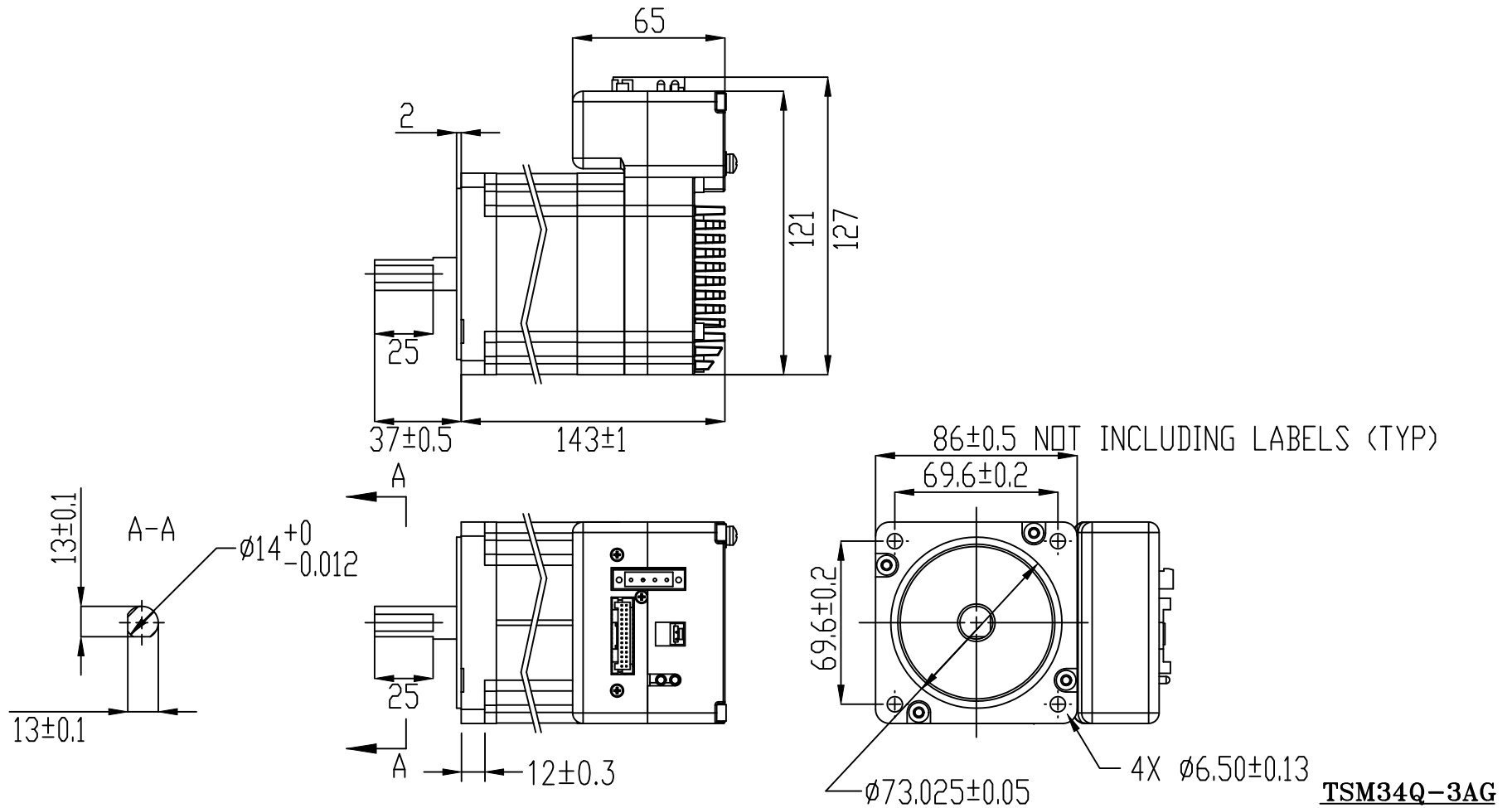


REVISIONS				
ECO NO.	REV	DESCRIPTION	DATE	APPROVED
7466	A	INITIAL RELEASE	8/31/16	J.KORDIK



**TSM34Q-3AG**

<b>TOLERANCES</b> *ALL DIMENSIONS IN MM DECIMALS: MM X.XX = ±0.13 X.X = ±0.25 ANGLES: MACH. = ±0.5° CHAM. = ±5°	<b>THIRD ANGLE PROJECTION</b> 		 <b>APPLIED MOTION PRODUCTS, INC.</b>		
	<b>INTEGRATED StepSERVO MOTOR</b> <b>OUTLINE DRAWING</b>				
	APPROVALS DRAWN K.KESLER CHECKED - APPROVED -	DATE 7/13/16 - -	B	DWG NO. TSM34Q-3AG	REV A
	COMPUTER DATA BASE DRAWING	APPROVED -	SCALE: NONE	SHEET 1 OF 1	