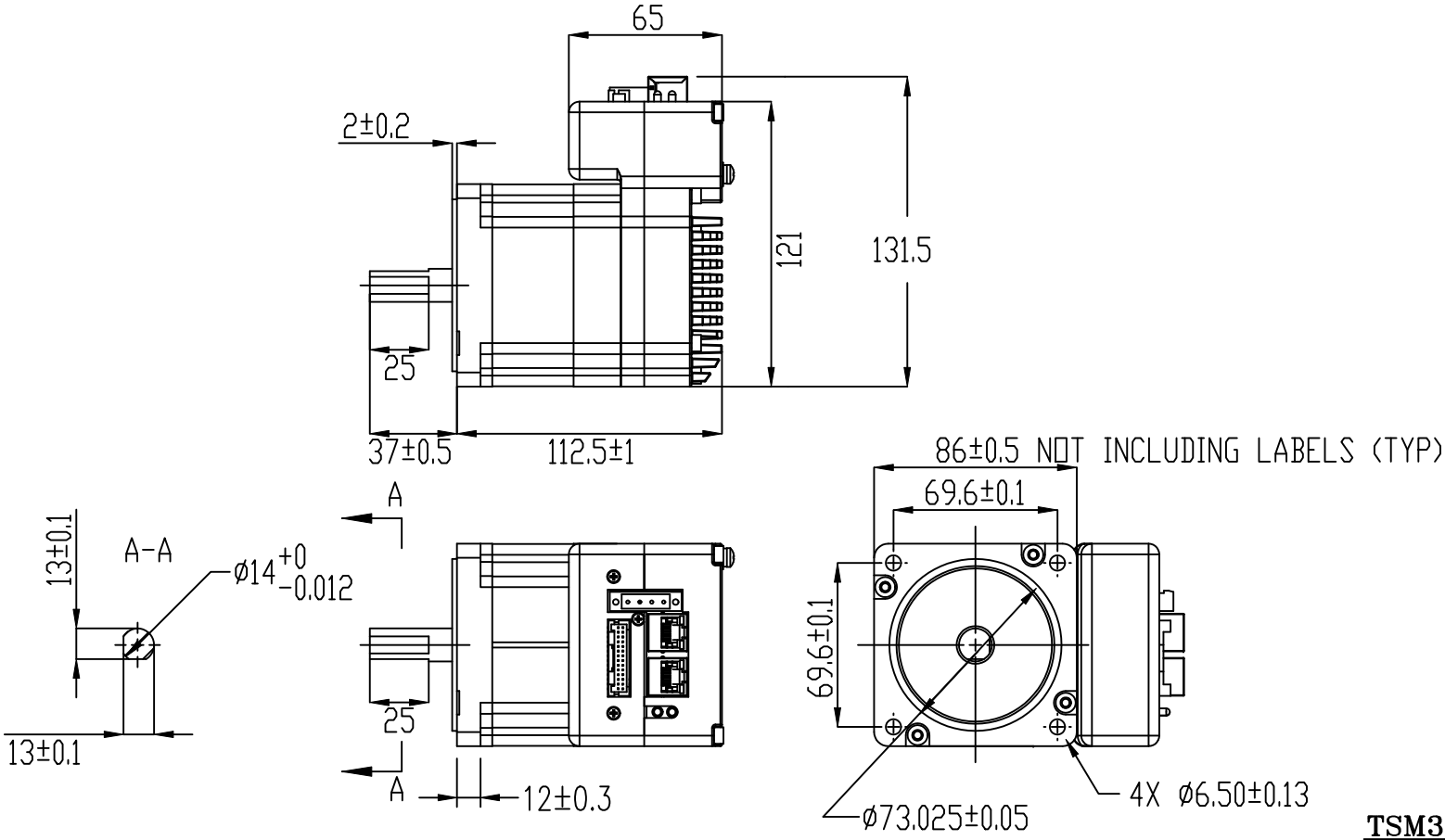


REVISIONS				
ECO NO.	REV	DESCRIPTION	DATE	APPROVED
7466	A	INITIAL RELEASE	8/31/16	J.KORDIK



TSM34Q-1DG

TOLERANCES		THIRD ANGLE PROJECTION		APPLIED MOTION PRODUCTS, INC.	
*ALL DIMENSIONS IN MM				INTEGRATED StepSERVO MOTOR OUTLINE DRAWING	
DECIMALS: MM X.XX = ±0.13 X.X = ±0.25 ANGLES: MACH. = ±0.5° CHAM. = ±5°					
COMPUTER DATA		DRAWN		B	DWG NO.
BASE DRAWING		CHECKED			TSM34Q-1DG
		APPROVED			REV
					A
				SCALE: NONE	SHEET 1 OF 1