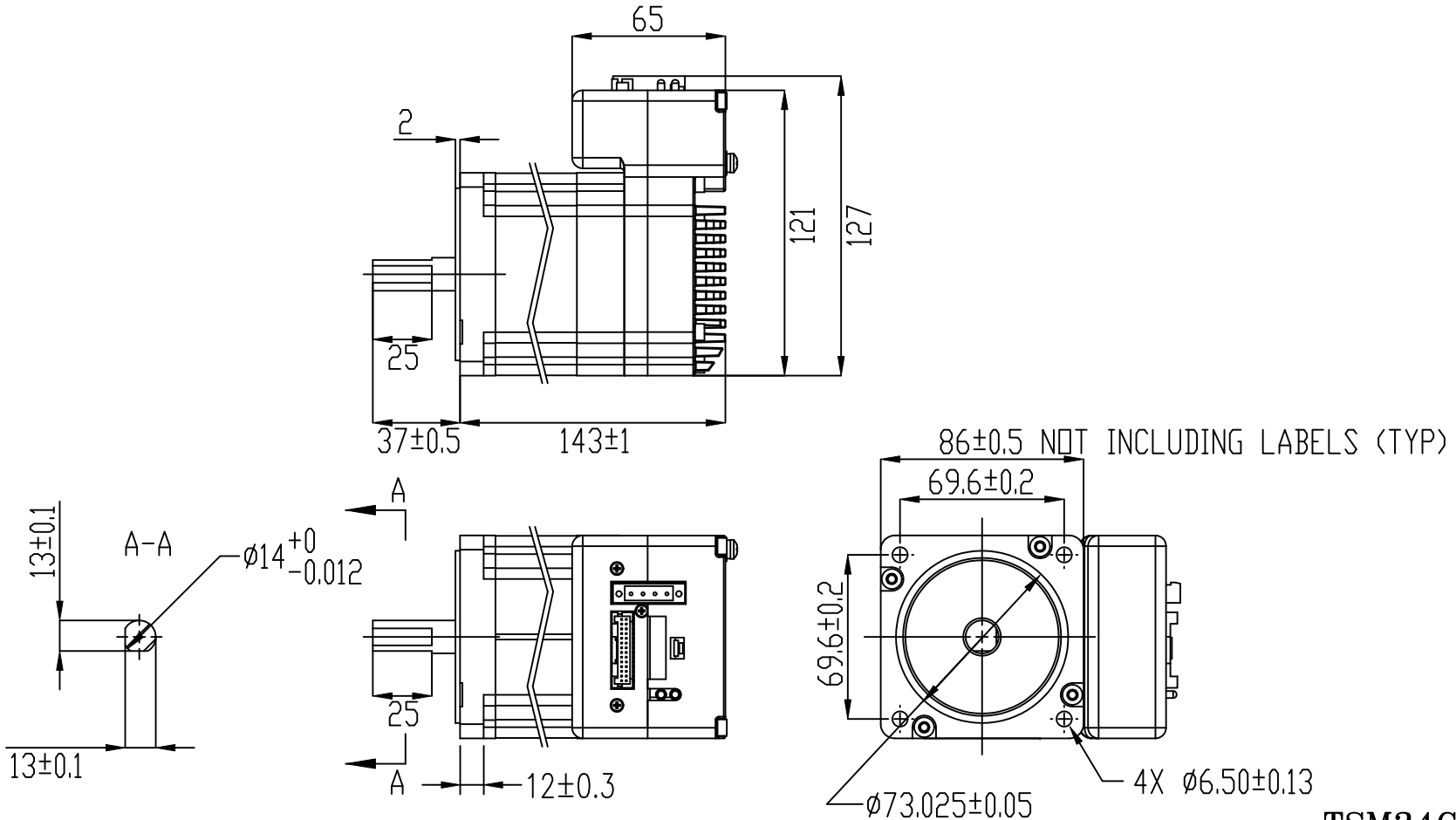


REVISIONS				
ECO NO.	REV	DESCRIPTION	DATE	APPROVED
7466	A	INITIAL RELEASE	8/31/16	J.KORDIK



TSM34C-3CG

TOLERANCES	THIRD ANGLE PROJECTION		APPLIED MOTION PRODUCTS, INC.						
*ALL DIMENSIONS IN MM			INTEGRATED StepSERVO MOTOR OUTLINE DRAWING						
DECIMALS: MM					APPROVALS	DATE			
X.XX = ±0.13	DRAWN	K.KESLER	7/13/16	<table border="1"> <tr> <td>B</td> <td>DWG NO.</td> <td>TSM34C-3CG</td> <td>REV</td> <td>A</td> </tr> </table>	B	DWG NO.	TSM34C-3CG	REV	A
B	DWG NO.	TSM34C-3CG	REV		A				
X.X = ±0.25	CHECKED	-	-						
ANGLES:	APPROVED	-	-	SCALE: NONE					
MACH. = ±0.5°	COMPUTER DATA	-	-	SHEET 1 OF 1					
CHAM. = ±5°	BASE DRAWING	-	-						