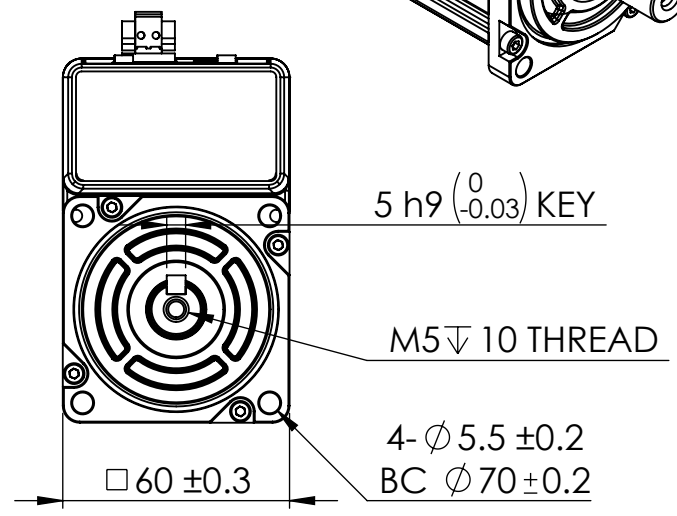
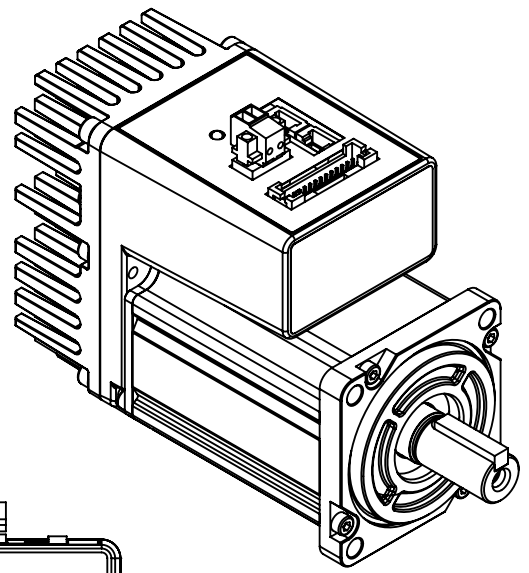
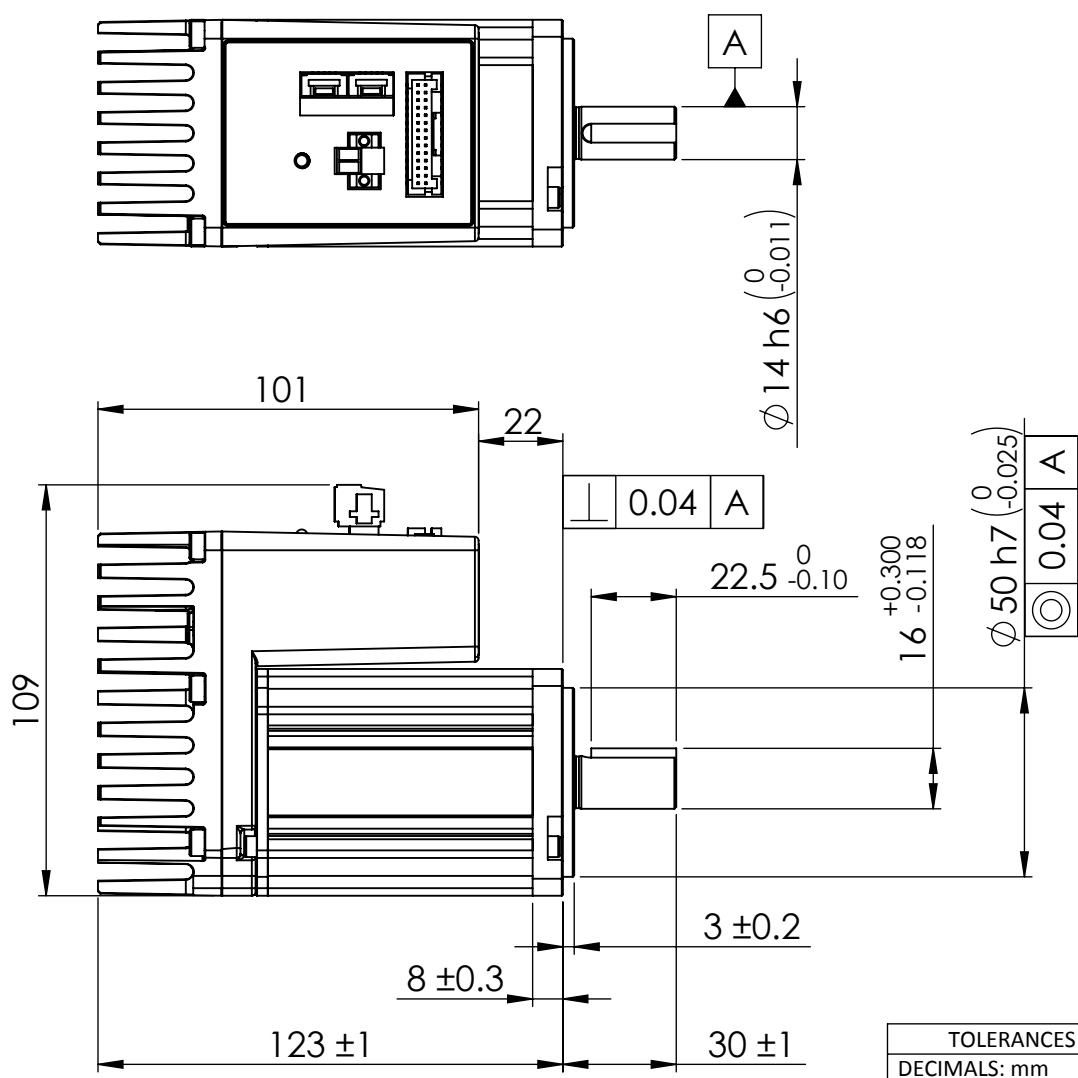

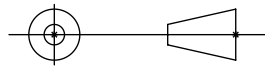


REVISIONS				
ECO #	REV.	DESCRIPTION	DATE	APPROVED
7885	A	Initial Release	3/14/18	J.KORDIK
8157	B	Heatsink Change	3/5/19	J.KORDIK
-	-	-	-	-



- Notes:
1. The key is shipped with motor, but not installed.
 2. DWG# x=C for CANopen x=R for RS485

TOLERANCES		THIRD ANGLE PROJECTION		 Applied Motion Products <small>A MOONS' COMPANY</small>		
DECIMALS: mm X.XXX = ± X.XX = ±0.13 X.X = ±0.25 CHAM. = ±5°				INTEGRATED SERVO MOTOR		
FINISH: -		APPROVALS K.KESLER	DATE 3/5/19			SIZE: 8.5X11"
MATERIAL: -		CHECKED: R.JONEZ	DATE: 3/5/19	SCALE: 1/2		SHEET: 1 OF 1
		APPROVED: J.KORDIK	DATE: 3/5/19			