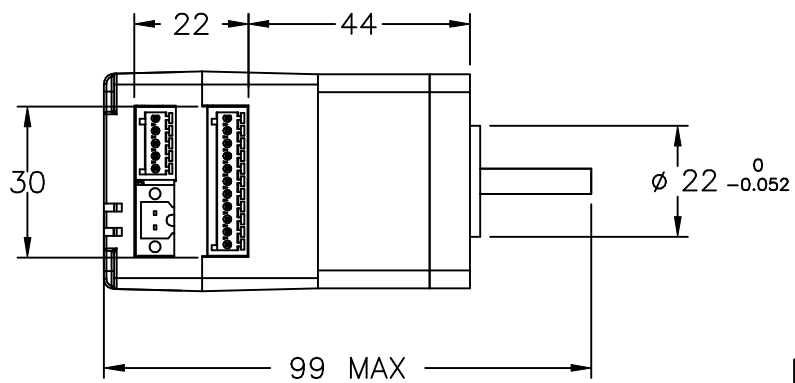
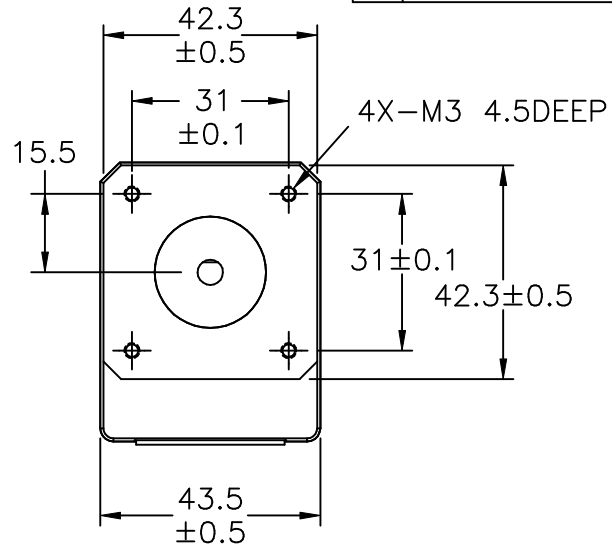
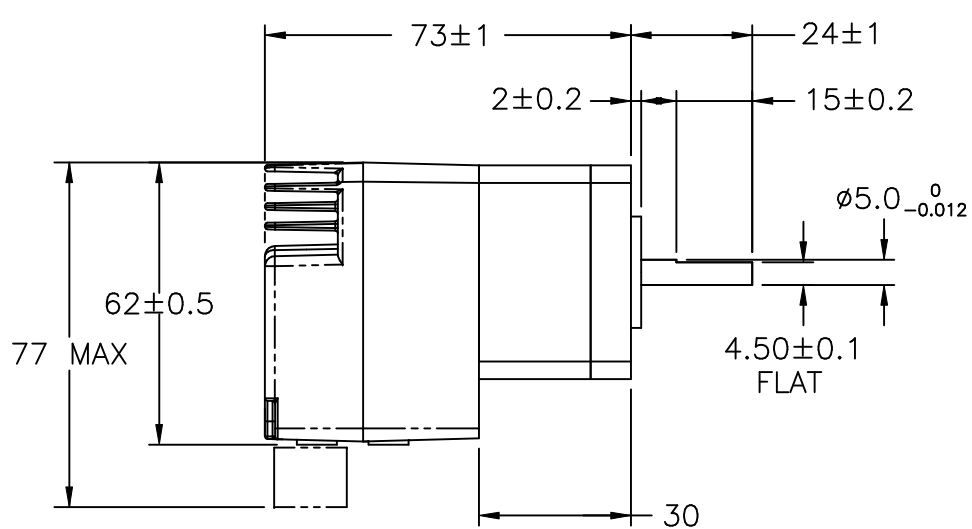


REVISIONS			
REV	DESCRIPTION	DATE	APPROVED
A	INITIAL RELEASE PER ECO 6156	8/4/10	J Kordik
B	ADD TOLERANCES PER ECO 7354	1/19/16	J KORDIK



TOLERANCES DECIMALS: MM X.XXX = ±0.013 X.XX = ±0.25 X.X = ±2.5 ANGLES: MACH. = ±5° CHAM. = ±5°	THIRD ANGLE PROJECTION 			
	APPROVALS DRAWN <i>R. JONEZ</i> CHECKED	DATE <i>8/3/10</i>	MOTOR OUTLINE	
COMPUTER DATA BASE DRAWING	APPROVED	B	DWG NO. STM17S/Q-2X	REV B
		SCALE: NONE		SHEET 1 OF 1