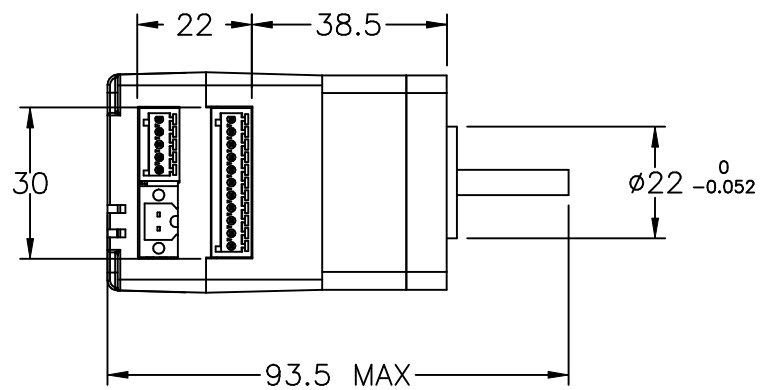
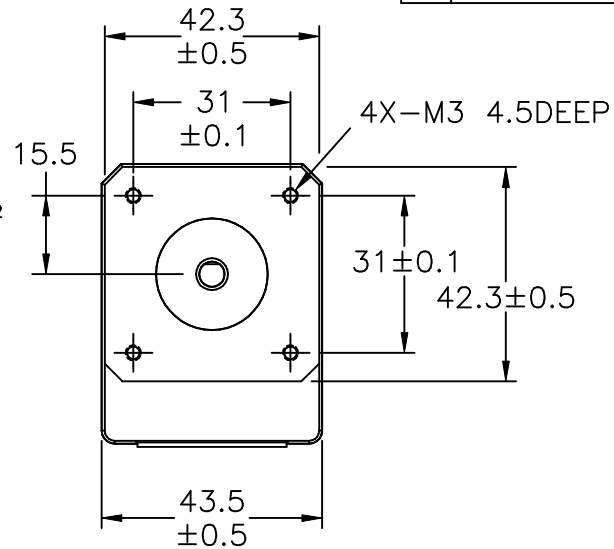
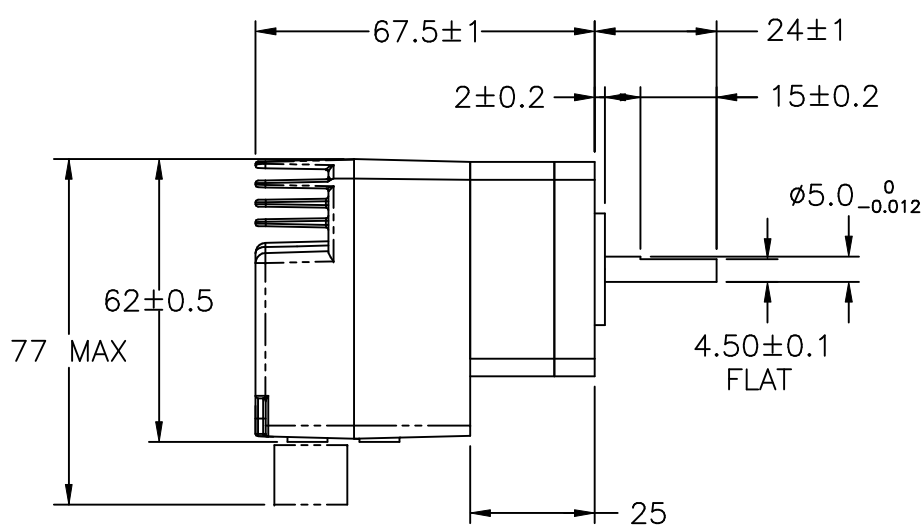
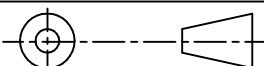



REVISIONS			
REV	DESCRIPTION	DATE	APPROVED
A	INITIAL RELEASE PER ECO 6XXX	8/3/10	
B	ADD TOLERANCES PER ECO 7354	1/19/16	J KORDIK



TOLERANCES DECIMALS: MM X.XXX = ±0.013 X.XX = ±0.25 X.X = ±2.5 ANGLES: MACH. = ±5° CHAM. = ±5°		THIRD ANGLE PROJECTION 		 APPLIED MOTION PRODUCTS, INC.		
COMPUTER DATA BASE DRAWING		APPROVALS DATE DRAWN <i>R. JONEZ</i> 8/3/10 CHECKED APPROVED				MOTOR OUTLINE
				B	DWG NO. STM17S/Q-1X	REV B
				SCALE: NONE		SHEET 1 OF 1