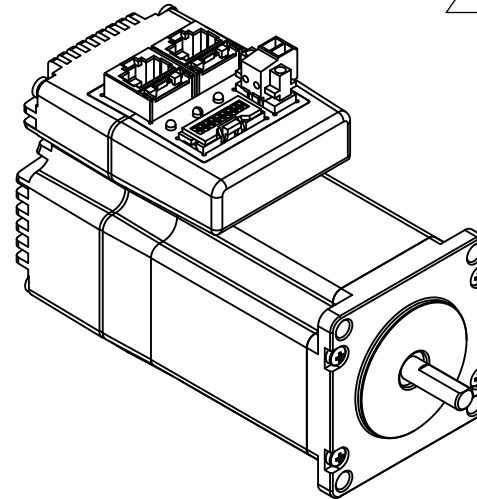
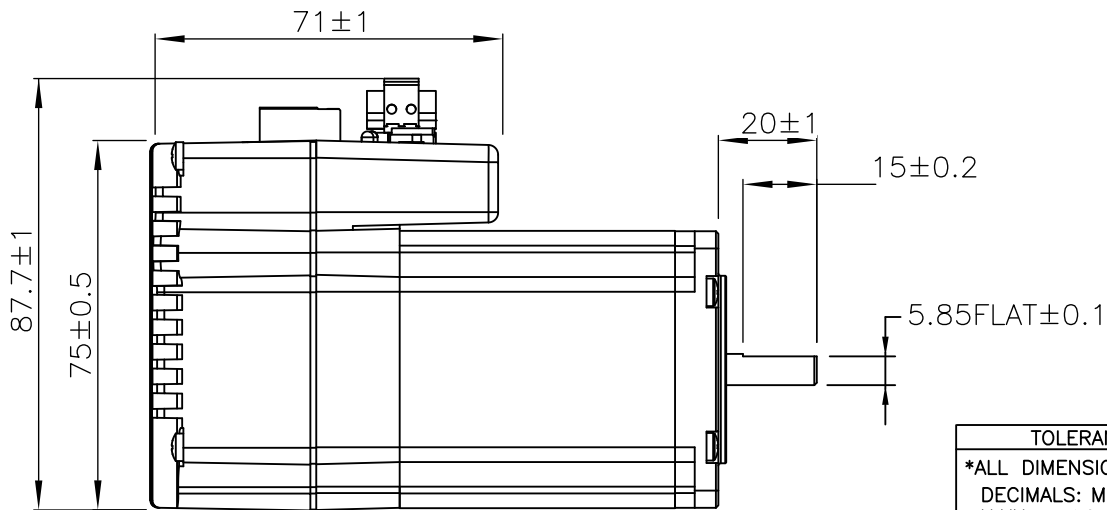
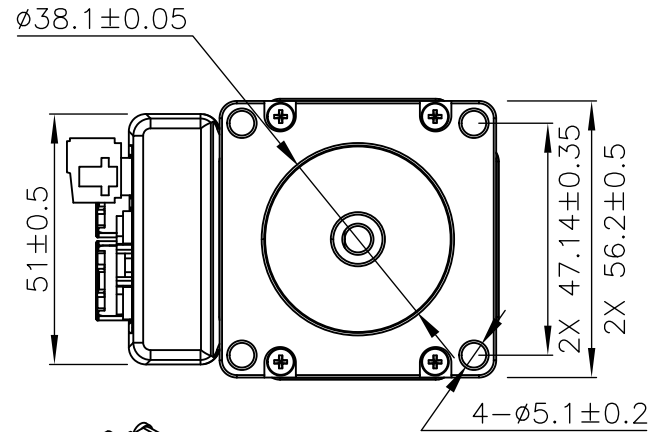
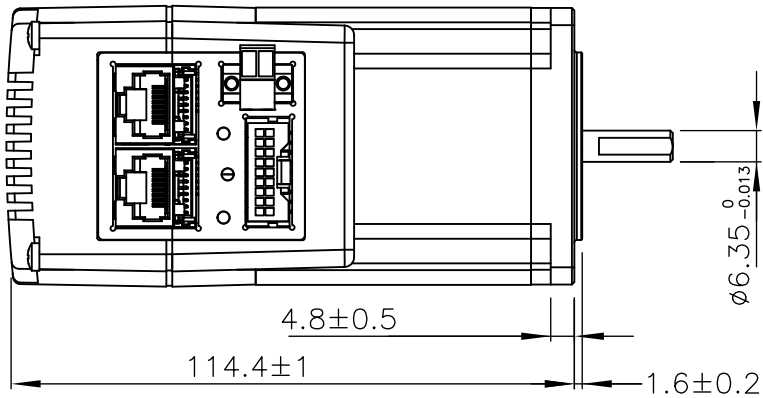

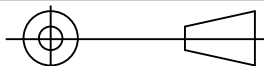


REVISIONS				
ECO NO.	REV	DESCRIPTION	DATE	APPROVED
8244	A	INITIAL RELEASE	5/29/19	LLIU
8255	B	DIMENSION UPDATE	6/4/19	LLIU



MODELS
STM23XIP-3DE
STM23XIP-3DN
STM23XQ-3DE
STM23XQ-3DN

TOLERANCES		THIRD ANGLE PROJECTION		 <b>APPLIED MOTION PRODUCTS, INC.</b>	
*ALL DIMENSIONS IN MM					
DECIMALS: MM X.XX = ±0.13 X.X = ±0.25 ANGLES: MACH. = ±0.5° CHAM. = ±5°		APPROVALS	DATE	B	DWG NO. STM23Xx-3xx
COMPUTER DATA BASE DRAWING		DRAWN K.KESLER	6/4/19		
		CHECKED R.JONEZ	6/4/19	SCALE: NONE	
		APPROVED	-	SHEET 1 OF 1	