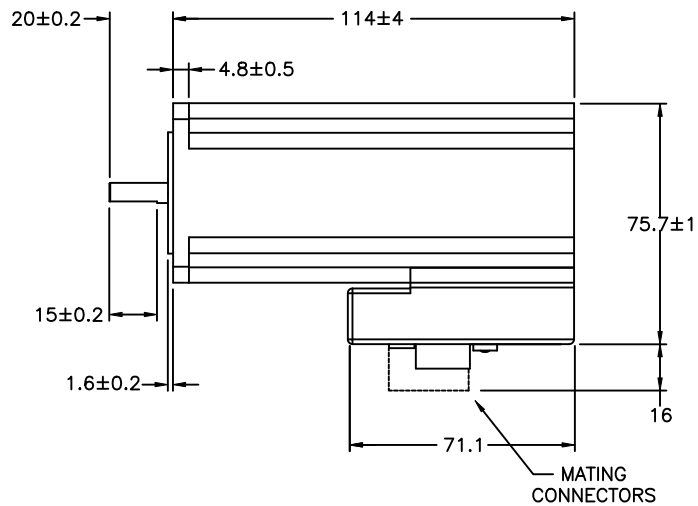
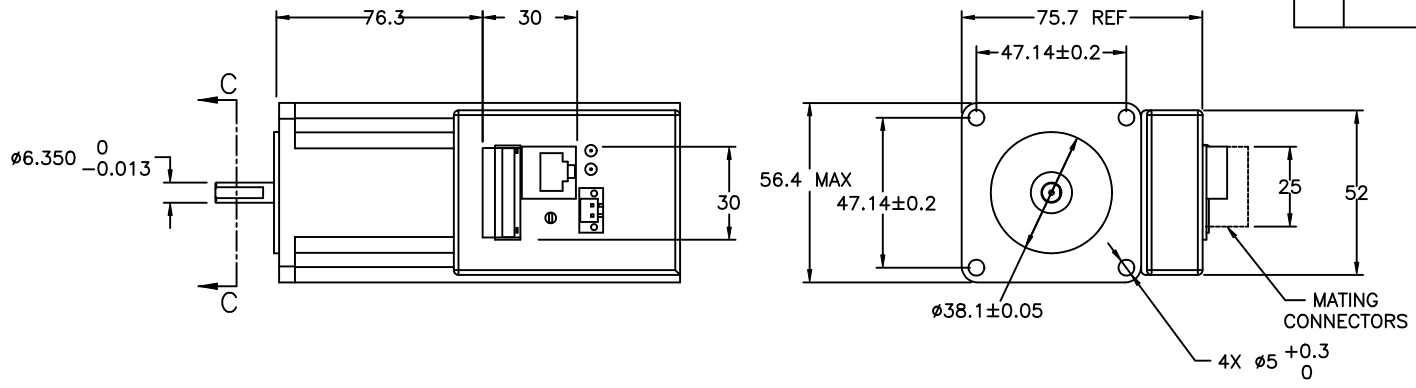
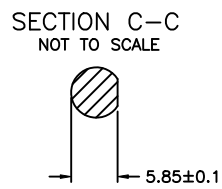
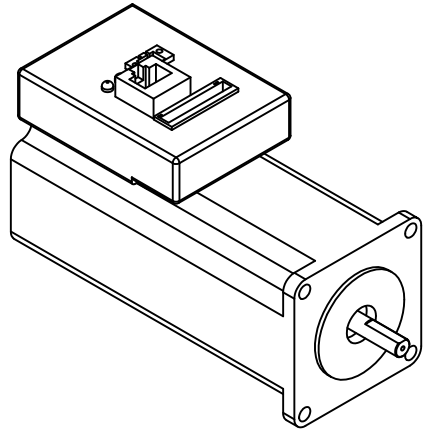


REVISIONS			
REV	DESCRIPTION	DATE	APPROVED
A	INITIAL RELEASE PER ECO 6473	3/22/12	J KORDIK



STM23S-3EN



TOLERANCES		THIRD ANGLE PROJECTION		APPLIED MOTION PRODUCTS, INC.	
DECIMALS: MM (INCH)					
X.XXX = ± .005					
X.XX = ±0.13 (.010)		APPROVALS	DATE	MOTOR OUTLINE	
X.X = ±0.25 (.020)		DRAWN			
ANGLES: MACH. = ±.5° CHAM. = ±5°		CHECKED			
COMPUTER DATA BASE DRAWING		APPROVED		B	DWG NO. STM23S-3EN
					REV A
				SCALE: FULL	SHEET 1 OF 1