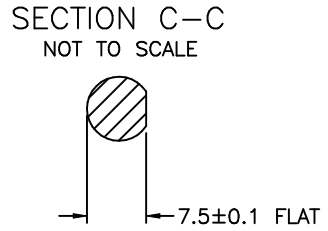
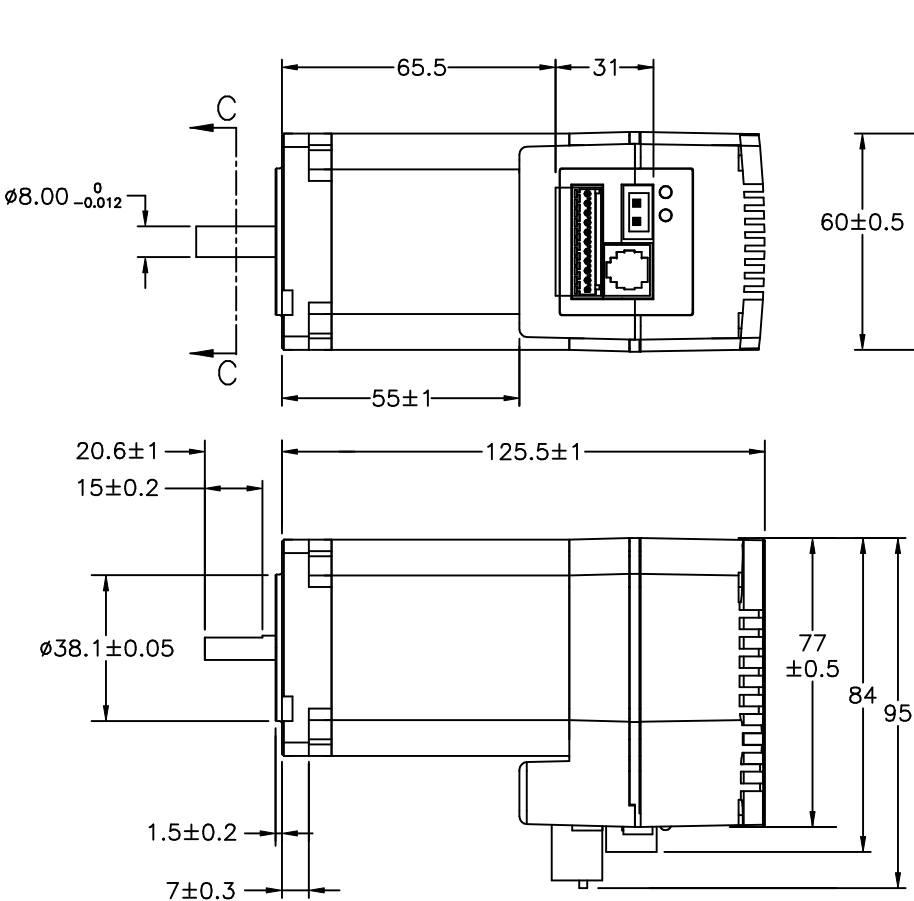


REVISIONS			
REV	DESCRIPTION	DATE	APPROVED
A	INITIAL RELEASE	6/27/12	J KORDIK
B	ADD TOLERANCES PER ECO 7354	1/19/16	J KORDIK
C	MTG HOLE DIA PER ECO 7562	12/20/16	R BARRICK



TOLERANCES DECIMALS: MM X.XXX = ±0.013 X.XX = ±0.25 X.X = ±2.5 ANGLES: MACH. = ±5° CHAM. = ±5°	THIRD ANGLE PROJECTION 		 MOTOR OUTLINE STM24C/IP/Q/QF/S/SF
	APPROVALS DRAWN <i>R. JONEZ</i> CHECKED APPROVED	DATE 5/29/12	
COMPUTER DATA BASE DRAWING	SCALE: NONE	SHEET 1 OF 1	REV C